

TECHNICAL SPECIFICATIONS

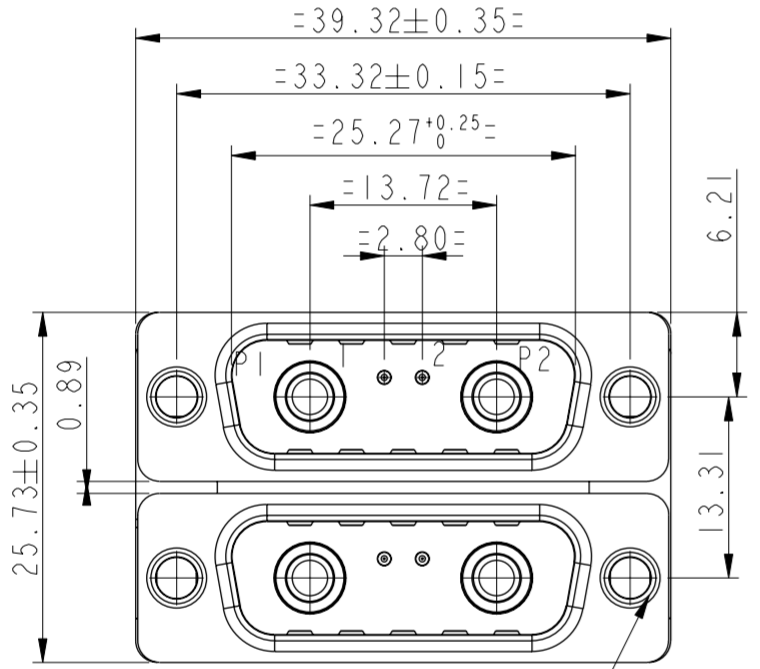
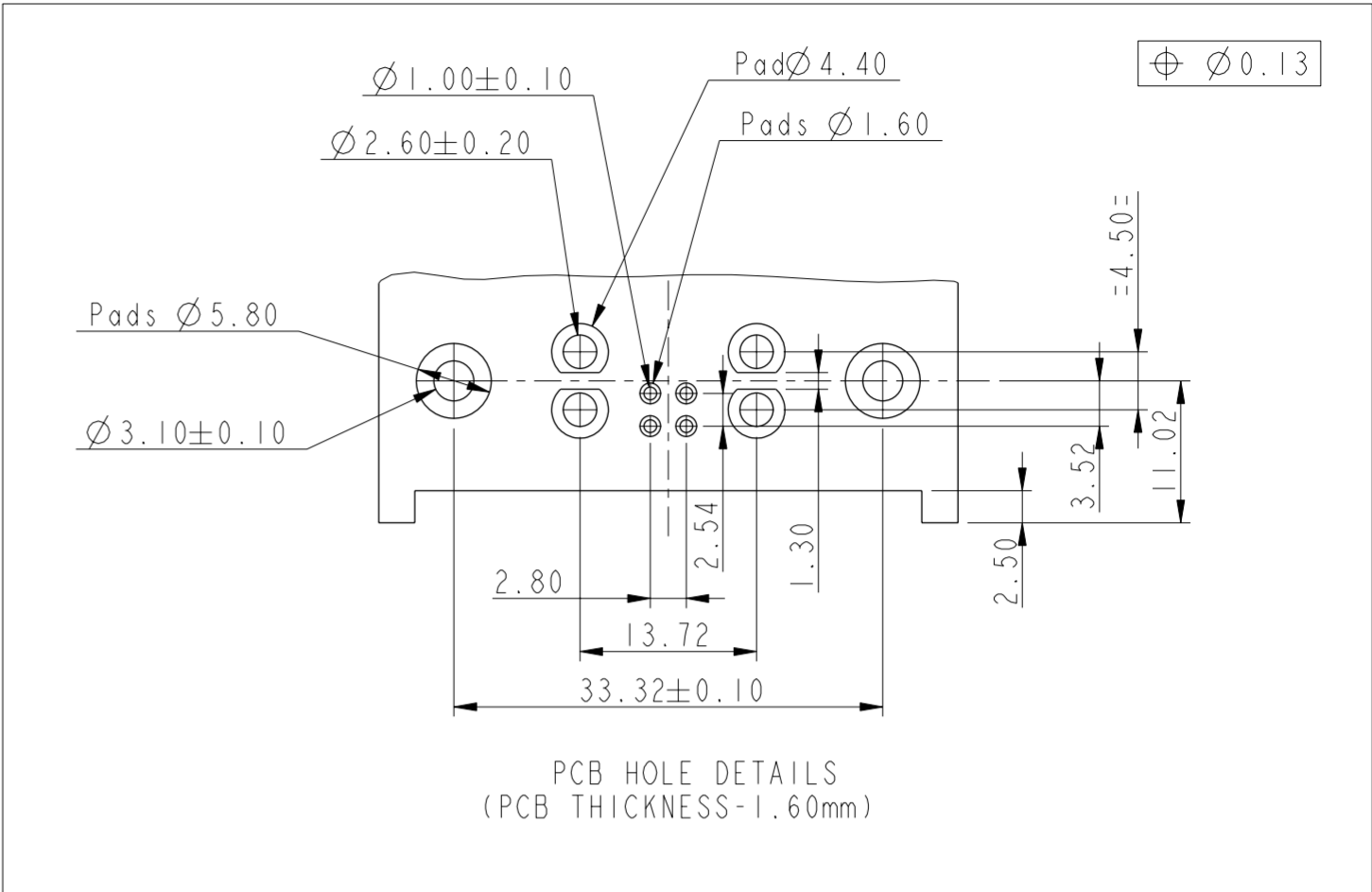
1: MATERIAL:
 INSULATOR : High Temperature Thermoplastics
 CONTACTS : Copper alloy
 SHELLS : Steel with Nickel Plated

2: PLATING:
 CONTACT ACTIVE ZONE : GOLD or Equivalent
 TERMINATION ZONE : TIN over Cu
 METAL BRACKET : BRASS- Nickel
 LIF HARPOON : BRASS- TIN
 CLINCH NUT : BRASS- Nickel

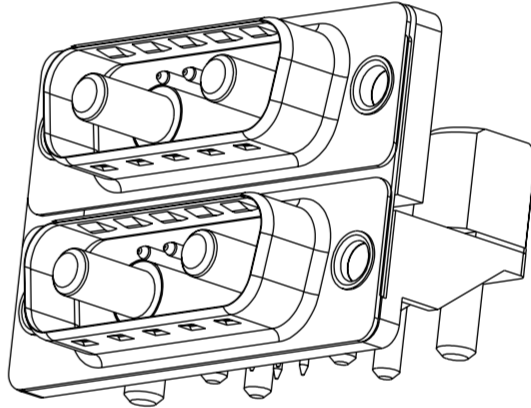
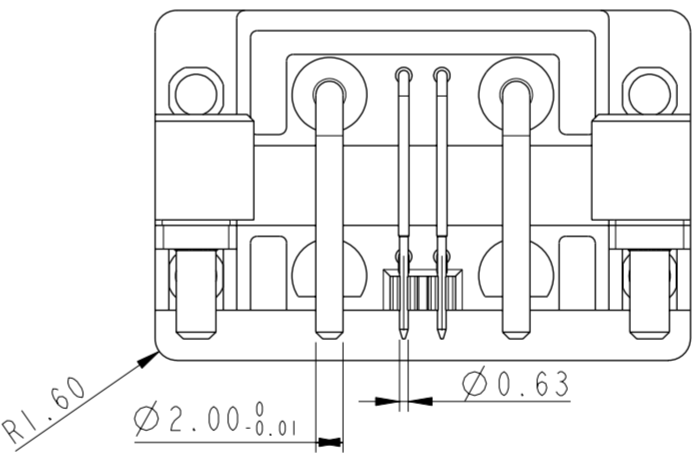
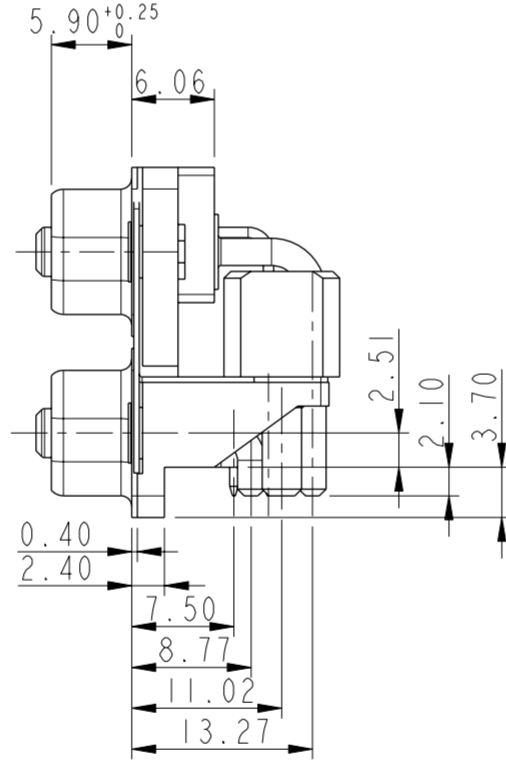
3: ELECTRICAL DATA:
 Current Rating : 48V/24A for Power contact
 : 0.375 A for signal contact
 Test Voltage : 1000V
 Contact Resistance : For Power contacts- $\leq 10\text{m}\Omega$
 : For Signal contacts - $\leq 25\text{m}\Omega$
 Insulation Resistance: 5000M Ohm
 Electrical continuity between shell and harpoon

4: ENVIRONMENTAL CHARACTERISTICS- ROHS Compatible
 Operating temperature : $70^{\circ}\text{C}+30^{\circ}\text{C}$ Temperature rise

5: MECHANICAL LIFE : 200 matings



THREADED INSERT



"This Product Meets European union directives & other country regulations as described in GS-22-008"

The Housing will withstand exposure to 265° peak temperature for 30 sec in a convection, infra-red or vapour reflow oven solder applications

Packing as per GS 14-1104

PART NO. 10070158-00219XLF

X-440UNC Threaded Insert
 L-M3 Threaded Insert

www.fciconnect.com			surface ISO 1302	tolerance std ISO 406 ISO 1101	projection mm
TOLERANCES UNLESS OTHERWISE SPECIFIED					size A2
Dr	NIRMAL.G	2006-10-20	ANGULAR	0.X	±0.30
Eng	NIRMAL.G	2007-11-29	LINEAR	0.XX	±0.10
Chr	ANISH S	2008-02-08	0° ±2°	0.XXX	±0.050
Appr	BIJU K PAUL	2008-02-08	Product family	-D-SUB	Spec ref
Title		DUAL PCB CONNECTOR-48V		dwg no	10070158-002
MicroTCA_MALE PIP _ version				Rev.	C
catalog no		CUSTOMER		sheet 1 of 1	



Copyright FCI