



UCS1201

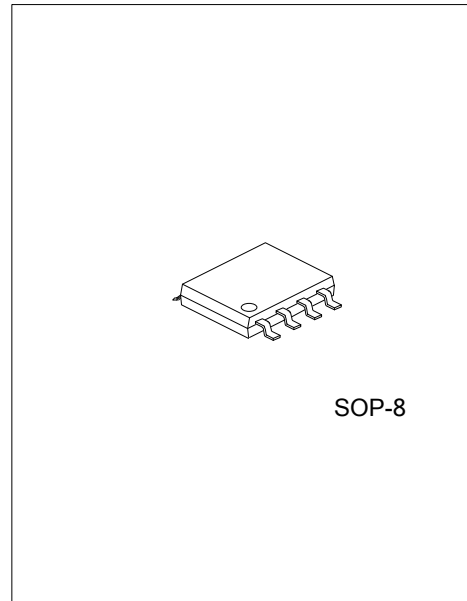
Preliminary

LINEAR INTEGRATED CIRCUIT

LOW VOLTAGE SYNCHRONOUS BUCK CONTROLLER

DESCRIPTION

The UTC **UCS1201** is a low voltage buck controller. It provides the control for a DC-DC power solution producing an output voltage as low as 0.980V over a wide current range. The UTC **UCS1201** operates at a default switching frequency of 200kHz, but switching frequency is user-programmable with an additional resistor between R_{OSC} and ground. This device provides undervoltage lockout protection, soft-start, and is assembled in an SOP-8 package.



FEATURES

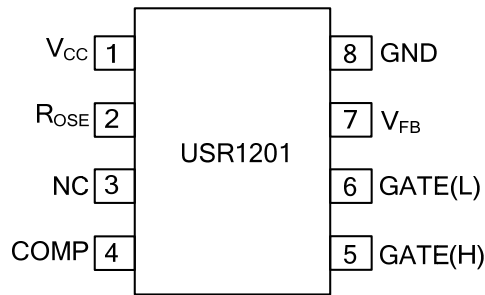
- * 0.980V±1.0% reference voltage
- * 200ns transient response
- * soft-start
- * 200kHz oscillator frequency (No external resistor required)
- * UVLO
- * OVP through synchronous MOSFETs
- * Synchronous N-Channel buck design

ORDERING INFORMATION

Ordering Number		Package	Packing
Lead Free	Halogen Free		
UCS1201L-S08-R	UCS1201G-S08-R	SOP-8	Tape Reel
UCS1201L-S08-T	UCS1201G-S08-T	SOP-8	Tube

<p>USR1201L-S08-R</p> <ul style="list-style-type: none"> (1)Packing Type (2)Package Type (3)Halogen Free 	<ul style="list-style-type: none"> (1) R: Tape Reel, T: Tube (2) S08: SOP-8 (3) L: Lead Free, G: Halogen Free
---	--

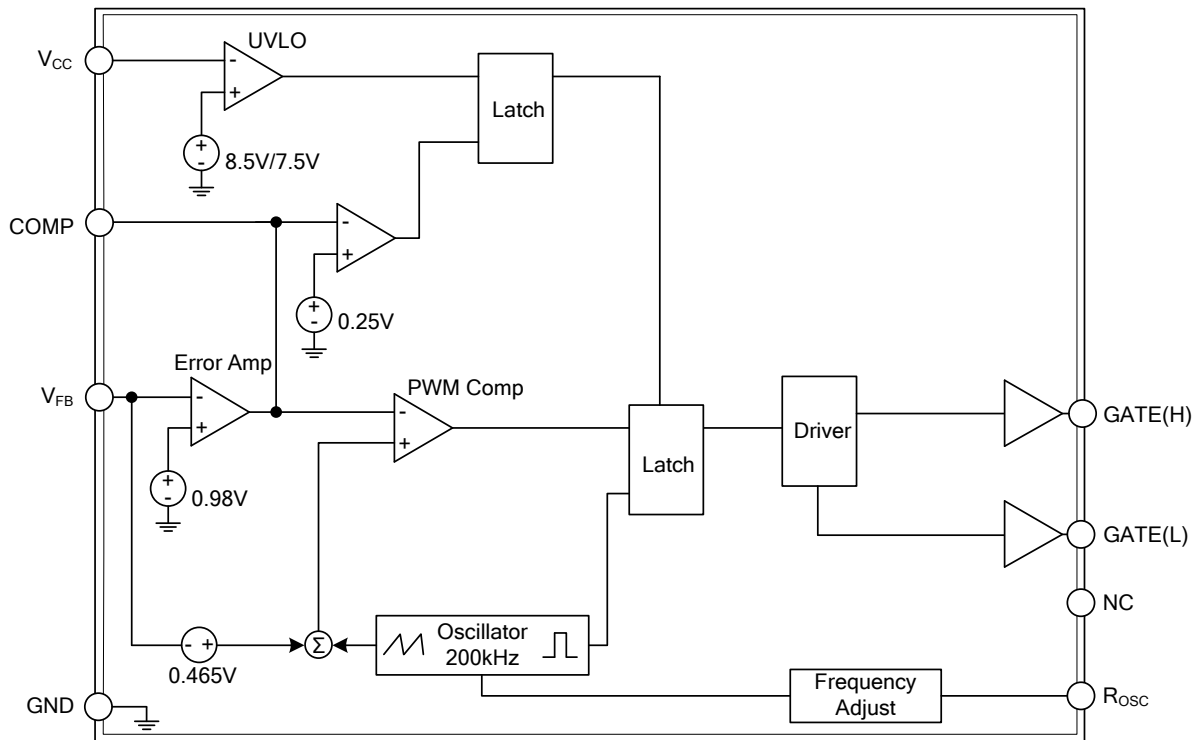
■ PIN CONFIGURATION



■ PIN DESCRIPTION

PIN NO.	PIN NAME	DESCRIPTION
1	V _{CC}	Power supply input.
2	R _{OSC}	Frequency adjust pin.
3	NC	No connect.
4	COMP	Error amp output.
5	GATE(H)	High-side switch FET driver pin.
6	GATE(L)	Low-side synchronous FET driver pin.
7	V _{FB}	Feedback voltage
8	GND	Ground

■ BLOCK DIAGRAM



■ ABSOLUTE MAXIMUM RATING

PARAMETER	SYMBOL	RATINGS	UNIT
Operating Junction Temperature	T_J	150	°C
Storage Temperature Range	T_{STG}	-65~150	°C

Notes: Absolute maximum ratings are those values beyond which the device could be permanently damaged.
Absolute maximum ratings are stress ratings only and functional device operation is not implied.

■ THERMAL DATA

PARAMETER	SYMBOL	RATINGS	UNIT
Junction to Ambient	θ_{JA}	165	°C/W
Junction to Case	θ_{JC}	48	°C/W

■ MAXIMUM RATING

PARAMETER	SYMBOL	V_{MAX}	V_{MIN}	I_{SOURCE}	I_{SINK}
IC Power Input	V_{CC}	20V	-0.5V	N/A	1.5A Peak, 450mA DC
Compensation Capacitor	COMP	6.0V	-0.5V	10mA	10mA
Voltage Feedback Input	V_{FB}	6.0V	-0.5V	1.0mA	1.0mA
Frequency Adjust	R_{OSC}	6.0V	-0.5V	1.0mA	1.0mA
High-Side FET Driver	GATE(H)	20V	-0.5V, -2.0V for 50ns	1.5A Peak, 200mA DC	1.5A Peak, 200mA DC
Low-Side FET Driver	GATE(L)	20V	-0.5V, -2.0V for 50ns	1.5A Peak, 200mA DC	1.5A Peak, 200mA DC
Ground	GND	0.5V	-0.5V	1.5A Peak, 450mA DC	N/A

■ ELECTRICAL CHARACTERISTICS

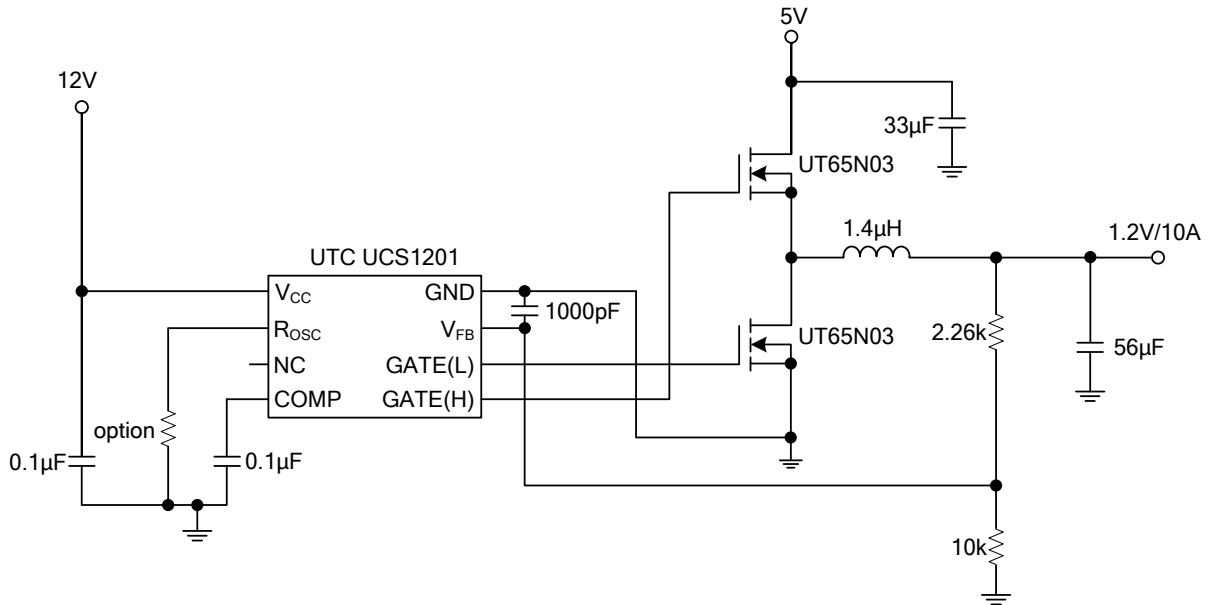
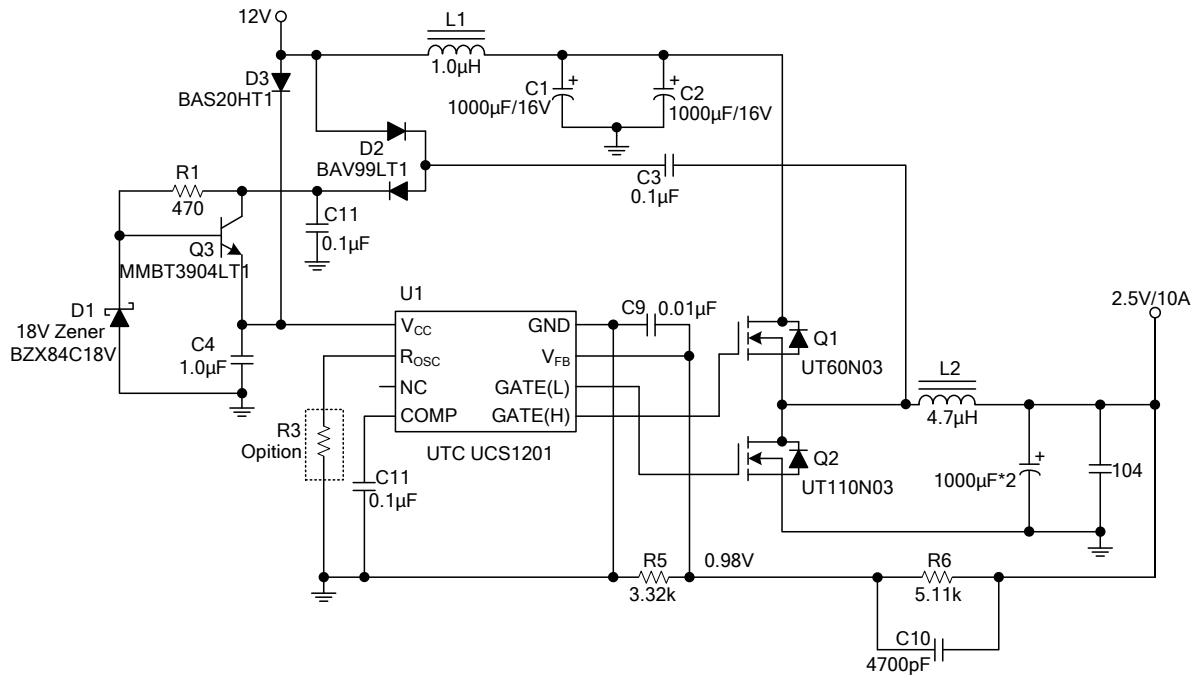
(0°C<T_J<125°C, 9.0V<V_{CC}<20V, C_{GATE(H)}=C_{GATE(L)}=3.3nF, C_{COMP}=0.1μF, R_{OSC}=74kΩ, unless otherwise specified.)
(Note 1)

PARAMETER	SYMBOL	TEST CONDITIONS	MIN	TYP	MAX	UNIT
Error Amplifier						
V _{FB} Bias Current	I _{FB}	V _{FB} =0V		0.4	2.0	μA
COMP Source Current	I _{SOURCE}	COMP=1.5V, V _{FB} =0.8V	15	30	60	μA
COMP Sink Current	I _{SINK}	COMP=1.5V, V _{FB} =1.2V	15	30	60	μA
Reference Voltage	V _{REF}	COMP=V _{FB}	0.970	0.980	0.990	V
		T _J <25°C	0.965	0.980	0.995	V
COMP Max Voltage	V _{COMP-MAX}	V _{FB} =0.8V	2.4	3.1		V
COMP Min Voltage	V _{COMP-MIN}	V _{FB} =1.2V		0.1	0.2	V
COMP Fault Discharge Current at UVLO	I _{CHARGE}	COMP=1.2V, V _{CC} =6.9V	0.5	1.2		mA
COMP Fault Discharge Threshold to Reset UVLO	V _{RESET}		0.1	0.25	0.3	V
GATE(H) and GATE(L)						
Rise Time	t _R	1.0V<GATE(L), GATE(H)<V _{CC} -2.0V, V _{CC} =12V		40	80	ns
Fall Time	t _F	V _{CC} -2.0V<GATE(L), GATE(H)<1.0V, V _{CC} =12V		40	80	ns
GATE(H) to GATE(L) Delay	t _{DH}	GATE(H)<2.0V, GATE(L)>2.0V	40	60	105	ns
GATE(L) to GATE(H) Delay	t _{DL}	GATE(L)<2.0V, GATE(H)>2.0V	40	60	105	ns
Minimum Pulse Width	t _{PULSE}	GATE(X)=4.0V		250		ns
High Voltage (AC)	V _H	Measure GATE(L) or GATE(H) 0.5nF<C _{GATE(H)} =C _{GATE(L)} <10nF, (Note 2)	V _{CC} -0.5	V _{CC}		V
Low Voltage (AC)	V _L	Measure GATE(L) or GATE(H) 0.5nF<C _{GATE(H)} =C _{GATE(L)} <10nF, (Note 2)		0	0.5	V
PWM Comparator						
PWM Comparator Offset	V _{PWM-MIN}	V _{FB} =0V, Increase COMP Until GATE(H) Starts Switching	0.415	0.465	0.525	V
Ramp Max Duty Cycle				80		%
Artificial Ramp		Duty Cycle=50%, R _{OSC} =74kΩ	50	63	75	mV
Transient Response		COMP=1.5V, V _{FB} 20mV Overdrive. (Note 2)		200	300	ns
V _{FB} Input Range		(Note 3)	0		1.4	V
Oscillator						
Switching Frequency	F _{OSC}	R _{OSC} Not Used	170	200	230	kHz
	F _{OSC}	R _{OSC} =74kΩ	240	280	320	kHz
General Electrical Specifications						
V _{CC} Supply Current	I _Q	COMP=0V (No Switching)		9.0	12	mA
Start Threshold		GATE(H) Switching, COMP Charging	8.0	8.5	9.0	V
Stop Threshold		GATE(H) Not Switching, COMP Discharging	7.0	7.5	8.0	V
Hysteresis	V _{HYS}	Start-Stop	0.75	1.0	1.25	V

Notes: 1. Characteristics at temperature extremes are guaranteed via correlation using quality statistical control methods.

2. Guaranteed by design. Not tested in production.

■ TYPICAL APPLICATION CIRCUIT



UTC assumes no responsibility for equipment failures that result from using products at values that exceed, even momentarily, rated values (such as maximum ratings, operating condition ranges, or other parameters) listed in products specifications of any and all UTC products described or contained herein. UTC products are not designed for use in life support appliances, devices or systems where malfunction of these products can be reasonably expected to result in personal injury. Reproduction in whole or in part is prohibited without the prior written consent of the copyright owner. The information presented in this document does not form part of any quotation or contract, is believed to be accurate and reliable and may be changed without notice.