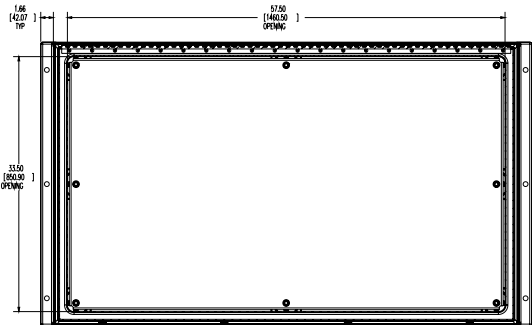
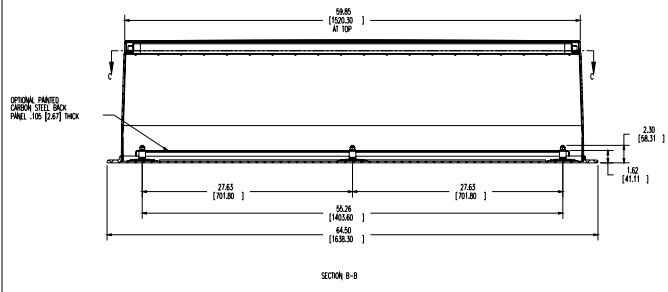
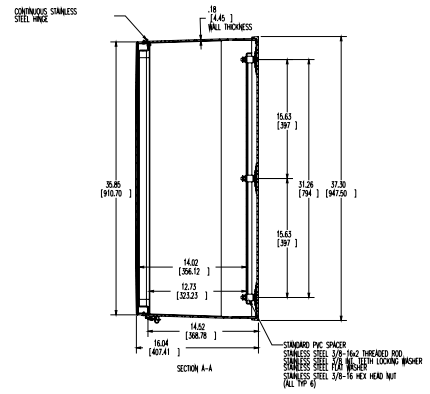
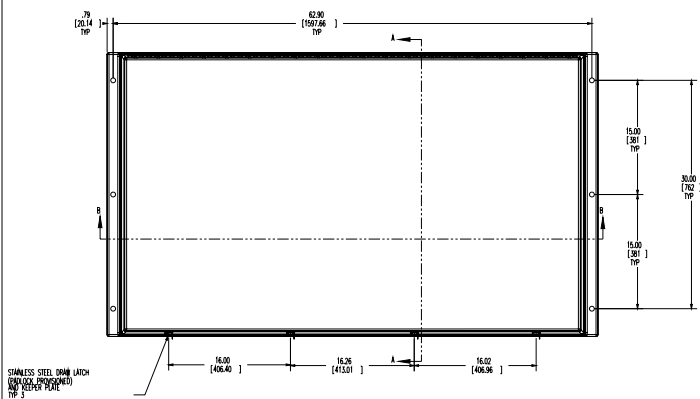


DATE	BY	DESCRIPTION	REV	OK	NO.



SECTION C-C
TOP VIEW WITH LID AND SOCKET REMOVED

MATERIAL:
BOX - 601 - CORU. FIBERGLASS REIN.
COVER - 602 - CORU. FIBERGLASS REIN.
ESM GARRET SEA

PART No. PJW603614L
for more information visit
www.hammitg.com
Data subject to change without notice
Drawing Not to Scale