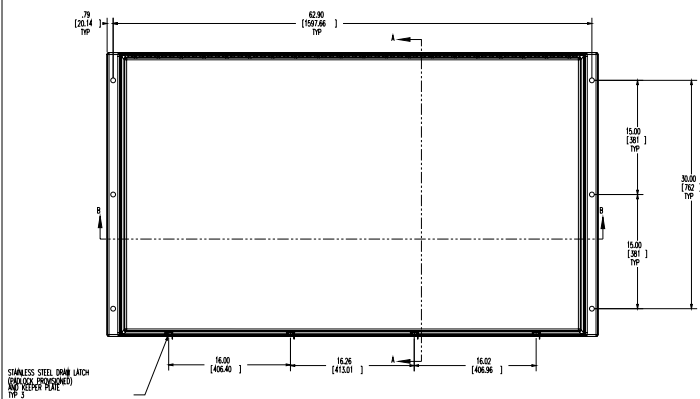
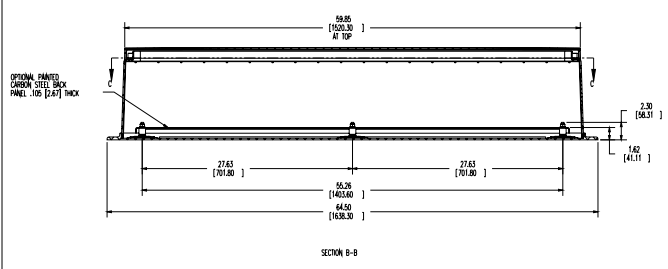
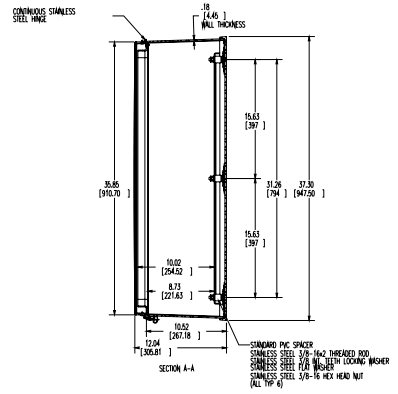


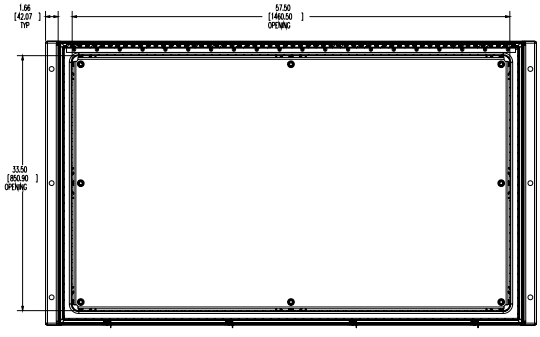
DATE	DWG	DESCRIPTION	BY	CHK	NO.



STAINLESS STEEL DRAW LATCH (SEE CALL OUT SPECIFICATIONS) TYP 3 SEE PLAN VIEW




SECTION B-B



SECTION C-C
 TOP VIEW WITH LO AND GSEET REMOVED

BOX - GEL-COAT FIBREGLASS RESIN
 COVER - GEL-COAT FIBREGLASS RESIN
 FLOW GASKET - SCA

 PART No. PJW603610L
 for more information visit
www.hammitg.com
 Data subject to change without notice
 Drawing Not to Scale