



## 75 Ohm Mini SMB Jack to Mini SMB Jack Adapter

### TECHNICAL DATA SHEET

PE9608

#### 75 Ohm Mini SMB Jack to Mini SMB Jack Adapter

##### Configuration

Connector 1	Mini SMB Jack
Impedance 1	75 Ohms
Connector Specification 1	MIL-STD-348A
Connector 2	Mini SMB Jack
Impedance 2	75 Ohms
Connector Specification 2	MIL-STD-348A
Adapter Design	Standard
Body Style	Straight

##### Mechanical Specifications

###### Size

Length, in [mm]	0.835 [21.21]
Width/Dia., in [mm]	0.28 [7.11]

###### Connector 1

Type	Mini SMB Jack
Inner Conductor Material and Plating	Brass, Gold
Inner Conductor Plating Specification	50µ in. minimum
Body Material and Plating	Brass, Gold
Body Plating Specification	3µ in. minimum
Dielectric Type	Teflon

###### Connector 2

Type	Mini SMB Jack
Inner Conductor Material and Plating	Brass, Gold
Inner Conductor Plating Specification	50µ in. minimum
Body Material and Plating	Brass, Gold
Body Plating Specification	3µ in. minimum
Dielectric Type	Teflon

##### Compliance Certifications (visit [www.Pasternack.com](http://www.Pasternack.com) for current document)

RoHS Compliant	Yes
----------------	-----

##### Plotted and Other Data

Notes:	Values at 25 °C, sea level
--------	----------------------------

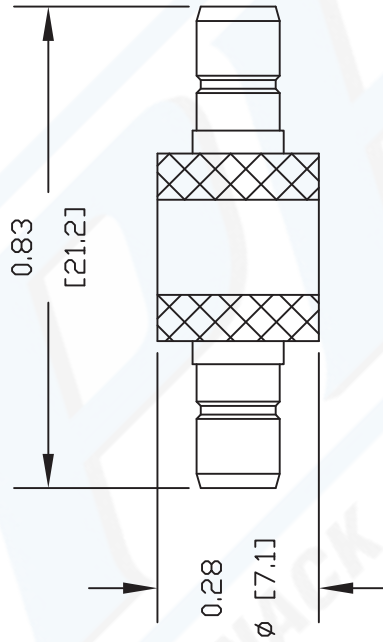
URL: <http://www.pasternack.com/mini-smb-jack-mini-smb-jack-straight-adapter-pe9608-p.aspx>

75 Ohm Mini SMB Jack to Mini SMB Jack Adapter from Pasternack Enterprises has same day shipment for domestic and International orders. Our RF, microwave and fiber optic products maintain a 99% availability and are part of the broadest selection in the industry.

The information contained in this document is accurate to the best of our knowledge and representative of the part described herein. It may be necessary to make modifications to the part and/or the documentation of the part, in order to implement improvements. Pasternack reserves the right to make such changes as required. Unless otherwise stated, all specifications are nominal.

# PE9608 CAD Drawing

## 75 Ohm Mini SMB Jack to Mini SMB Jack Adapter



NOTES:  
 1. UNLESS OTHERWISE SPECIFIED ALL DIMENSIONS ARE NOMINAL.  
 2. ALL SPECIFICATIONS ARE SUBJECT TO CHANGE WITHOUT NOTICE AT ANY TIME.  
 3. DIMENSIONS ARE IN INCHES [mm].

DWG TITLE  
**PE9608**

**PASTERNAK ENTERPRISES, INC.**  
 P O BOX 16759, IRVINE, CA 92623  
 PHONE (949) 261-1920 FAX (949) 261-7451  
 WEB ADDRESS: [www.pasternack.com](http://www.pasternack.com)  
 E-MAIL ADDRESS: [sales@pasternack.com](mailto:sales@pasternack.com)  
**COAXIAL & FIBER OPTICS**



REV. -	FSCM NO. 53919	CAD FILE 111502	SCALE N/A	SIZE A	127
--------	----------------	-----------------	-----------	--------	-----