



OVM7695 VGA product brief



Industry's Most Compact VGA CameraCubeChip™ for Front-Facing Cameras in Mobile Devices



available in
a lead-free
package

The OVM7695 is an ultra compact VGA CameraCubeChip™ designed specifically to meet the performance and manufacturing requirements of front-facing camera applications for next-generation mobile devices. The only VGA camera using backside illumination (BSI) pixel technology, the reflowable OVM7695 is a high-performance, all-in-one complete camera solution with a module size of 2.4 x 2.4 x 2.3 mm.

The OVM7695 offers an easy-to-use front-facing camera solution that requires minimal assembly and tuning effort. This dramatically simplifies design, integration and manufacturing of mobile phone cameras, thus reducing inventory risk and lowering development costs.

The 1/13-inch OVM7695 is built on an optimized 1.75-micron OmniBSI+™ pixel, offering improved sensitivity and image reproduction to deliver optimal

performance in difficult lighting conditions. The OVM7695 captures high-quality VGA video at 30 frames per second and provides full-frame, sub-sampled and cropped images in various formats through the Serial Camera Control Bus (SCCB) interface.

It supports all required image processing functions, including exposure control, gamma, white balance, color saturation and noise and defective pixel canceling. It uses OmniVision's proprietary sensor technology to improve image quality by reducing or eliminating common lighting and electrical sources of image contamination to produce a clean, fully stable color image.

Find out more at www.ovt.com.

Applications

- Cellular and Picture Phones

Product Features

- support image sizes: VGA (640x480), QVGA (320x240), QQVGA (160x120), and HF (640x20)
- support output formats: YUV422 and RAW 8 RGB through MIPI, YUV422 and RAW 10 RGB through OmniVision's proprietary SPI
- on-chip phase lock loop (PLL)
- built-in 1.5V regulator for digital block
- capable of maintaining register values at software power down
- programmable controls for frame rate, mirror and flip, AEC/AGC, and windowing
- support horizontal and vertical sub-sampling
- automatic image control functions:
 - automatic exposure control (AEC),
 - automatic white balance (AWB)
 - automatic black level calibration (ABLC)
- image quality controls: defect pixel correction and lens shading correction
- support black sun cancellation
- standard serial SCCB interface
- I/O tri-state configurability and programmable polarity

OVM7695



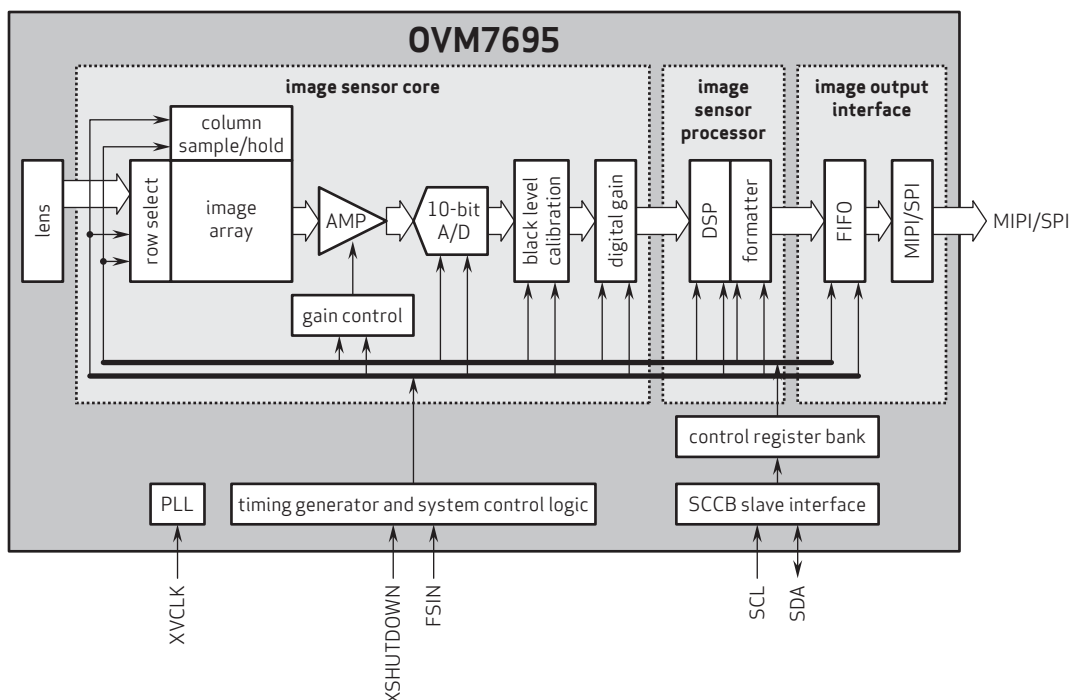
Ordering Information

- OVM7695-RAEA** (color, lead free, CameraCubeChip™ with black coating)
- OVM7695-RYEA** (color, lead free, CameraCubeChip™ with metal can)

Product Specifications

- active array size:** 656 x 496
- power supply:**
 - core: 1.5 VDC ±5% (internal regulator)
 - analog: 2.8V ±5%
 - I/O: 2.8V, 1.8V
- power requirements:**
 - I_{DD-A}: 15 mA
 - I_{DD-I/O}: 20 mA
 - XSHUTDOWN: 5 µA
- temperature range:**
 - operating: -30°C to 70°C junction temperature
 - stable image: 0°C to 50°C junction temperature
- output formats:** YUV422, RAW RGB
- diagonal field of view (FOV):** 61°
- f no.:** 2.7
- focal length:** 1.21 mm
- input clock frequency:** 6 - 27 MHz
- scan mode:** progressive
- maximum image transfer rate:**
 - VGA (640x480): 30 fps
 - QVGA (320x240): 60 fps
 - QQVGA (160x120): 120 fps
 - HF (640x20): 120 fps
- sensitivity:** 1200 mV/lux-sec
- shutter:** rolling shutter
- max S/N ratio:** 35.9 dB
- dynamic range:** 66.7 dB @ 16x gain
- maximum exposure interval:** 536 x t_{row}
- pixel size:** 1.75 µm x 1.75 µm
- dark current:** 10 e⁻/s @ 50°C junction temperature
- image area:** 1148 µm x 868 µm
- package dimensions (including ball height):**
 - RAEA: 2420 x 2350 x 2325 µm
 - RYEA: 3000 x 2450 x 2370 µm

Functional Block Diagram



4275 Burton Drive
Santa Clara, CA 95054
USA

Tel: + 1 408 567 3000
Fax: + 1 408 567 3001
www.ovt.com

OmniVision reserves the right to make changes to their products or to discontinue any product or service without further notice. OmniVision and the OmniVision logo are registered trademarks of OmniVision Technologies, Inc. CameraChip, OmniBSI-2, OmniBSI+ and CameraCubeChip are trademarks of OmniVision Technologies, Inc. All other trademarks are the property of their respective owners.