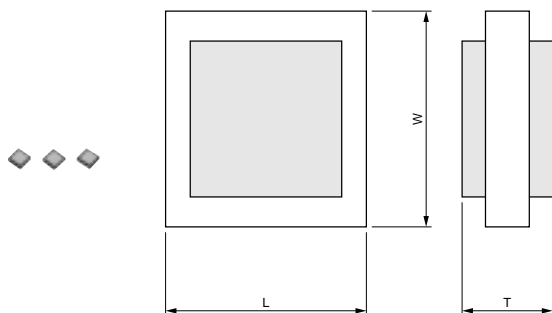


● High Dielectric Constant Type



Part Number	Capacitance at 25C° (pF)	Temperature Coefficient	Rated Voltage (Vdc)
CLB0A	2.0 to 12	±10%	100
CLB0B	3.3 to 15	±10%	100
CLB0C	3.9 to 18	±10%	100
CLB0D	5.1 to 30	±10%	100
CLB0E	8.2 to 43	±10%	100
CLB0H	47 to 56	±10%	100
CLB05	5.6 to 43	±10%	100
CLB0G	47 to 68	±10%	100
CLB0F	10 to 75	±10%	100
CLB1A	82 to 120	±10%	100
CLB0J	15 to 110	±10%	100
CLB1B	120 to 130	±10%	100
CLB09	16 to 130	±10%	100
CLB1E	150 to 180	±10%	100
CLB1C	33 to 270	±10%	100
CLB1G	68 to 360	±10%	100
CLB2C	390	±10%	100
CLB1H	62 to 470	±10%	100
CLB2L	510 to 750	±10%	100
CLB2E	91 to 750	±10%	100
CLB3G	820 to 1200	±10%	100
CLB0A	27 to 33	+30,-80%	100
CLB0B	36 to 39	+30,-80%	100
CLB0C	43 to 51	+30,-80%	100
CLB0D	62 to 82	+30,-80%	100
CLB0E	91 to 120	+30,-80%	100
CLB0H	130 to 150	+30,-80%	100
CLB05	75 to 130	+30,-80%	100
CLB0G	150 to 200	+30,-80%	100
CLB0F	130 to 220	+30,-80%	100
CLB1A	240 to 360	+30,-80%	100
CLB0J	200 to 300	+30,-80%	100
CLB1B	330 to 390	+30,-80%	100
CLB09	200 to 390	+30,-80%	100
CLB1E	430 to 560	+30,-80%	100
CLB1C	430 to 750	+30,-80%	100
CLB1G	820 to 1000	+30,-80%	100
CLB2C	1100 to 1300	+30,-80%	100
CLB1H	750 to 1300	+30,-80%	100
CLB2L	1500 to 1800	+30,-80%	100
CLB2E	1200 to 2200	+30,-80%	100
CLB3G	2400 to 3000	+30,-80%	100
CLB0A	36 to 56	+30,-90%	100

Continued on the following page.

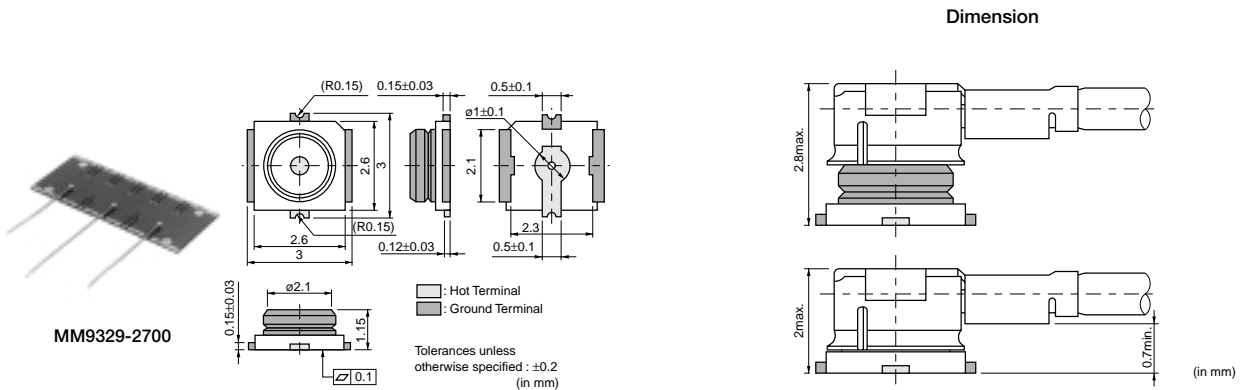
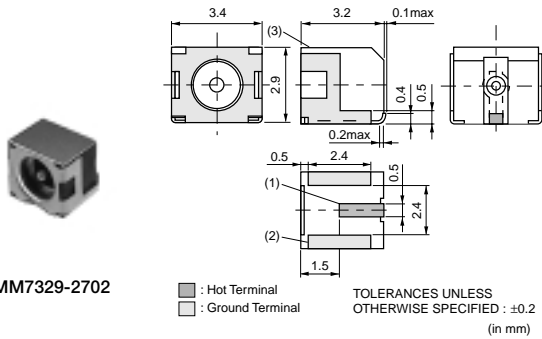
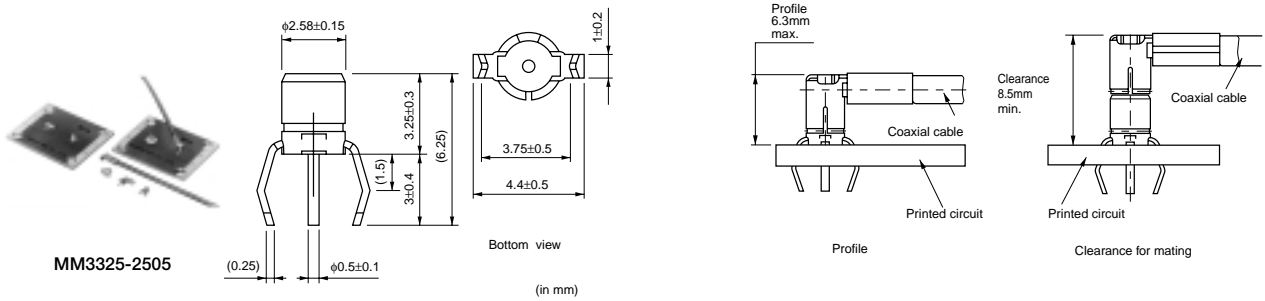
Continued from the preceding page.

Part Number	Capacitance at 25°C ^o (pF)	Temperature Coefficient	Rated Voltage (Vdc)
CLB0D	91 to 150	+30,-90%	100
CLB05	130 to 220	+30,-90%	100
CLB0F	220 to 390	+30,-90%	100
CLB0J	330 to 560	+30,-90%	100
CLB09	390 to 680	+30,-90%	100
CLB1C	820 to 1300	+30,-90%	100
CLB1H	1500 to 2700	+30,-90%	100
CLB2E	2400 to 4300	+30,-90%	100

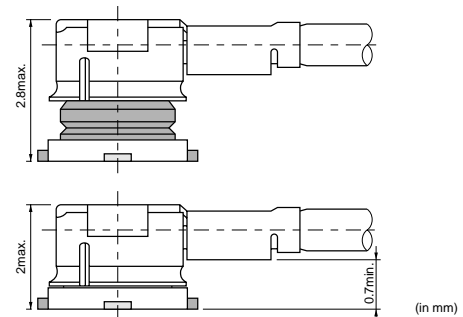
Capacitance value steps are in accordance with EIA E24 steps.
Please refer to LxW size in Global Part Numbering guidance page.

Coaxial Connectors

Dimensions



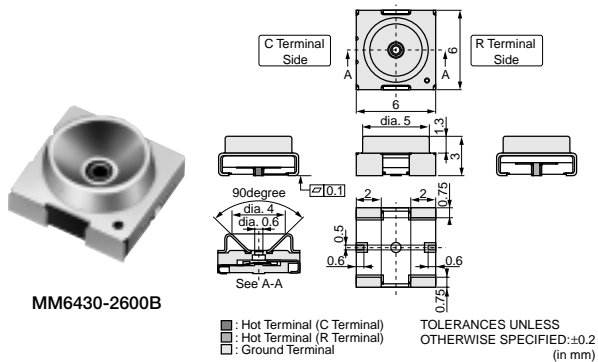
Dimension



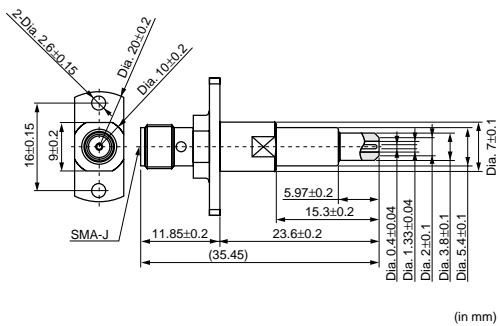
Part Number	Rated Voltage (V)	Frequency Rating (GHz)	Temperature Range	VSWR
MM3325-2505B	250	DC - 4.0	-40~+90°C	1.2 max.
MM3325-2507B	250	DC - 4.0	-40~+90°C	1.2 max.
MM3326-2506B	250	DC - 2.0	-40~+90°C	1.2 max.
MM7329-2700B	250	DC - 3.0	-40~+90°C	1.2 max.(DC~2GHz)
MM7329-2702B	250	DC - 3.0	-40~+90°C	1.3 max.
MM9329-2700B	250	DC - 6.0	-40~+90°C	1.2 max.(DC~3GHz)
MXFG76 TYPE	250	DC - 3.0	-40 to +90 degree C	1.3 max.
MXFK81 TYPE	250	DC - 3.0	-40 to +90 degree C	1.3 max.
MXTK88 TYPE	250	DC - 6.0	-40 to +90 degree C	1.2 max. (DC to 3GHz)
MXTK92 TYPE	250	DC - 6.0	-40 to +90 degree C	1.2 max. (DC to 3GHz)
MXYH62 TYPE	250	DC - 4.0	-40 to +90 degree C	1.2 max.
MXYH63 TYPE	250	DC - 4.0	-40 to +90 degree C	1.2 max.
MXYH75 TYPE	250	DC - 4.0	-40 to +90 degree C	1.2 max.

Impedance : 50 ohm

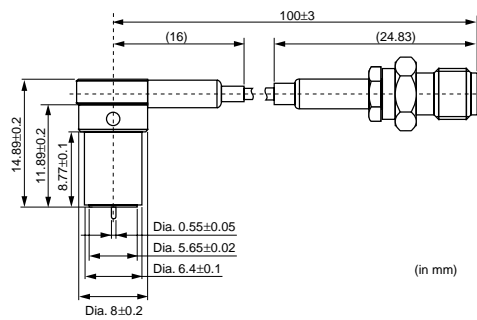
Coaxial Connectors with Switches



Measurement (1)

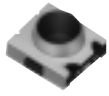


Measurement (2)

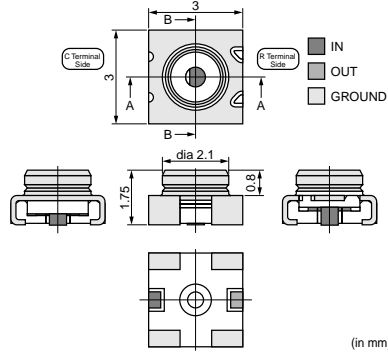


Continued on the following page.

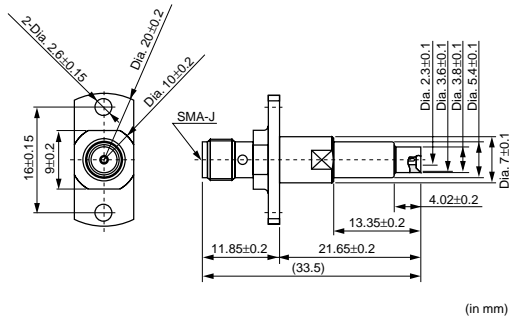
Continued from the preceding page.



MM8430-2600B

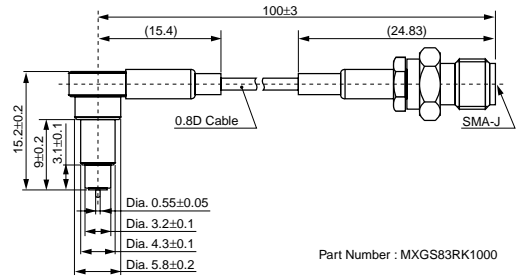


Measurement (1)



(in mm)

Measurement (2)



Part Number : MXGS83RK1000

(in mm)

Part Number	Rated Voltage (Vrms)	Frequency Rating (GHz)	Temperature Range	VSWR
MM6430-2600B	250 max.	DC to 3	-40 to +90 degree C	1.2 max.
MM8430-2600B	250 max.	DC to 6	-40 to +90 degree C	1.2 max.

Impedance : 50 ohm