



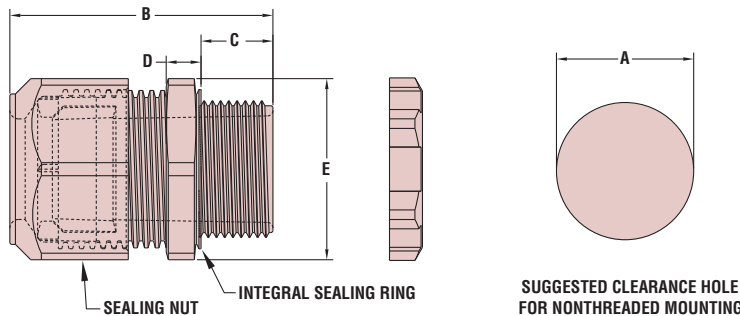
Heyco® -Tite Liquid Tight Cordgrips
Straight-Thru, PG Hubs with Integral Sealing Ring
The Ultimate in Liquid Tight Strain Relief Protection



CABLE DIA. RANGE				PART NO.		DESC.	UL or RA	PART DIMENSIONS									
Minimum		Maximum		Black	Gray			A Clearance Hole Dia.		B Max. O.A. Length		C Thread Length		D Wrenching Nut Thk.		E Wrenching Nut Flat Size	
in.	mm.	in.	mm.				in.	mm.	in.	mm.	in.	mm.	in.	mm.	in.	mm.	
.065	1,7	.220	5,6	M3444	M3445	RLTCG 7	RA	.492	12,5	1.16	29,5	.32	8,1	.21	5,3	.63	16,0
.115	2,9	.250	6,4	M3207	M3208	LTCG 7											
.065	1,7	.187	4,7	M3446	M3447	RLTCG 9	RA	.599	15,2	1.25	31,8	.32	8,1	.21	5,3	.83	21,0
.105	2,7	.312	7,9	M3210	M3211	LTCG 9											
.069	1,8	.250	6,6	M3448	M3449	RLTCG 11	RA	.733	18,6	1.48	37,6	.38	9,7	.21	5,3	.94	23,9
.230	5,8	.395	10,0	M3213	M3214	LTCG 11											
.095	2,4	.260	6,6	M4500	M4501	RLTCG 13.5	UL	.804	20,4	1.50	38,1	.41	10,4	.21	5,3	.98	24,9
.170	4,3	.450	11,4	M3216	M3217	LTCG 13.5											
.180	4,6	.440	11,2	M4502	M4503	RLTCG 16	UL	.886	22,5	1.68	42,7	.44	11,2	.25	6,4	1.06	26,9
.260	5,8	.546	13,9	M3219	M3220	LTCG 16											
.250	6,4	.485	12,3	M3454ST	M3455ST	RLTCG 21 ST	UL	1.115	28,3	1.80	45,7	.43*	10,9	.25	6,4	1.30	33,0
.485	12,3	.709	18,0	M3222ST	M3223ST	LTCG 21 ST											
.250	6,4	.485	12,3	M3454	M3455	RLTCG 21	UL	1.115	28,3	1.89	48,0	.52	13,2	.25	6,4	1.30	33,0
.485	12,3	.709	18,0	M3222	M3223	LTCG 21											
.490	12,4	.787	20,0	M4504	M4505	RLTCG 29	UL	1.470	37,7	2.23	56,6	.58	14,7	.30	7,6	1.73	43,9
.590	15,0	1.000	25,4	M3225	M3226	LTCG 29											
.787	20,0	1.020	25,9	M3206	M3205	RLTCG 36	UL	1.875	47,6	2.72	69,1	.47	11,9	.30	7,6	2.05	52,1
.865	22,0	1.260	32,0	M3204	M3203	LTCG 36											
1.000	25,4	1.240	31,5	M3218	M3215	RLTCG 42	UL	2.130	54,1	2.50	63,5	.45	11,4	.36	9,1	2.48	63,0
1.230	31,2	1.500	38,1	M3212	M3209	LTCG 42											
1.160	29,5	1.350	34,3	M3283	M3284	RLTCG 48	UL	2.340	59,4	2.63	66,7	.49	12,4	.42	10,7	2.75	69,9
1.450	36,8	1.730	44,0	M3281	M3282	LTCG 48											

Standard colors black and gray.

*Note: .43" (10,9 mm) Shorty LTCG Thread Length.



- Integral Sealing Ring ensures a superior seal at the clearance or threaded mounting hole location, every time.
- Widest range of approved cable diameters.
- IP 68 rated.
- Approved for **NEMA 6 and 6P** applications.
- Ratchet design of sealing nut assembly provides superior anti-vibration protection and ensures a firm grip on the cable.
- Acme threads on body prevent skipping and speed installation.
- All nylon construction with Buna N or TPE sealing gland resists salt water, weak acids, gasoline, alcohol, oil, grease, and common solvents. (This feature is not assessed by UL.)
- Multiple sizes for flexible cord diameters ranging from .065" (1,7 mm) to 1.730" (44,0 mm).
- We recommend using the fitting with the smallest maximum diameter that will fit your application.
- **Unassembled Nylon Locknuts INCLUDED.**
- For Heyco Liquid Tight Threaded Plugs, see page 3-32.
- Consult Heyco for cordgrips molded in other colors.

Material	Nylon 6/6 w/Buna N or TPE Sealing Gland
Certifications	<ul style="list-style-type: none"> UL Listed under Underwriters' Laboratories File E51579 RA Recognized under the Component Program of Underwriters' Laboratories File E51579 SP Certified by Canadian Standard Association File 93876C
Flammability Rating	94V-2
Temperature Rating	Static -40°F (-40°C) to 239°F (115°C) Dynamic -4°F (-20°C) to 212°F (100°C)
IP Rating	IP 68 (70 PSI, 5 BAR)

Quick Specs

Mouser Electronics

Authorized Distributor

Click to View Pricing, Inventory, Delivery & Lifecycle Information:

Heyco:

[M3204](#) [M3446](#) [M3444](#) [M3448](#) [M3447](#) [M3449](#) [M3445](#) [M3211](#) [M3219](#) [M3213](#) [M3217](#) [M3216](#) [M3210](#) [M3214](#)
[M3207](#) [M3208](#) [M3220](#) [M3222](#) [M3226](#) [M3225](#) [M3223](#) [M3455](#) [M3454](#) [M4500](#) [M4504](#) [M4502](#) [M4505](#) [M4501](#)
[M4503](#) [M3209](#) [M3212](#) [M3215](#) [M3218](#) [M3281](#) [M3282](#) [M3283](#) [M3284](#) [M3222ST](#)