



SANYO Semiconductors

DATA SHEET

An ON Semiconductor Company

LV8771VH — Bi-CMOS LSI PWM Constant-Current Control Stepping Motor Driver

Overview

The LV8771VH is a PWM current control stepping motor driver. It is ideally suited for driving stepping motors used in office equipment and amusement applications.

Features

- 1 channel PWM current control stepping motor driver.
- I_O max = 1.5A
- Output on-resistance (High side : 0.6 Ω ; Low side : 0.4 Ω ; total : 1.0 Ω ; $T_a = 25^\circ\text{C}$, $I_O = 1.5\text{A}$).
- Micro step mode can be set to full-step, half-step (full torque), half-step, and quarter-step mode.
- Built-in thermal shutdown circuit.
- No control power supply necessary.

Specifications

Absolute Maximum Ratings at $T_a = 25^\circ\text{C}$

Parameter	Symbol	Conditions	Ratings	Unit
Supply voltage	V_M max		36	V
Output peak current	I_O peak	$t \leq 10\text{ms}$, ON-duty $\leq 20\%$	1.75	A
Output current	I_O max		1.5	A
Allowable power dissipation	P_d max	*	3.0	W
Logic input voltage	V_{IN} max		-0.3 to +6	V
VREF input voltage	VREF max		-0.3 to +6	V
Operating temperature	T_{opr}		-20 to +85	$^\circ\text{C}$
Storage temperature	T_{stg}		-55 to +150	$^\circ\text{C}$

* Specified circuit board : 90.0mm \times 90.0mm \times 1.6mm, glass epoxy board.

Caution 1) Absolute maximum ratings represent the value which cannot be exceeded for any length of time.

Caution 2) Even when the device is used within the range of absolute maximum ratings, as a result of continuous usage under high temperature, high current, high voltage, or drastic temperature change, the reliability of the IC may be degraded. Please contact us for the further details.

■ Any and all SANYO Semiconductor Co.,Ltd. products described or contained herein are, with regard to "standard application", intended for the use as general electronics equipment. The products mentioned herein shall not be intended for use for any "special application" (medical equipment whose purpose is to sustain life, aerospace instrument, nuclear control device, burning appliances, transportation machine, traffic signal system, safety equipment etc.) that shall require extremely high level of reliability and can directly threaten human lives in case of failure or malfunction of the product or may cause harm to human bodies, nor shall they grant any guarantee thereof. If you should intend to use our products for new introduction or other application different from current conditions on the usage of automotive device, communication device, office equipment, industrial equipment etc. , please consult with us about usage condition (temperature, operation time etc.) prior to the intended use. If there is no consultation or inquiry before the intended use, our customer shall be solely responsible for the use.

■ Specifications of any and all SANYO Semiconductor Co.,Ltd. products described or contained herein stipulate the performance, characteristics, and functions of the described products in the independent state, and are not guarantees of the performance, characteristics, and functions of the described products as mounted in the customer's products or equipment. To verify symptoms and states that cannot be evaluated in an independent device, the customer should always evaluate and test devices mounted in the customer's products or equipment.

LV8771VH

Recommendation Operating Conditions at Ta = 25°C

Parameter	Symbol	Conditions	Ratings	Unit
Supply voltage range	VM		9 to 32	V
Logic input voltage	V _{IN}		0 to 5.5	V
VREF input voltage range	VREF		0 to 3	V

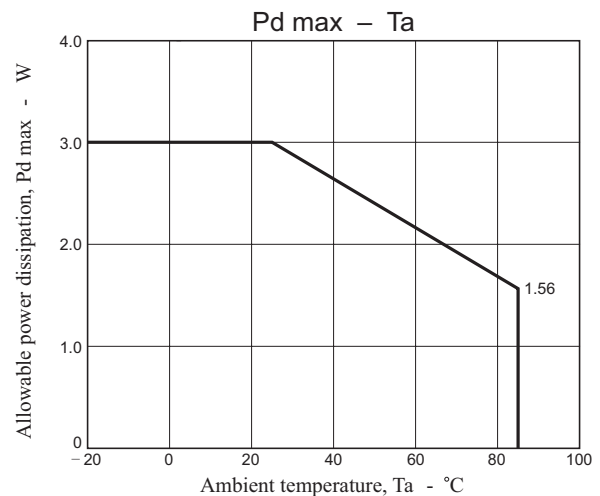
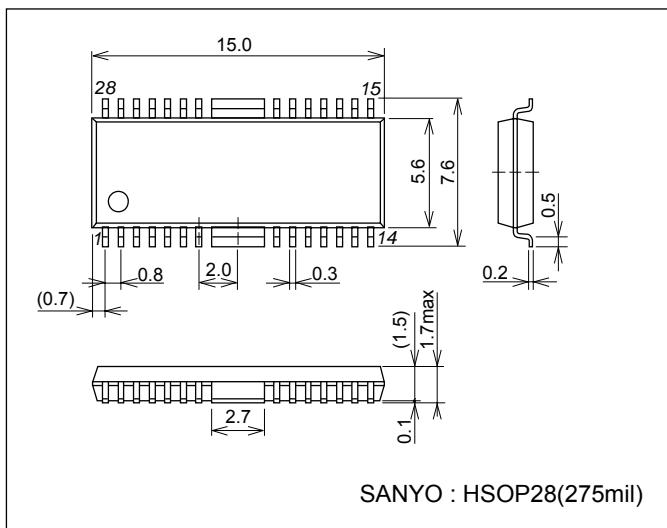
Electrical Characteristics at Ta = 25°C, VM = 24V, VREF = 1.5V

Parameter	Symbol	Conditions	Ratings			Unit
			min	typ	max	
Standby mode current drain	IMstn	ST = "L"		100	150	μA
Current drain	IM	ST = "H", I01 = I11 = I02 = I12 = "L", with no load		2	3	mA
VREG5 output voltage	Vreg5	Ireg5 = -1mA	4.7	5	5.3	V
Thermal shutdown temperature	TSD	Design guarantee	150	180	210	°C
Thermal hysteresis width	ΔTSD	Design guarantee		40		°C
Motor driver						
Output on resistance	Ron _u	I _O = 1.5A, Upper-side on resistance		0.6	0.78	Ω
	Ron _d	I _O = 1.5A, Lower-side on resistance		0.4	0.52	Ω
Output leakage current	I _O leak	V _M = 36V			50	μA
Diode forward voltage	VD			1.1	1.4	V
Logic high-level input voltage	V _{INH}		2.0			V
Logic low-level input voltage	V _{INL}				0.8	V
Logic pin input current	I _{INL}	V _{IN} = 0.8V	4	8	12	μA
	I _{INH}	V _{IN} = 5V	30	50	70	μA
Current setting comparator threshold voltage	Vtdac11	I01(02) = "H", I11(12) = "H"	0.29	0.30	0.31	V
	Vtdac01	I01(02) = "L", I11(12) = "H"	0.20	0.21	0.22	V
	Vtdac10	I01(02) = "H", I11(12) = "L"	0.11	0.12	0.13	V
Chopping frequency	Fchop1	FC = "L"	24.8	31.0	37.2	kHz
	Fchop2	FC = "H"	49.6	62.0	74.4	kHz
VREF pin input current	Iref	VREF = 1.5V	-0.5			μA
Charge pump						
VG output voltage	VG		28	28.7	29.8	V
Rise time	t _{ONG}	VG = 0.1μF		200	500	μS
Oscillator frequency	Fosc		100	125	150	kHz

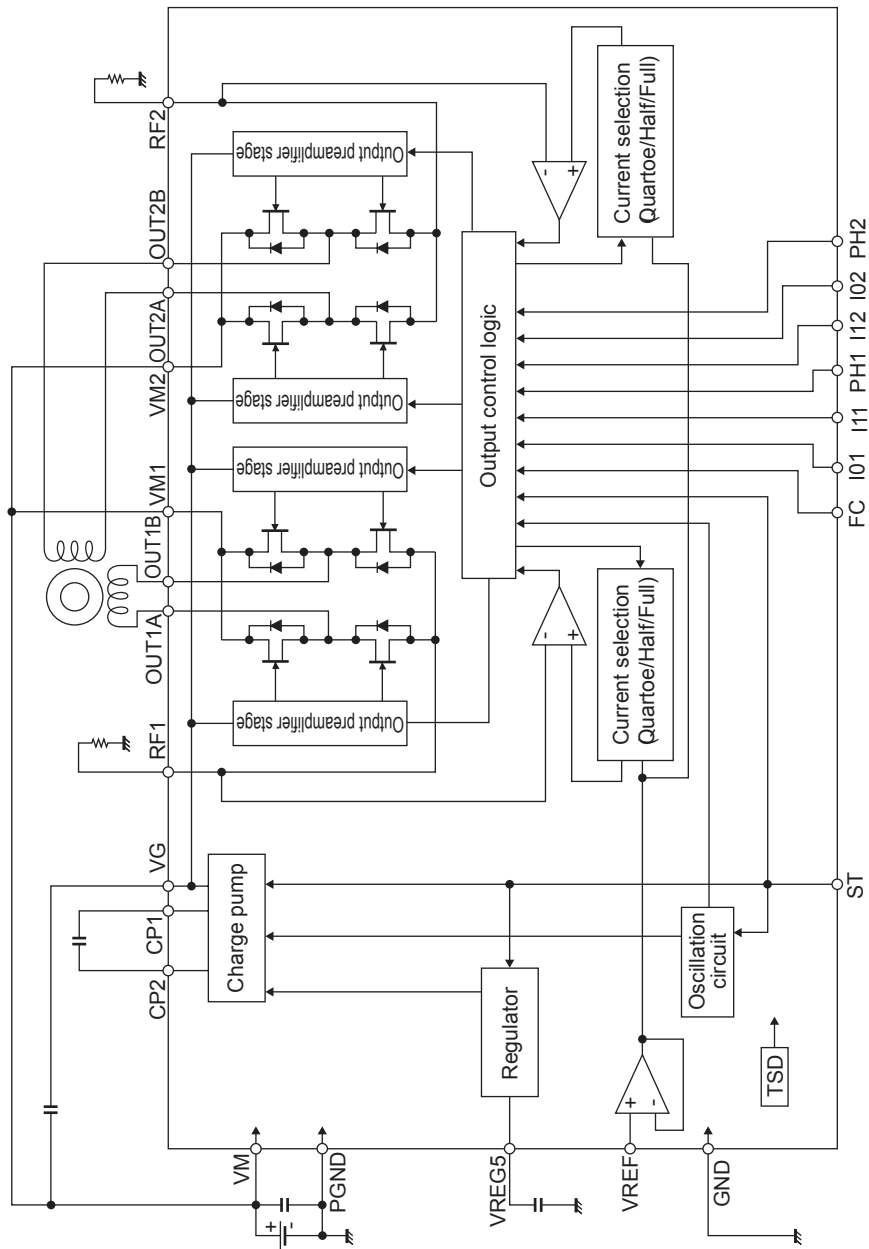
Package Dimensions

unit : mm (typ)

3222A

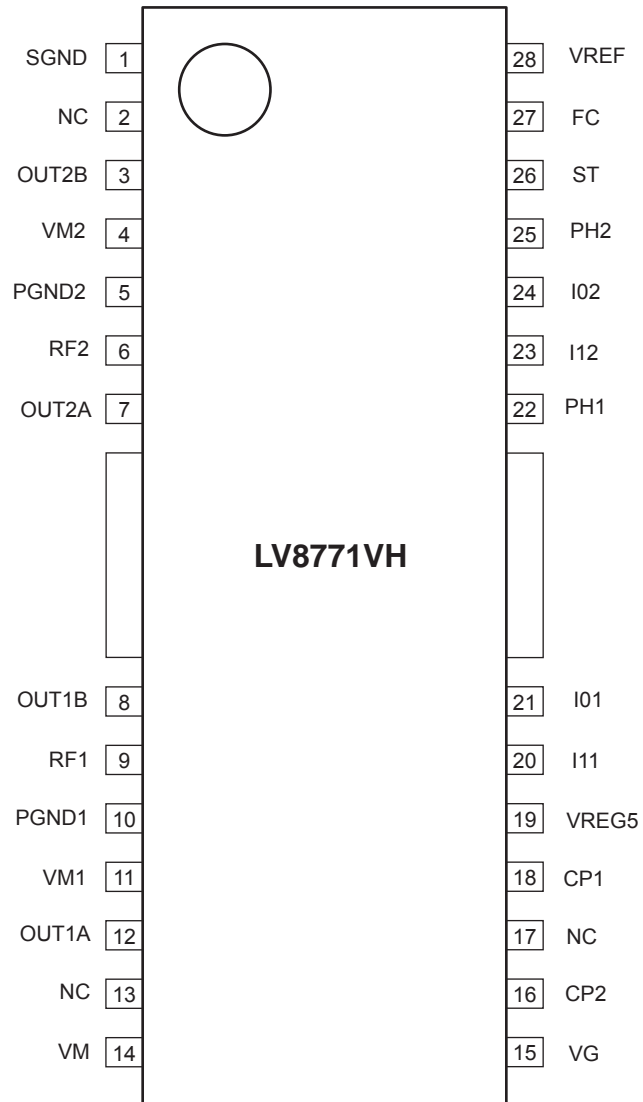


Block Diagram



LV8771VH

Pin Assignment



Top view

LV8771VH

Pin Functions

Pin No.	Pin Name	Pin Function	Equivalent Circuit
22 21 20 25 24 23 27	PH1 I01 I11 PH2 I02 I12 FC	Channel 1 forward/reverse rotation pin. Channel 1 output control input pin . Channel 1 output control input pin . Channel 2 forward/reverse rotation pin. Channel 2 output control input pin . Channel 2 output control input pin . Chopping frequency switching pin.	
26	ST	Chip enable pin.	
8 9 10 11 12 3 4 5 6 7	OUT1B RF1 PGND1 VM1 OUT1A OUT2B VM2 PGND2 RF2 OUT2A	Channel 1 OUTB output pin. Channel 1 current-sense resistor connection pin. Power system ground pin 1. Channel 1 motor power supply connection pin. Channel 1 OUTA output pin. Channel 2 OUTB output pin. Channel 2 current-sense resistor connection pin. Power system ground pin 2. Channel 2 motor power supply connection pin. Channel 2 OUTA output pin.	
2, 13 , 17	NC	No Connection (No internal connection to the IC)	

Continued on next page.

LV8771VH

Continued from preceding page.

Pin No.	Pin Name	Pin Function	Equivalent Circuit
15 14 16 18	VG VM CP2 CP1	Charge pump capacitor connection pin. Motor power supply connection pin. Charge pump capacitor connection pin. Charge pump capacitor connection pin.	
19	VREG5	Internal power supply capacitor connection pin.	
28	VREF	Constant current control reference voltage input pin.	

Description of operation

Input Pin Function

The function to prevent including the turn from the input to the power supply is built into each logic pin. Therefore, the current turns to the power supply even if power supply (VM) is turned off with the voltage impressed to the input pin and there is not crowding.

(1) Chip enable function

This IC is switched between standby and operating mode by setting the ST pin. In standby mode, the IC is set to power-save mode and all logic is reset. In addition, the internal regulator circuit and charge pump circuit do not operate in standby mode.

ST	Mode	Internal regulator	Charge pump
Low or Open	Standby mode	Standby	Standby
High	Operating mode	Operating	Operating

(2) Output control logic

I01(02)	I11(12)	Output current (I _O)
Low	Low	0
High	Low	$I_O = ((VREF / 5) / RF) \times 40\%$
Low	High	$I_O = ((VREF / 5) / RF) \times 70\%$
High	High	$I_O = (VREF / 5) / RF$

PH1(2)	Current direction
Low	OUTB → OUTA
High	OUTA → OUTB

(3) Setting constant-current control reference current

This IC is designed to automatically exercise PWM constant-current chopping control for the motor current by setting the output current. Based on the voltage input to the VREF pin and the resistance connected between RF and GND, the output current that is subject to the constant-current control is set using the calculation formula below:

$$I_{OUT} = (VREF / 5) / RF \text{ resistance}$$

* The above setting is the output current at I01(02) = High, I11(12) = Low.

(Example) When VREF = 1.5V, I01(02) = High, I11(12) = Low and RF1(2) resistance is 0.5Ω, the setting current is shown below.

$$I_{OUT} = (1.5V / 5) / 0.5\Omega = 0.6A$$

(4) Chopping frequency control logic

FC	Chopping frequency
Low	31kHz
High	62kHz

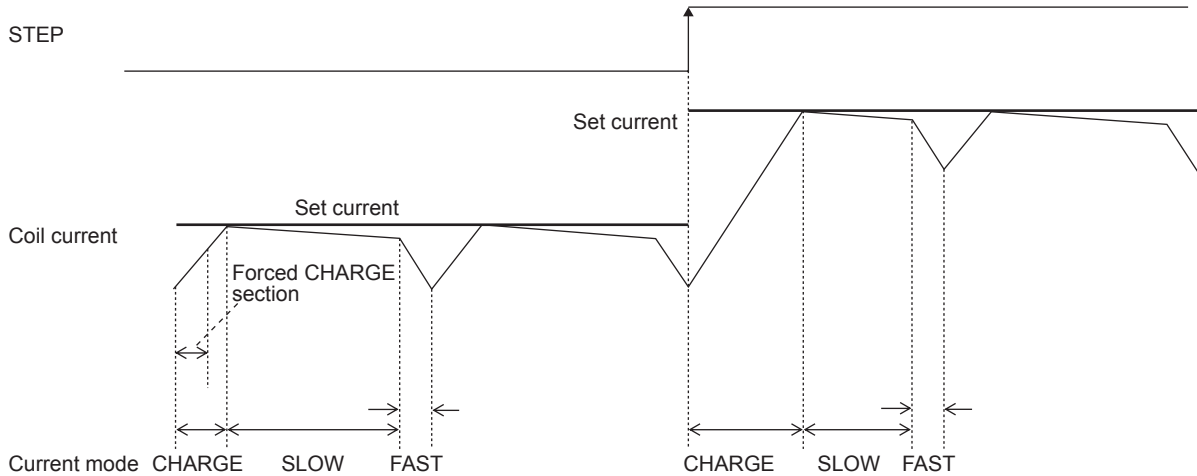
(5) Blanking period

If, when exercising PWM constant-current chopping control over the motor current, the mode is switched from decay to charge, the recovery current of the parasitic diode may flow to the current sensing resistance, causing noise to be carried on the current sensing resistance pin, and this may result in erroneous detection. To prevent this erroneous detection, a blanking period is provided to prevent the noise occurring during mode switching from being received. During this period, the mode is not switched from charge to decay even if noise is carried on the current sensing resistance pin.

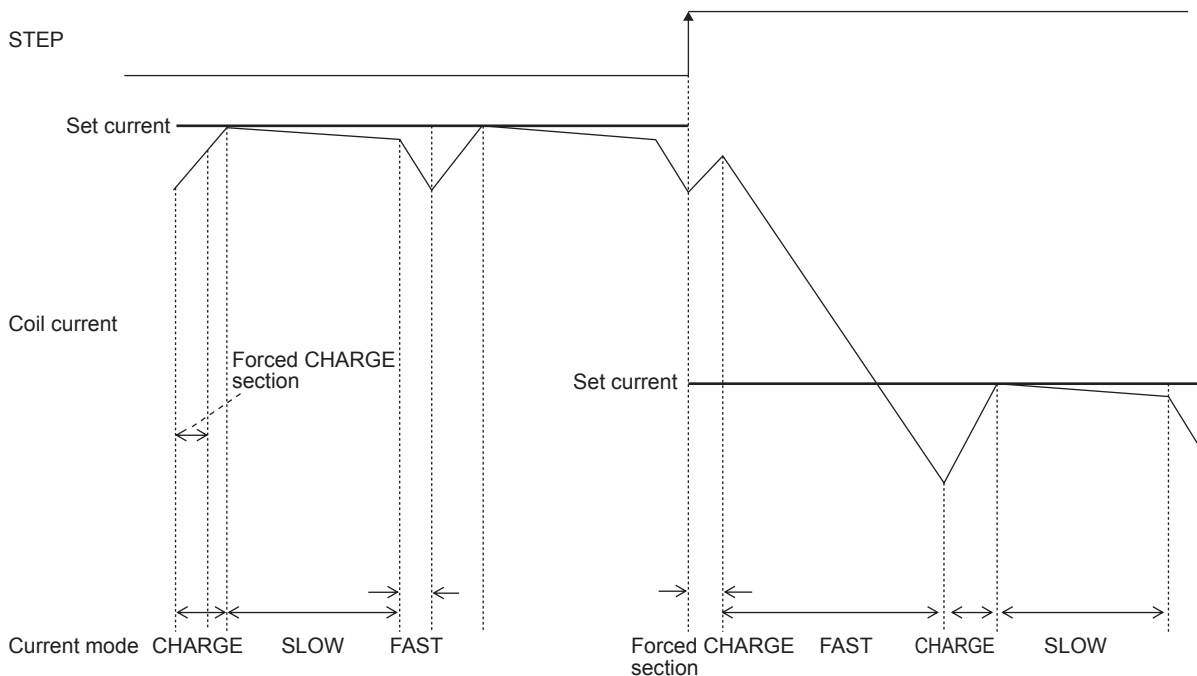
The blanking time is fixed at approximately 1μs.

(6) Current control operation specification

(Sine wave increasing direction)



(Sine wave decreasing direction)



In each current mode, the operation sequence is as described below :

- At rise of chopping frequency, the CHARGE mode begins. (In the time defined as the “blanking time,” the CHARGE mode is forced regardless of the magnitude of the coil current (ICOIL) and set current (IREF).)
- The coil current (ICOIL) and set current (IREF) are compared in this blanking time.

When $(ICOIL < IREF)$ state exists ;

The CHARGE mode up to $ICOIL \geq IREF$, then followed by changeover to the SLOW DECAy mode, and finally by the FAST DECAy mode for approximately $1\mu s$.

When $(ICOIL < IREF)$ state does not exist ;

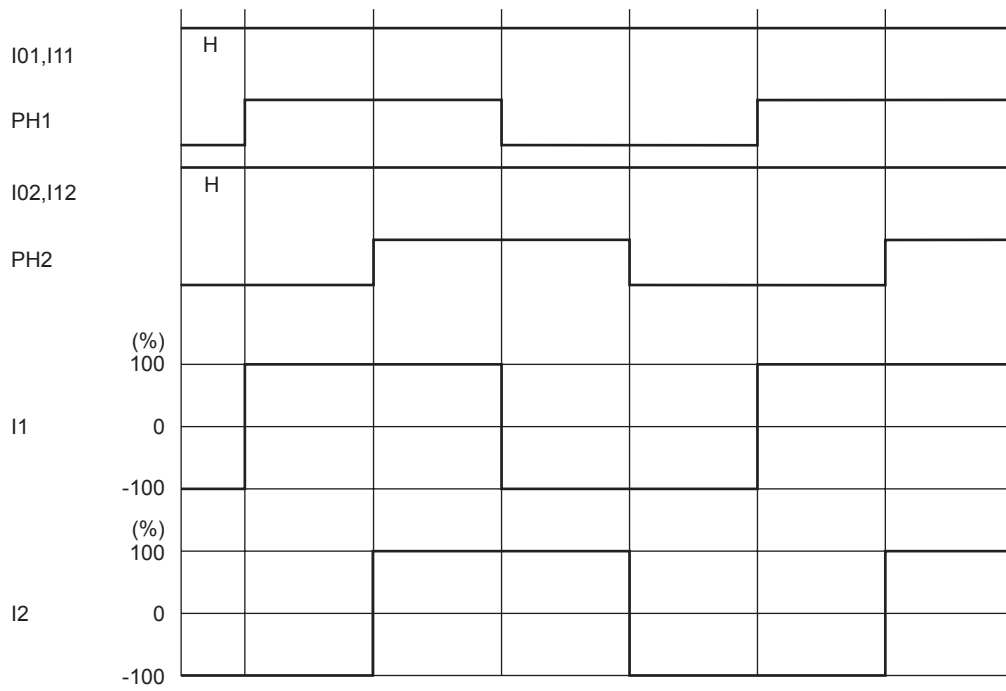
The FAST DECAy mode begins. The coil current is attenuated in the FAST DECAy mode till one cycle of chopping is over.

Above operations are repeated. Normally, the SLOW (+FAST) DECAy mode continues in the sine wave increasing direction, then entering the FAST DECAy mode till the current is attenuated to the set level and followed by the SLOW DECAy mode.

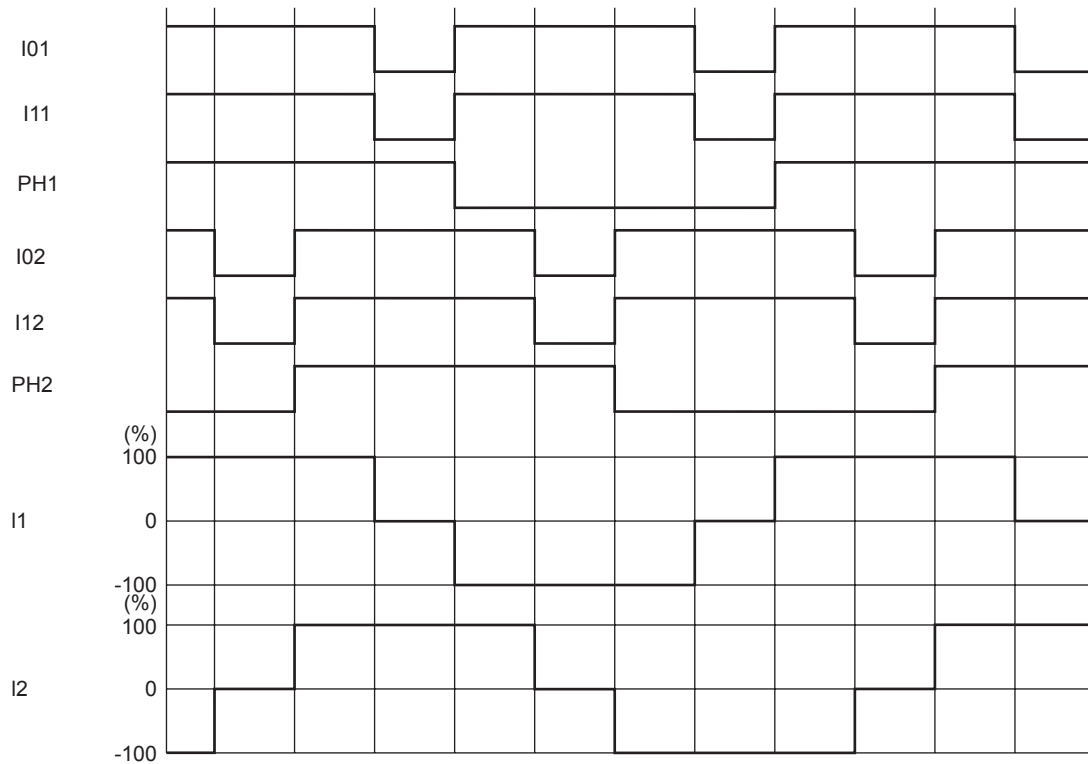
LV8771VH

(7) Typical current waveform in each excitation mode

Full step (CW mode)

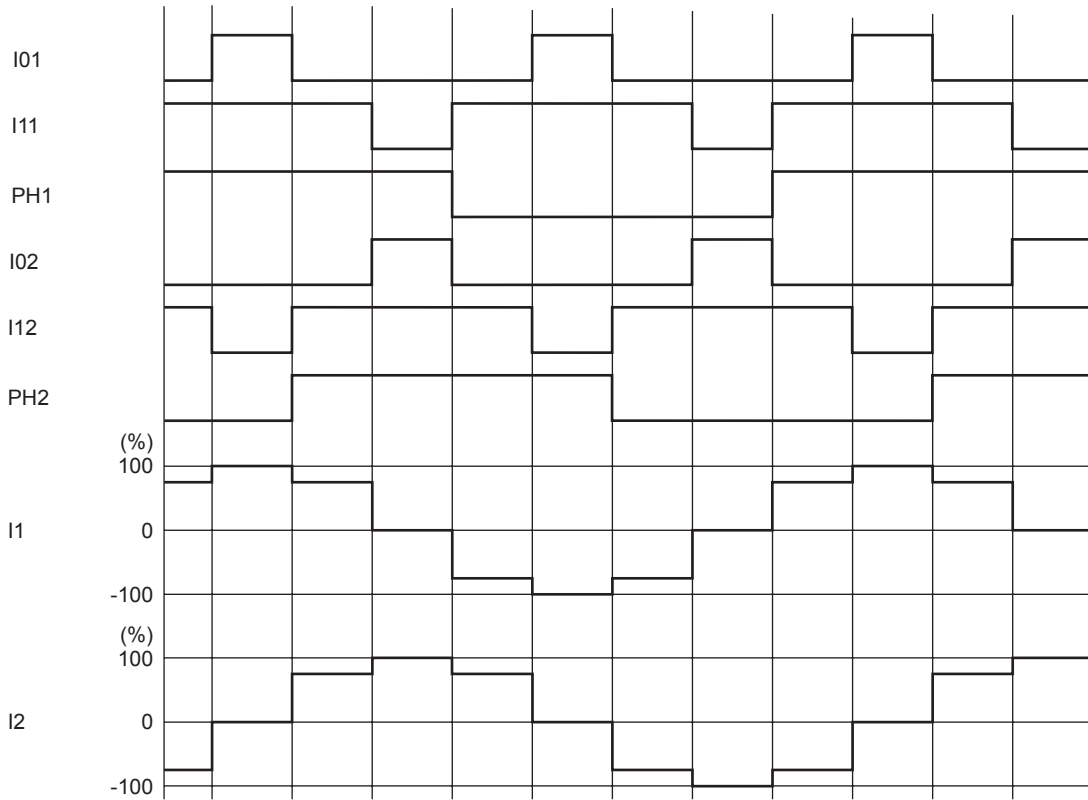


Half step full torque (CW mode)

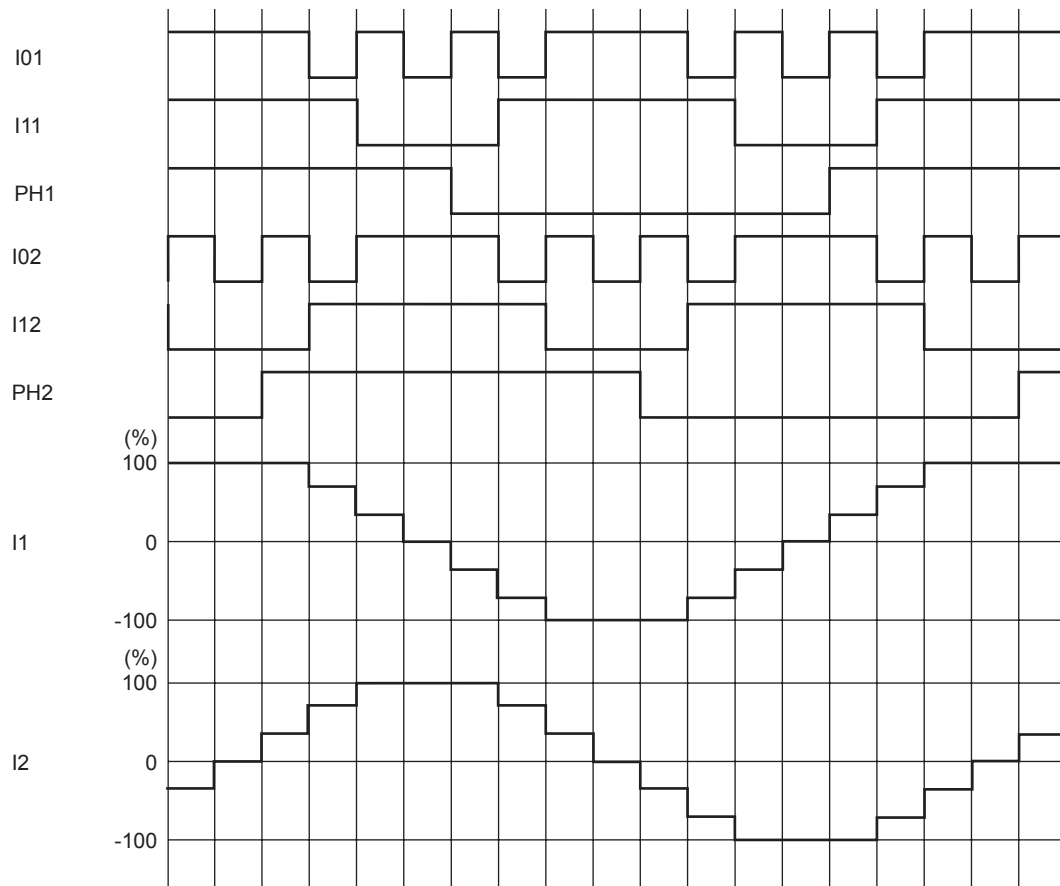


LV8771VH

Half step (CW mode)



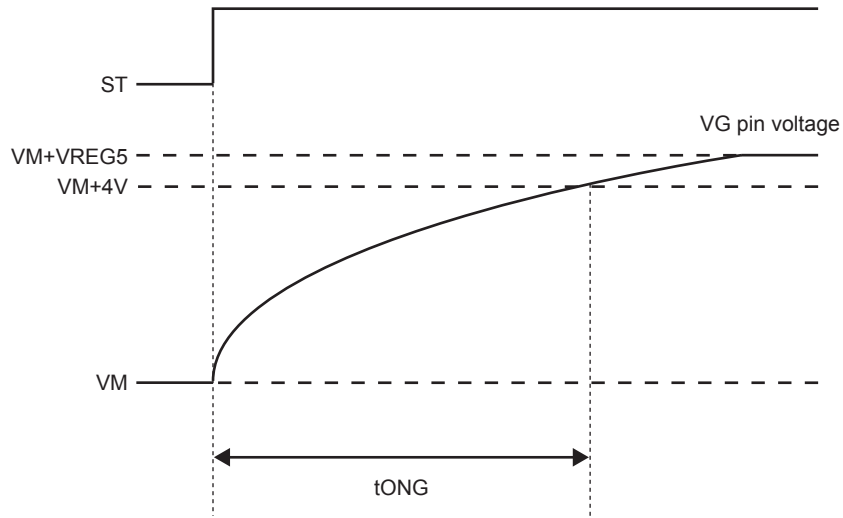
Quarter step (CW mode)



LV8771VH

(8) Charge Pump Circuit

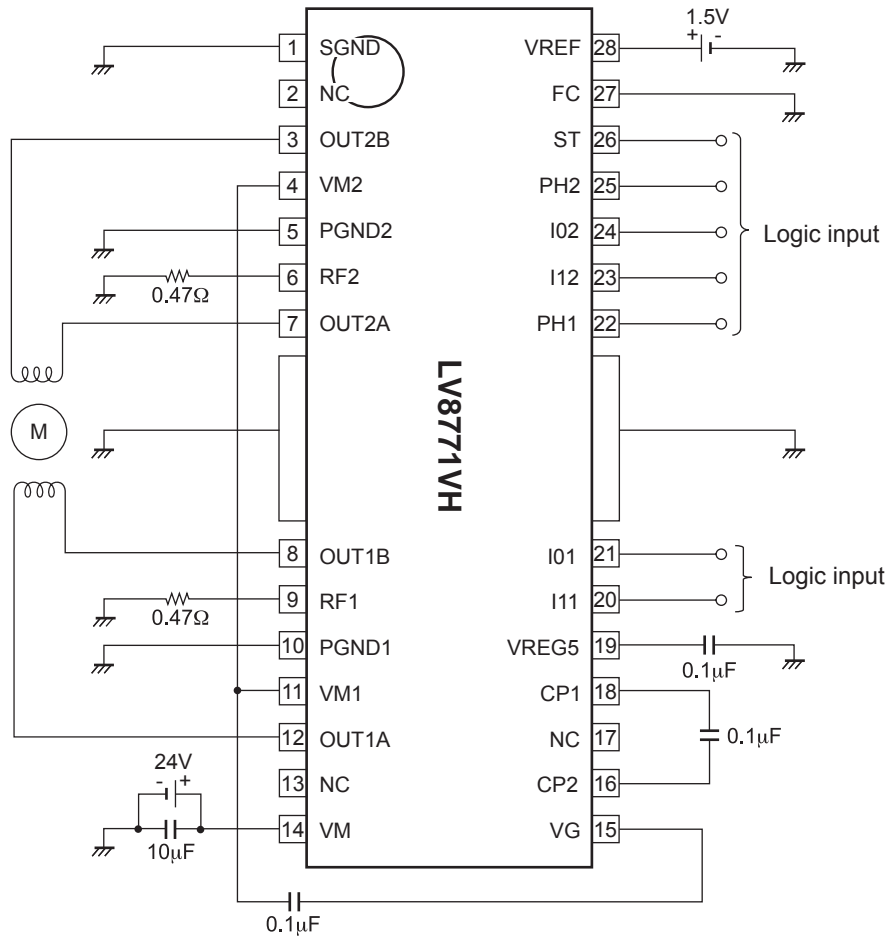
When the ST pin is set High, the charge pump circuit operates and the V_G pin voltage is boosted from the V_M voltage to the $V_M + V_{REG5}$ voltage. Because the output is not turned on if $V_M + 4V$ or more is not pressured, the voltage of the V_G pin recommends the drive of the motor to put the time of t_{ONG} or more, and to begin.



VG Pin Voltage Schematic View

LV8771VH

Application Circuit Example



Each constant setting formula of above circuit example is as below.

Setting of chopping frequency: 31kHz (FC = Low)

The setting constant-current level becomes like a list.

(Example) I01(02) = High, I11(12) = High

When VREF = 1.5V, RF = 0.47Ω

$$I_{OUT} = VREF / 5 / RF \text{ resistance}$$

$$= (1.5V / 5) / 0.47\Omega = 0.64A$$

I01(02)	I11(12)	Output current (I _O)
Low	Low	0
High	Low	$I_O = ((VREF / 5) / RF) \times 40\%$
Low	High	$I_O = ((VREF / 5) / RF) \times 70\%$
High	High	$I_O = (VREF / 5) / RF$

PH1(2)	Current direction
Low	OUTB → OUTA
High	OUTA → OUTB

- SANYO Semiconductor Co.,Ltd. assumes no responsibility for equipment failures that result from using products at values that exceed, even momentarily, rated values (such as maximum ratings, operating condition ranges, or other parameters) listed in products specifications of any and all SANYO Semiconductor Co.,Ltd. products described or contained herein.
- Regarding monolithic semiconductors, if you should intend to use this IC continuously under high temperature, high current, high voltage, or drastic temperature change, even if it is used within the range of absolute maximum ratings or operating conditions, there is a possibility of decrease reliability. Please contact us for a confirmation.
- SANYO Semiconductor Co.,Ltd. strives to supply high-quality high-reliability products, however, any and all semiconductor products fail or malfunction with some probability. It is possible that these probabilistic failures or malfunction could give rise to accidents or events that could endanger human lives, trouble that could give rise to smoke or fire, or accidents that could cause damage to other property. When designing equipment, adopt safety measures so that these kinds of accidents or events cannot occur. Such measures include but are not limited to protective circuits and error prevention circuits for safe design, redundant design, and structural design.
- In the event that any or all SANYO Semiconductor Co.,Ltd. products described or contained herein are controlled under any of applicable local export control laws and regulations, such products may require the export license from the authorities concerned in accordance with the above law.
- No part of this publication may be reproduced or transmitted in any form or by any means, electronic or mechanical, including photocopying and recording, or any information storage or retrieval system, or otherwise, without the prior written consent of SANYO Semiconductor Co.,Ltd.
- Any and all information described or contained herein are subject to change without notice due to product/technology improvement, etc. When designing equipment, refer to the "Delivery Specification" for the SANYO Semiconductor Co.,Ltd. product that you intend to use.
- Upon using the technical information or products described herein, neither warranty nor license shall be granted with regard to intellectual property rights or any other rights of SANYO Semiconductor Co.,Ltd. or any third party. SANYO Semiconductor Co.,Ltd. shall not be liable for any claim or suits with regard to a third party's intellectual property rights which has resulted from the use of the technical information and products mentioned above.

This catalog provides information as of May, 2012. Specifications and information herein are subject to change without notice.