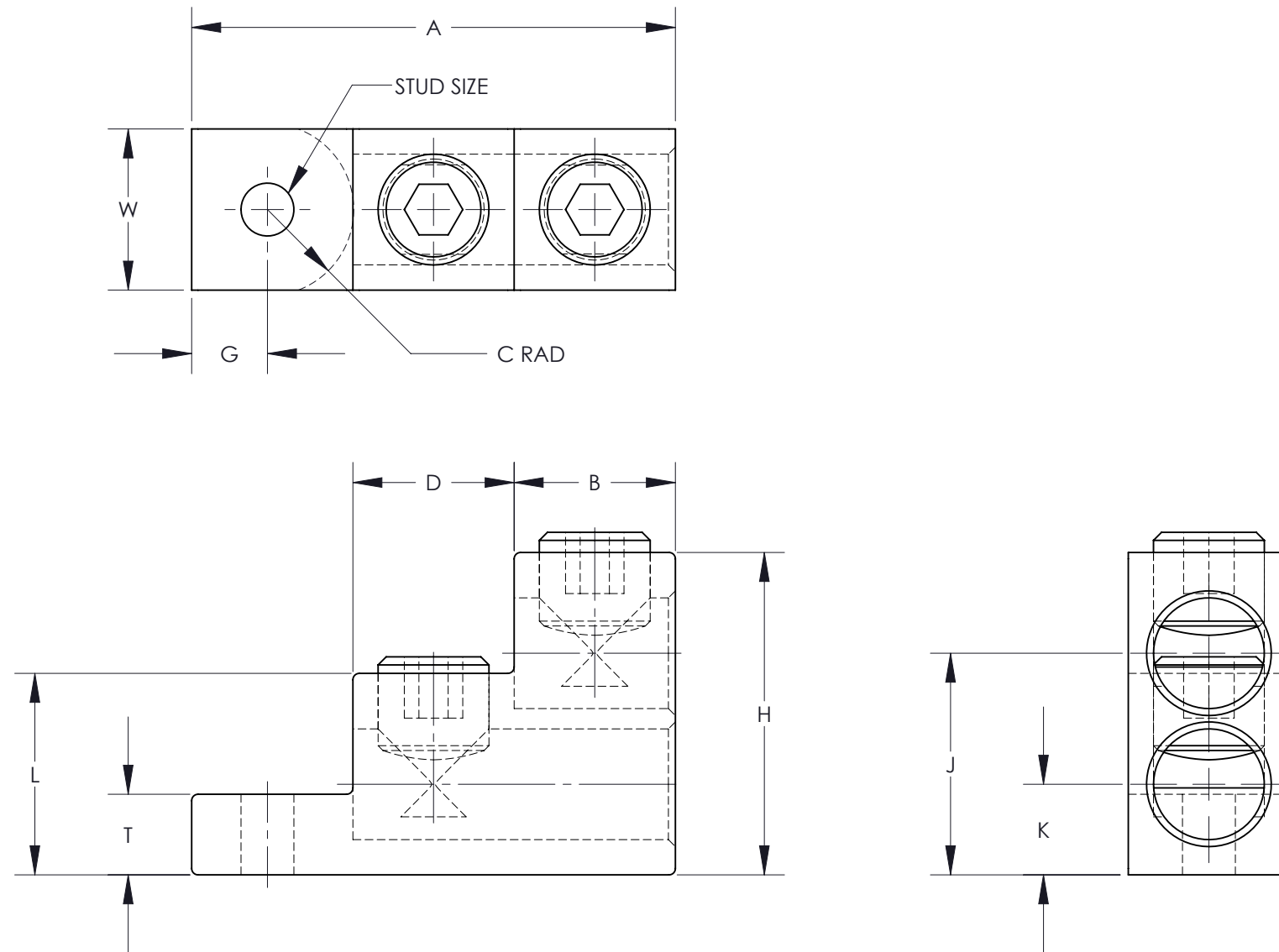


NOTES:

1. MATERIAL:
BODY - ALUMINUM, TIN PLATED
SCREW - ALUMINUM, TIN PLATED
2. UL LISTED & CSA CERTIFIED FOR USE UP TO 600V & TEMPERATURE RATED 90°C (AL9CU)
3. DUAL RATED FOR USE WITH COPPER OR ALUMINUM STRANDED CODE CONDUCTOR
4. THESE PARTS ARE RoHS COMPLIANT
5. USE OF OXIDE INHIBITING JOINT COMPOUND LIKE PANDUIT CMP-100 RECOMMENDED FOR PAD TO PAD AND CONDUCTOR SURFACES
6. SEE PACKAGING LABEL FOR TIGHTENING TORQUE INFORMATION
7. PKG QTY:
3 = 3



| PART NUMBER | DIMENSIONS - IN [mm] +/- .02 [.5] | | | | | | | | | | | STUD SIZE | WIRE STRIP LENGTH | WIRE RANGE | HEX KEY* |
|----------------|-----------------------------------|----------------|----------------|---------------|---------------|----------------|----------------|---------------|----------------|---------------|----------------|-----------|-------------------|----------------|----------|
| | A | B | D | G | T | H | W | C MAX. | J | K | L | | | | |
| LAM2SA300-56-3 | 3.00 [76.2] | 1.00 [25.4] | 1.00 [25.4] | .47 [11.9] | .50 [12.7] | 2.00 [50.8] | 1.00 [25.4] | .53 [13.5] | 1.38 [35.1] | .56 [14.2] | 1.25 [31.8] | 5/16 | 1.02 [25.9] | 300kcmil-6 AWG | 5/16 |

* HEX SIZE MAY DIFFER FROM CHART. DIFFERENCE IN SIZE WILL NOT AFFECT FIT, FORM, OR FUNCTION OF PART

| | | | | | | | | | | | | | | |
|-----|------|------|------|--|--|--|--|-----------------|-----|---|---|--|------------------------------------|--|
| | | | | | | | | | | PANDUIT CORP. TINLEY PARK, ILLINOIS | | | | |
| | | | | | | | | | | LAM2SA SERIES ALUMINUM MECHANICAL LUGS CUSTOMER DRAWING | | | | |
| | | | | | | | | | | UNLESS OTHERWISE SPECIFIED DIMENSIONAL TOLERANCES ARE: (.X) ± (.XXX) ± (.XX) ± ANGLES ± | | UNLESS OTHERWISE SPECIFIED, ALL DIMENSIONS ARE GIVEN IN INCHES, THIRD ANGLE PROJECTION | | |
| 02 | 6/11 | JHNU | RGB | B. REVISED PART NUMBER: LAM2SA300-56-3 WAS LAM2SA300-56-3Y | | | | N41360BB-C41360 | RGB | RGB | DRAWN BY CJW DATE 12/02 CHK'D | MAT'L: | SCALE NONE | |
| 01 | 9/10 | JHNU | JHNU | A. REVISED DIMENSIONS FOR LAM2SA300-56 | | | | N41360BB-C41360 | FLD | FLD | | | DRAWING NO / CAD FILE C41360_02 | |
| 00 | 2/06 | JHNU | LEM | DRAWING RELEASED | | | | | | | | | DWG B SIZE | |
| REV | DATE | BY | CHK | DESCRIPTION | | | | ECN | -R | SUP | | | | |