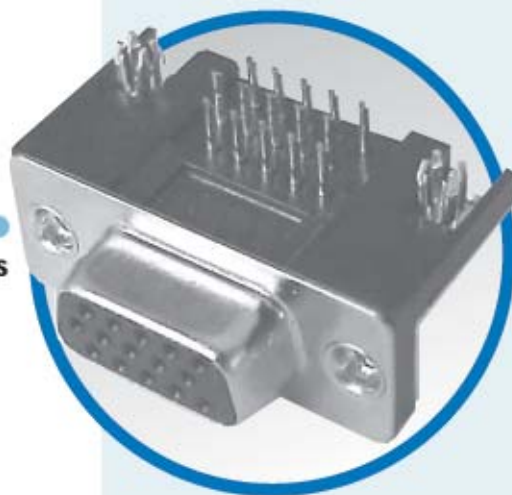


HT

D-Sub connectors - Stamped and Formed Contacts

RIGHT ANGLE HIGH TEMPERATURE AND HIGH DENSITY CONNECTORS



MAIN CHARACTERISTICS

Specifications

- Connectors according to MIL C24308

Materials and platings	
Shells	Steel with nickel plating
Insulator	Glass filled thermoplastic, UL 94V-0
Contacts	Copper alloy, selective gold plating
Rear insert	Brass with nickel plating
Screwlock	Brass with nickel plating
Grounding clip	Copper alloy with tin plating

Electrical Data	
Current rating	5A
Voltage rating	600V AC/rms 50Hz
Withstanding voltage	1000V AC/rms 50Hz for one minute
Insulation resistance	5000M Ω
Contact resistance	10m Ω max

Climatic Data	
Operating temperature	-55°C to + 150° C, resist to short term (30s) at 260°C

Mechanical Data		
Mating and unmating force		
Unit: kg (lb)		
No. of Cts	Mate (max)	Unmate (min)
15	3.81 (8.42)	0.52 (1.14)
28	5.95 (13.16)	1.05 (2.32)
44	9.26 (20.46)	1.37 (3.02)
62	13.48 (29.78)	1.76 (3.88)
Standard plating thicknesses		
• gold flash		
• 0.76 μ m (30 μ " gold)		

DESCRIPTION

The Amphenol "HT" series allow the customers to use through holes connectors with reflow soldering process.

This series gives you Amphenol's high standards of quality and reliability to meet of your commercial requirements.

*Economical
right angle PCB
high temperature
connectors*

APPLICATIONS

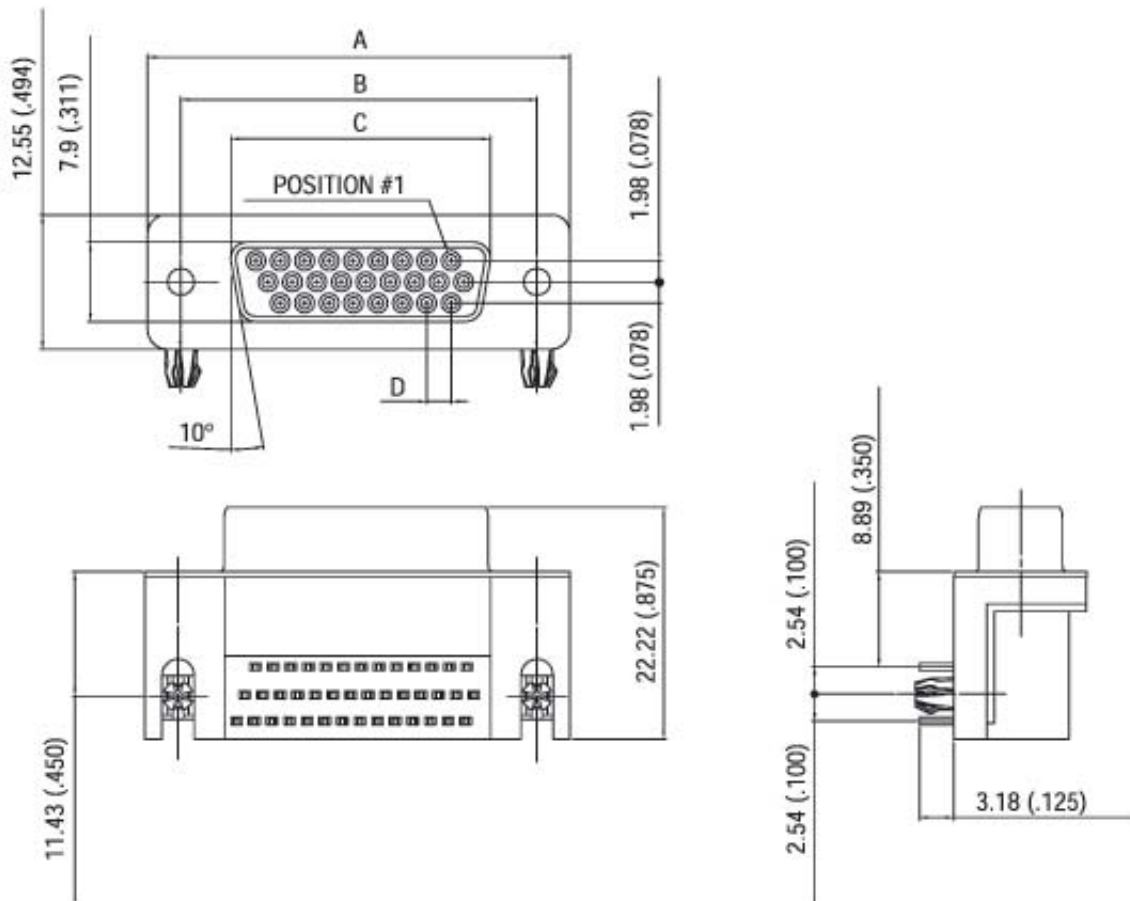
- Industrial
- Telecom
- Any industry standard I / O connections



Amphenol

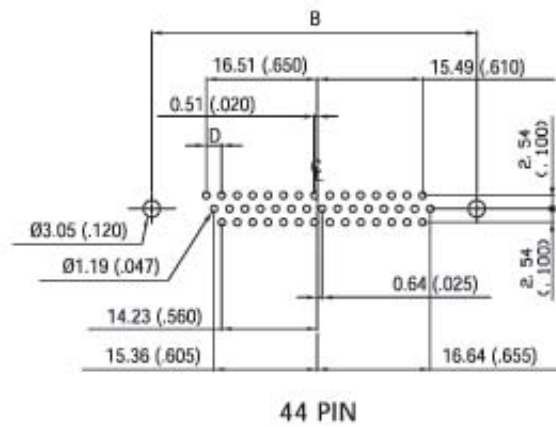
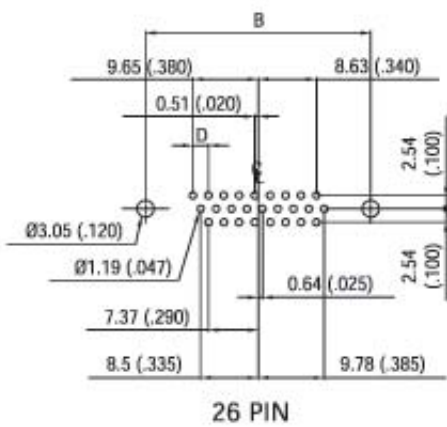
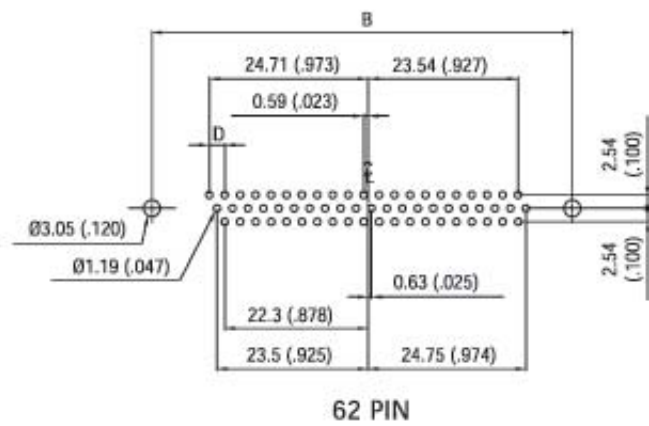
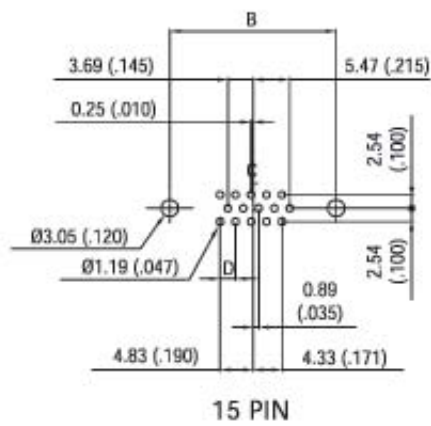
HT / E14

Shell size dimensions

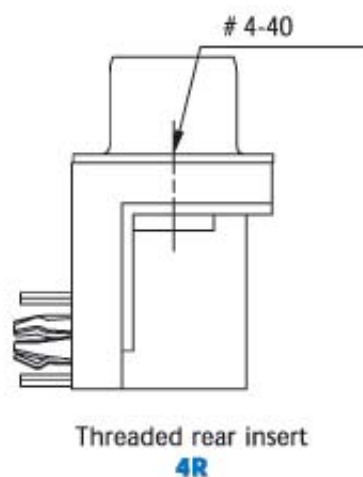
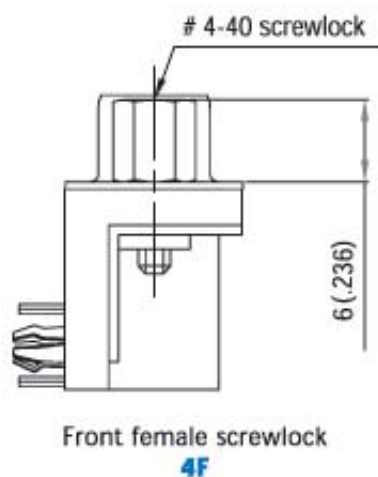


Nb OF CONTACTS	DIMENSIONS mm (inch)			
	A	B	C	D
15	30.84 (1.214)	24.99 (.984)	16.26 (.640)	2.29 (.090)
26	39.24 (1.545)	33.32 (1.312)	24.56 (.967)	2.29 (.090)
44	53.04 (2.088)	47.04 (1.852)	38.30 (1.508)	2.29 (.090)
62	69.34 (2.730)	63.50 (2.500)	54.76 (2.156)	2.41 (.095)

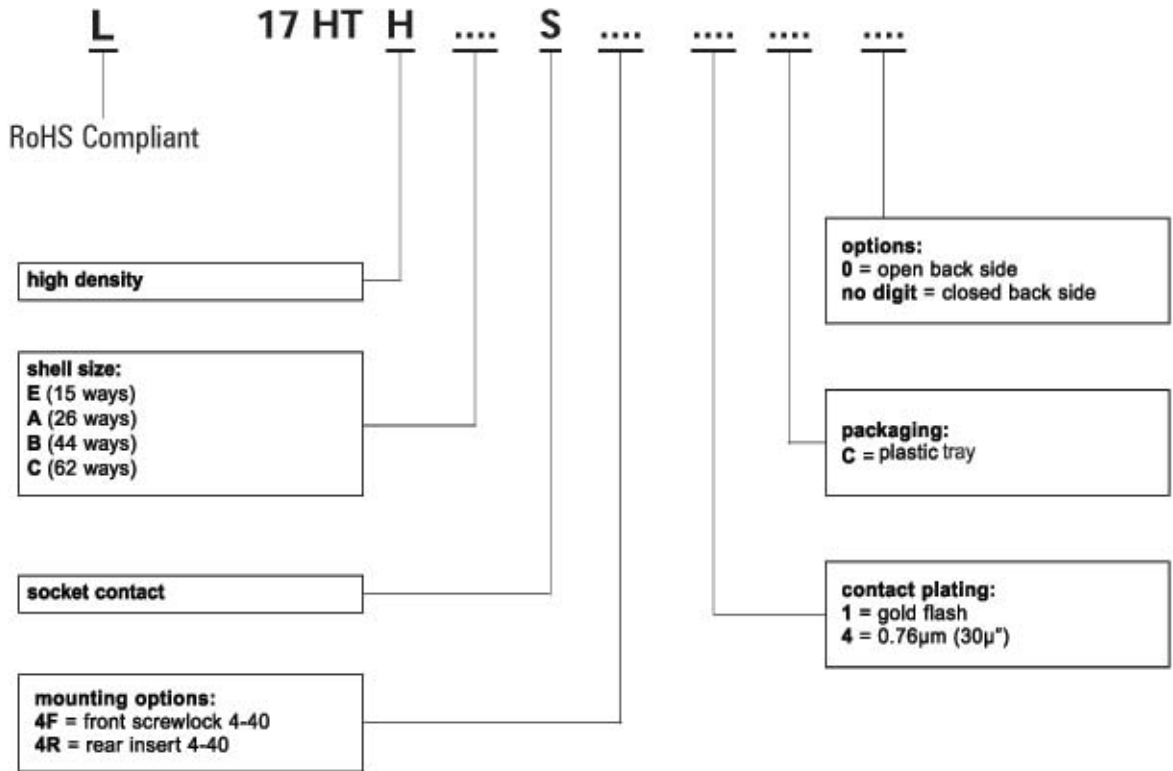
P.C.B. Layout



Panel mounting option



How to order



For special request, please consult factory

Do not hesitate to contact us for further information

Amphenol

Amphenol East Asia Electronic Technology(Shen Zhen)Co., Ltd.

Block A3/A4, The4th Ind.District of
Ind.HQ, Dong keng Road,
Gong Ming Town , Shen zhen, china
Fax: +86 (0) 755 2754 9955
<http://www.dusubconnector.com>

Technical support

Tel: +33 (0) 3 84 85 94 00
+86 (0) 755 2717 7945