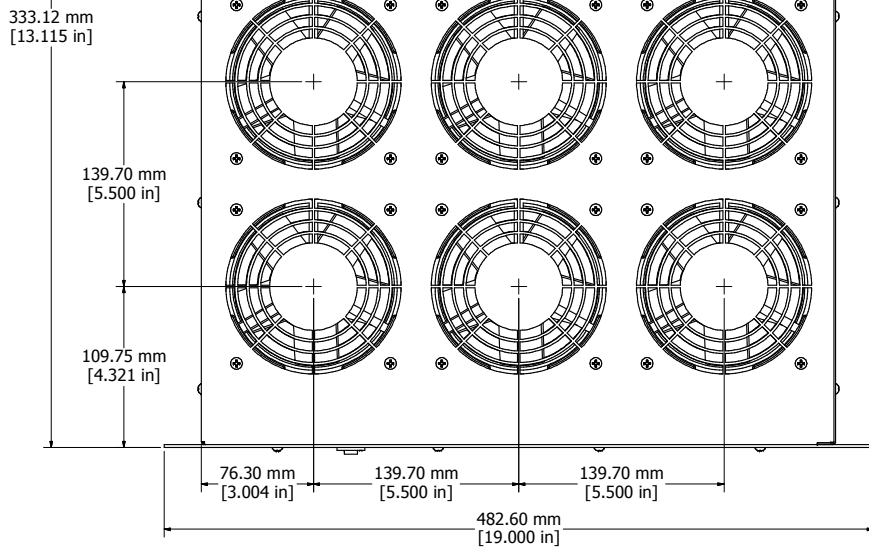
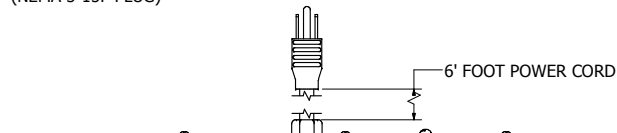
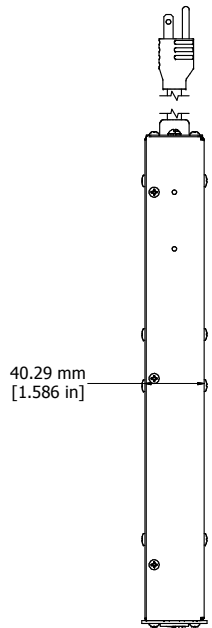


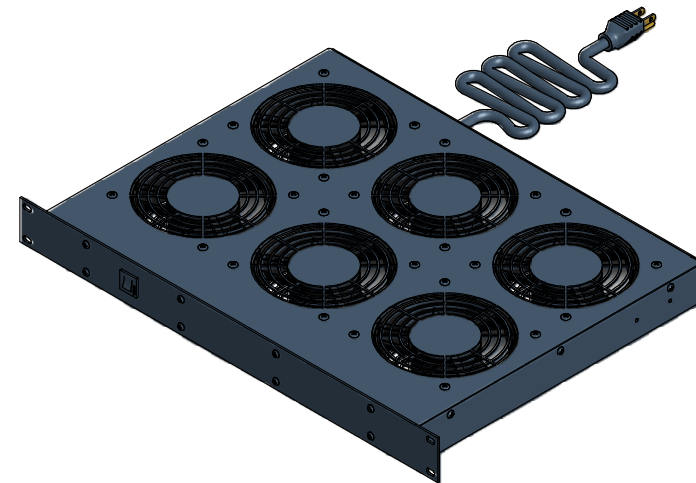
ASSEMBLY - VIEW FROM BACK



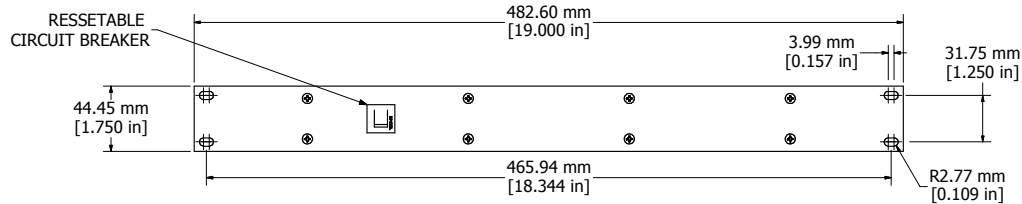
ASSEMBLY - VIEW FROM TOP



ASSEMBLY - VIEW FROM SIDE



ISOMETRIC VIEW



ASSEMBLY - VIEW FROM FRONT

FT600TA1BK
Finish - Black Textured Powder Paint
Rated - 115 VAC, 60 Hz, 3 Amps
Free Flow Air Delivery - 600 CFM
Approvals - cURus Recognized UL507 and CSA C22.2 No.113
ACCESSORIES INCLUDED
Mounting Instructions
Rear Mount Brackets & Hardware
Extension Brackets & Hardware

