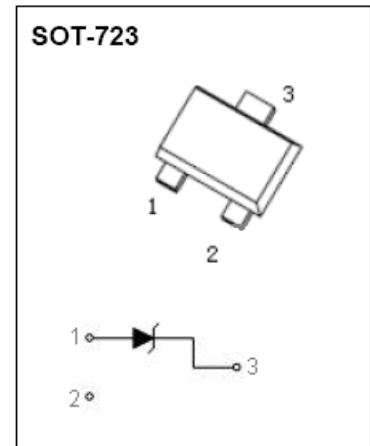


## SOT-723 Plastic-Encapsulate Diodes

### **BZX84C2V4M-BZX84C39M** ZENER DIODE

#### FEATURES

- Planar Die Construction
- 100mW Power Dissipation
- Zener Voltages from 2.4 – 39V



#### MAXIMUM RATINGS (Ta=25°C unless otherwise specified )

Parameter	Symbol	Value	Unit
Forward Voltage @I <sub>F</sub> =10mA	V <sub>F</sub>	0.9	V
Power Dissipation (Note 1)	P <sub>d</sub>	100	mW
Thermal Resistance from Junction to Ambient	R <sub>θJA</sub>	1250	°C/W
Operating Temperature	T <sub>j</sub>	150	°C
Storage Temperature	T <sub>STG</sub>	-55 ~ +150	°C

**ELECTRICAL CHARACTERISTICS (Ta=25°C unless otherwise specified)**

Type Number	Type Code	Zener Voltage Range (Note 2)				Maximum Zener Impedance (Note 3)			Maximum Reverse Current		Typical Temperature Coefficient @I <sub>ZT</sub> =5 mA mV/°C	
		V <sub>Z</sub> @I <sub>ZT</sub>			I <sub>ZT</sub>	Z <sub>ZT</sub> @I <sub>ZT</sub>	Z <sub>ZK</sub> @I <sub>ZK</sub>	I <sub>ZK</sub>	I <sub>R</sub>	V <sub>R</sub>	Min	Max
		Nom(V)	Min(V)	Max(V)	mA	Ω		mA	uA	V		
BZX84C2V4M	RB	2.4	2.2	2.6	5	100	600	1.0	50	1.0	-3.5	0
BZX84C2V7M	RC	2.7	2.5	2.9	5	100	600	1.0	20	1.0	-3.5	0
BZX84C3V0M	RD	3	2.8	3.2	5	95	600	1.0	20	1.0	-3.5	0
BZX84C3V3M	RE	3.3	3.1	3.5	5	95	600	1.0	5	1.0	-3.5	0
BZX84C3V6M	RF	3.6	3.4	3.8	5	90	600	1.0	5	1.0	-3.5	0
BZX84C3V9M	RG	3.9	3.7	4.1	5	90	600	1.0	3	1.0	-3.5	0
BZX84C4V3M	RH	4.3	4.0	4.6	5	90	600	1.0	3	1.0	-3.5	0
BZX84C4V7M	R1	4.7	4.4	5.0	5	80	600	1.0	3	2.0	-3.5	0.2
BZX84C5V1M	R2	5.1	4.8	5.4	5	60	500	1.0	2	2.0	-2.7	1.2
BZX84C5V6M	R3	5.6	5.2	6.0	5	40	480	1.0	1	2.0	-2.0	2.5
BZX84C6V2M	R4	6.2	5.8	6.6	5	10	400	1.0	3	4.0	0.4	3.7
BZX84C6V8M	R5	6.8	6.4	7.2	5	15	150	1.0	2	4.0	1.2	4.5
BZX84C7V5M	R6	7.5	7.0	7.9	5	15	80	1.0	1	5.0	2.5	5.3
BZX84C8V2M	R7	8.2	7.7	8.7	5	15	80	1.0	0.7	5.0	3.2	6.2
BZX84C9V1M	R8	9.1	8.5	9.6	5	15	80	1.0	0.5	6.0	3.8	7.0
BZX84C10M	R9	10	9.4	10.6	5	20	100	1.0	0.2	7.0	4.5	8.0
BZX84C11M	P1	11	10.4	11.6	5	20	150	1.0	0.1	8.0	5.4	9.0
BZX84C12M	P2	12	11.4	12.7	5	25	150	1.0	0.1	8.0	6.0	10.0
BZX84C13M	P3	13	12.4	14.1	5	30	150	1.0	0.1	8.0	7.0	11.0
BZX84C15M	P4	15	13.8	15.6	5	30	170	1.0	0.1	10.5	9.2	13.0
BZX84C16M	P5	16	15.3	17.1	5	40	200	1.0	0.1	11.2	10.4	14.0
BZX84C18M	P6	18	16.8	19.1	5	45	200	1.0	0.1	12.6	12.4	16.0
BZX84C20M	P7	20	18.8	21.2	5	55	225	1.0	0.1	14.0	14.4	18.0
BZX84C22M	P8	22	20.8	23.3	5	55	225	1.0	0.1	15.4	16.4	20.0
BZX84C24M	P9	24	22.8	25.6	5	70	250	1.0	0.1	16.8	18.4	22.0
BZX84C27M	PA	27	25.1	28.9	2	80	250	0.5	0.1	18.9	21.4	25.3
BZX84C30M	PB	30	28	32	2	80	300	0.5	0.1	21.0	24.4	29.4
BZX84C33M	PC	33	31	35	2	80	300	0.5	0.1	23.1	27.4	33.4
BZX84C36M	PD	36	34	38	2	90	325	0.5	0.1	25.2	30.4	37.4
BZX84C39M	PE	39	37	41	2	130	350	0.5	0.1	27.3	33.4	41.2

**Notes:**

1. Valid provided that device terminals are kept at ambient temperature.
2. Short duration pulse test used to minimize self-heating effect.
3. f = 1\ Hz.