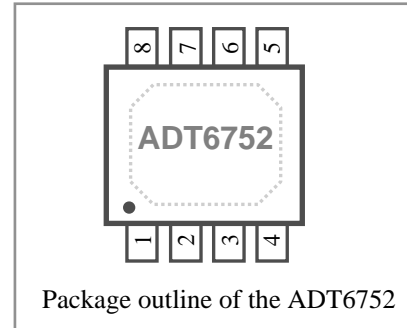


## General Description

The ADT6752 is a step-down converter designed for driving high power LEDs. It operates wide input supply voltage range from 6V to 60V with 1A continuous output current. By using current mode control, it has excellent 1.5% output current accuracy and 96% high efficiency.

With enhanced protection functions, ADT6752 operates safely against abnormal circumstance. The ADT6752 is available in small outline SOP8-PP(with Exposed pad) package.



## Features

- Excellent 1.5% output current accuracy
- Maximum 1A output current
- Wide input voltage range : 6V to 60V
- Up to 96% high efficiency
- Full protection supported (Thermal, OCP, UVLO, Soft-start, LED open protection)
- 300kHz fixed frequency
- Integrated jitter function
- Thermal compensation
- Integrated power switch : 600mΩ

## Applications

- Constant Current LED Driving
- LED lighting (MR16, Area, Street lamp etc.)
- Automotive lighting
- Architecture lighting
- Appliances interior lighting

## Typical Application Circuit

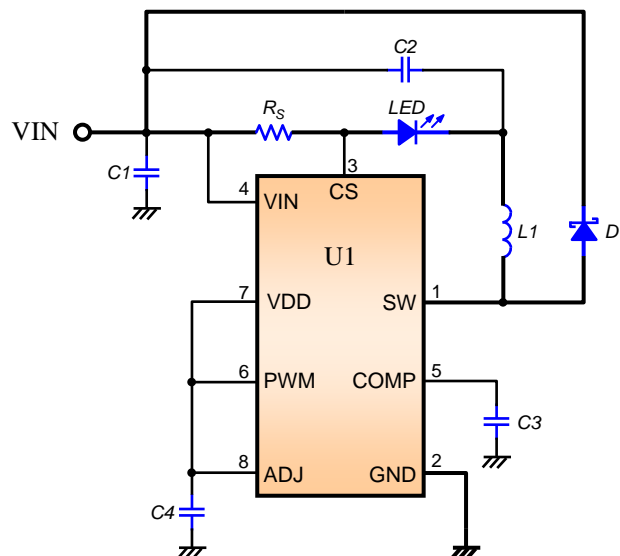


Figure 1. Typical Application Circuit

\* This specifications are subject to be changed without notice