

60mm sq.

San Ace 60

15mm thick (GA type), 15mm thick
 20mm thick (GA type), 20mm thick
 25mm thick (S type), 25mm thick (G type)
 25mm thick, 25mm thick (San Cooler)
 38mm thick (GA type), 38mm thick (GV type)
 38mm thick (G type)



General Specifications

- Material Frame: Plastics (Flammability: UL94V-0),
 Impeller: Plastics (Flammability: UL94V-0)
- Expected Life Refer to specifications (L10: Survival rate: 90% at 60°C ,
 rated voltage, and continuously run in a free air state)
- Lead Wire ⊕red ⊖black (Sensor) yellow (Control) brown
- Storage Temperature -30°C to +70°C (Non-condensing)

60×60×15mm (Mass : 50g) **GA type** **Low Power Consumption Fan**



Specifications The following nos. have PWM controls, pulse sensors, and ribs.

Model No.	Rated Voltage [V]	Operating Voltage Range [V]	PWM duty cycle* [%]	Rated Current [A]	Rated Input [W]	Rated Speed [min ⁻¹]	Max. Air Flow [m ³ /min] [CFM]	Max. Static Pressure [Pa] [inchH ₂ O]	SPL [dB(A)]	Operating Temperature [°C]	Expected Life ^{Typ} [h]
9GA0612P7G01	12	10.2 to 13.8	100	0.16	1.92	5,900	0.68 24	80 0.320	38	-20 to +70	40,000/60°C (70,000/40°C)
			0	0.05	0.60	1,500	0.17 6.0	5.2 0.020	10		
9GA0612P7H01			100	0.10	1.2	4,900	0.56 19.7	55.6 0.223	34		
			0	0.03	0.36	1,300	0.15 5.3	3.9 0.015	8		

Note: Expected life at 40°C ambient is just reference value.

※PWM Frequency : 25kHz

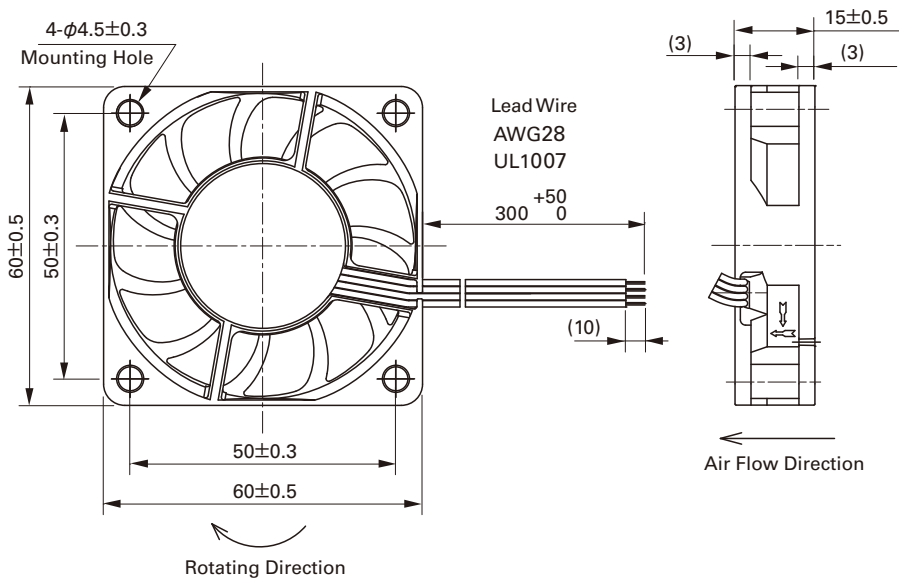
The following nos. have pulse sensors and ribs.

Model No.	Rated Voltage [V]	Operating Voltage Range [V]	Rated Current [A]	Rated Input [W]	Rated Speed [min ⁻¹]	Max. Air Flow [m ³ /min] [CFM]	Max. Static Pressure [Pa] [inchH ₂ O]	SPL [dB(A)]	Operating Temperature [°C]	Expected Life [h]
9GA0612G701	12	6 to 13.8	0.16	1.92	5,900	0.68 24	80 0.320	38	-20 to +70	40,000/60°C (70,000/40°C)
9GA0612H701			0.1	1.2	4,900	0.56 19.7	55.6 0.223	34		
9GA0612M701			0.08	0.96	3,900	0.45 15.9	35.3 0.142	28		
9GA0612L701			0.03	0.36	2,800	0.31 10.9	18 0.072	17		

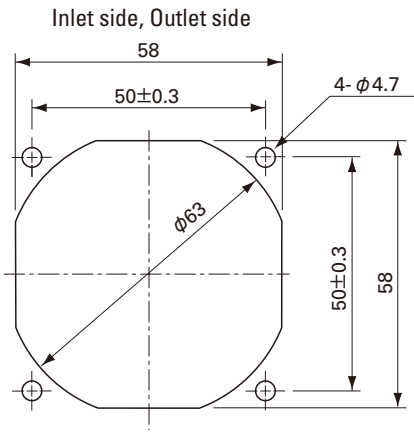
• Available options: ⇒ **Without Sensor** **Pulse Sensor**

• Please inquire as the availability of these functions depend on the model. ⇒ **PWM Control**

Dimensions (Unit : mm) (With PWM speed control function · With pulse sensor)



Reference dimension of mounting holes and vent opening (Unit : mm)



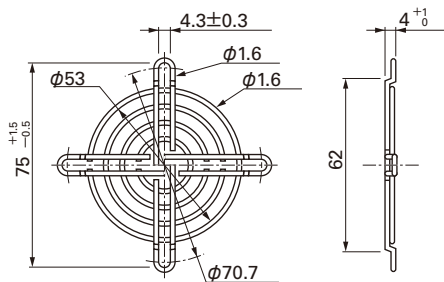
Options (Unit : mm)

Finger guards

Model : 109-139E Surface treatment : Nickel-chrome plating (silver)
 : 109-139H : Cation electropainting (black)

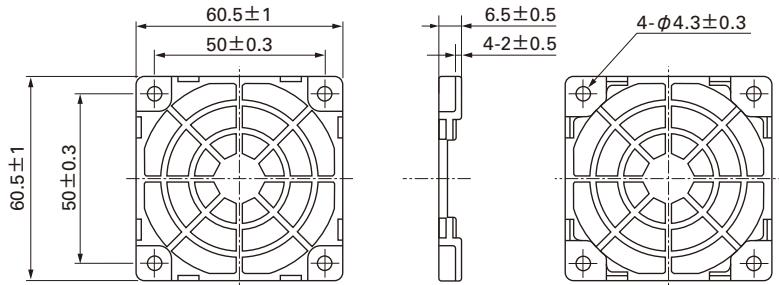
Color

Inlet side, Outlet side



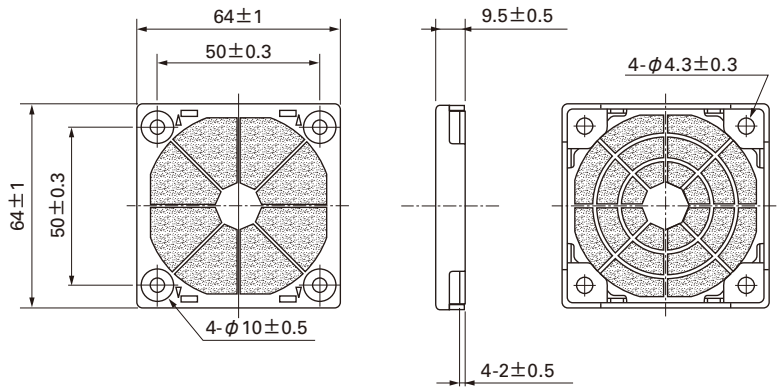
Resin finger guards

Model : 109-1003G



Resin filter kits

Model : 109-1003F13 (13PPI), 109-1003F20 (20PPI)
 : 109-1003F30 (30PPI), 109-1003F40 (40PPI)



60mm sq.

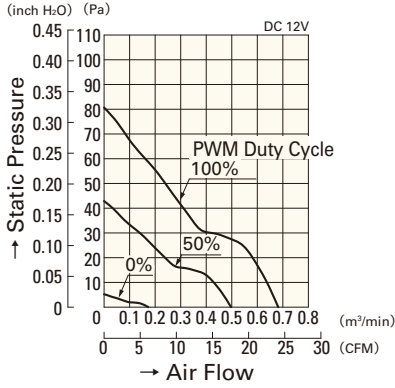
San Ace 60

60×60×15mm [Mass : 50g]

Air Flow - Static Pressure Characteristics

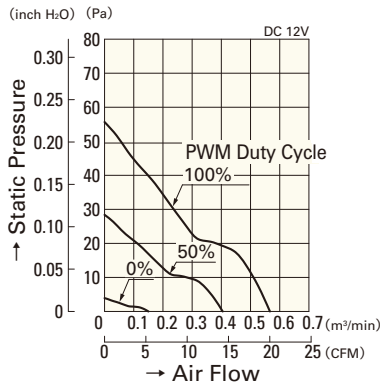
PWM Duty Cycle

With PWM speed control function · With pulse sensor



9GA0612P7G01

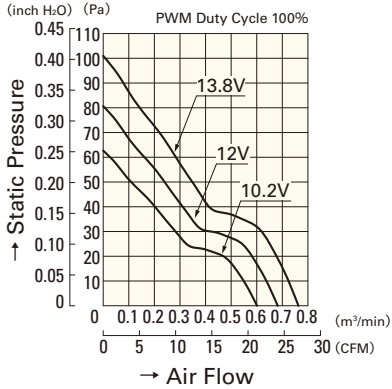
With PWM speed control function · With pulse sensor



9GA0612P7H01

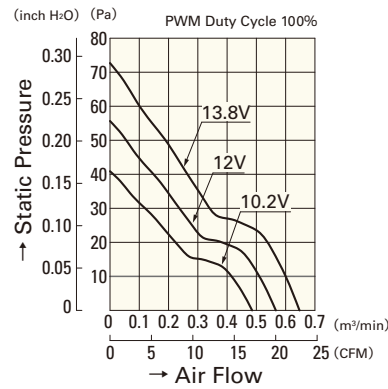
Operating Voltage Range

With PWM speed control function · With pulse sensor



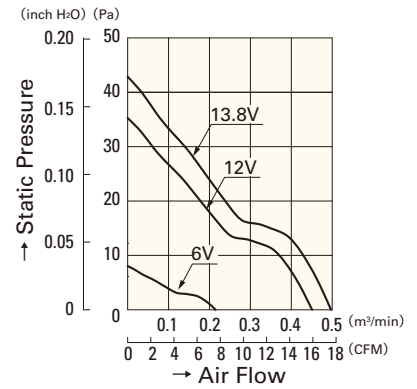
9GA0612P7G01

With PWM speed control function · With pulse sensor



9GA0612P7H01

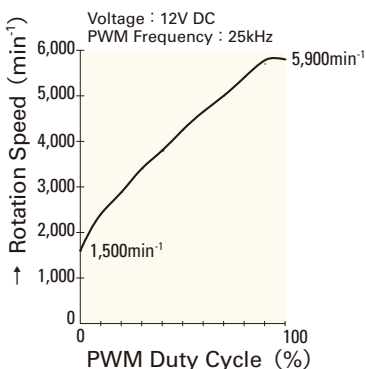
With pulse sensor



9GA0612M701

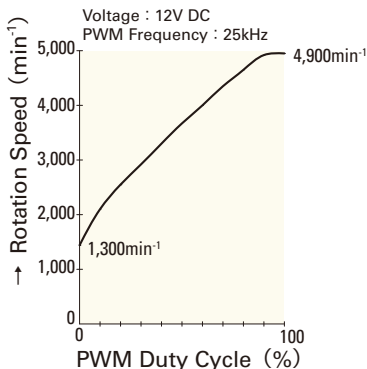
PWM Duty - Speed Characteristics Example

With PWM speed control function · With pulse sensor

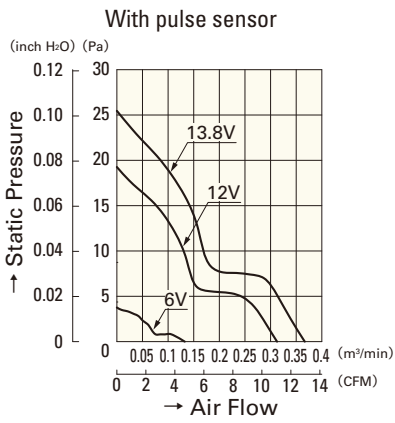


9GA0612P7G01

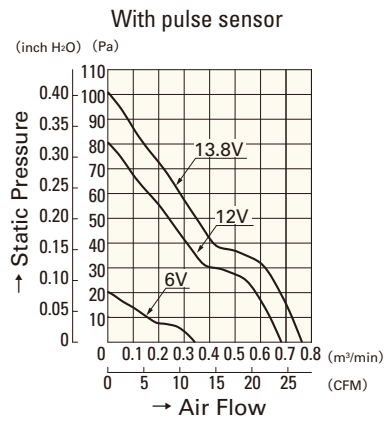
With PWM speed control function · With pulse sensor



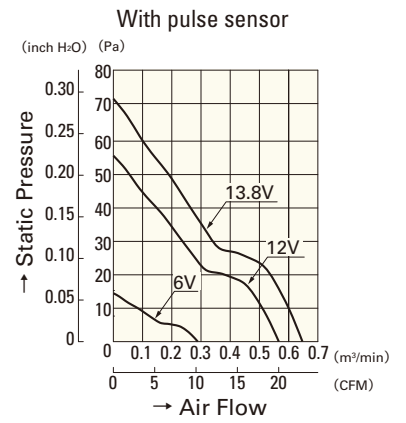
9GA0612P7H01



9GA0612L701



9GA0612G701



9GA0612H701