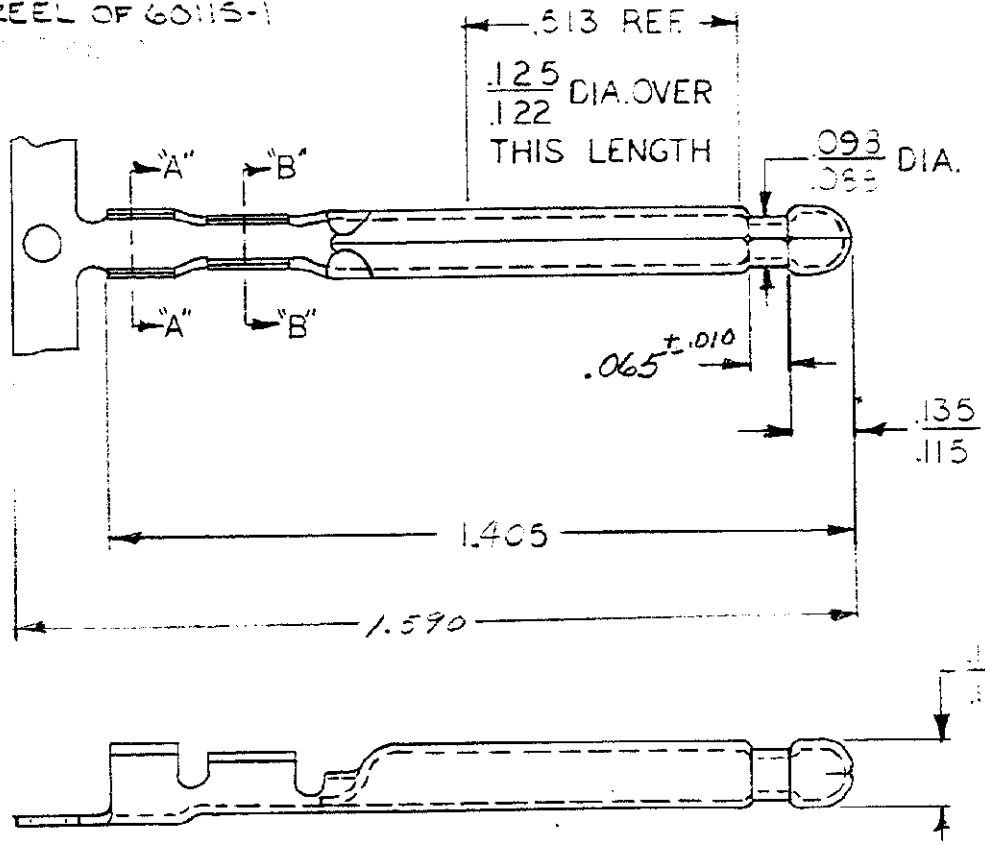


DRAWING MADE IN AMERICAN PROJECTION

NUMBER 60115

REVERSE REEL OF 60115-1
2.



PART	FINISH
60115-1	NONE
60115-2	SILVER
60115-3	PRE-TIN
60115-4 Δ	NONE

DIMENSIONS IN INCHES. DO NOT SCALE PRINT.

K	REV PER AF-6703				3/1/72
J	ADD 60115-4	TTI	2/21/72		2-21-72
H	REV 60115-3	AF	1/23/72		1-23-72
G	OBE 60115-2	A4534	2/1/72		2-28-72
F	REVISED	A4345	2/1/72		10-25-71
E	REVISED	A3094	2/1/72		8-27-71
D	ADD 60115-3	TTI	2/1/72		7-30-71
C	REVISED	A2912	2/1/72		1-22-71
B	REDRAWN	A2058	2/1/72		2/4/72

©1960 BY AMP INCORPORATED, ALL RIGHTS RESERVED. AMP PRODUCTS COVERED BY PATENTS AND/OR PATENTS PENDING.

CUSTOMER COPY REFERENCE ONLY

MATERIAL AND FINISH
.016 BRASS
SEE TABLE



AMP INCORPORATED
HARRISBURG, PENNA.

WIRE RANGE INSULATION
22-20 1090-375

CLASS — H —

TOLERANCE EXCEPT AS NOTED
± .015 ± 1°

TYPE — H —

LOC AF A NO 60115

REVISION RECORD
DR LK ESPENSHADE 2-4-72
CHK KWO SMITH 2-5-72

NAME BLANKET PIN — .125 DIA.