

SOD-123 Plastic-Encapsulate Diodes

2CZ4006 RECTIFICATION DIODE

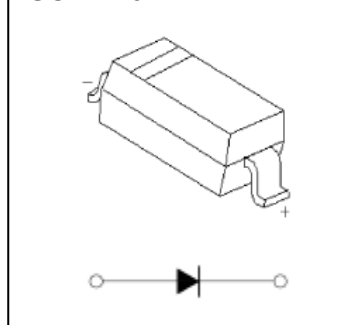
FEATURE

- Low Leakage Current
- Ideal for Surface Mounted Applications

MARKING: Z46

MAXIMUM RATINGS ($T_a=25^{\circ}\text{C}$ unless otherwise noted)

SOD-123



Symbol	Parameter	Value	Unit
V_{RM}	Non-repetitive peak reverse voltage	800	V
$V_{R(RMS)}$	RMS reverse voltage	560	V
I_o	Average rectified output current	1	A
I_{FSM}	Non-repetitive peak forward surge current @8.3ms half sine wave	7.5	A
P_D	Power dissipation	350	mW
$R_{\theta JA}$	Thermal resistance from junction to ambient	357	$^{\circ}\text{C/W}$
T_J	Junction temperature	150	$^{\circ}\text{C}$
T_{stg}	Storage temperature	-55~+150	$^{\circ}\text{C}$

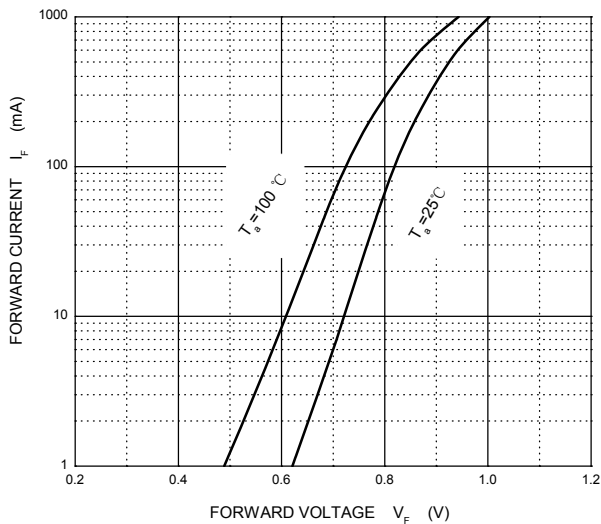
ELECTRICAL CHARACTERISTICS ($T_a=25^{\circ}\text{C}$ unless otherwise specified)

Parameter	Symbol	Test conditions	Min	Typ	Max	Unit
Reverse voltage	$V_{(BR)}$	$I_R=0.1\text{mA}$	800			V
Reverse current	I_R	$V_R=800\text{V}$			5	μA
Forward voltage	V_F	$I_F=1\text{A}$			1.1	V
Total capacitance	C_{tot}	$V_R=4\text{V}, f=1\text{MHz}$			15	pF

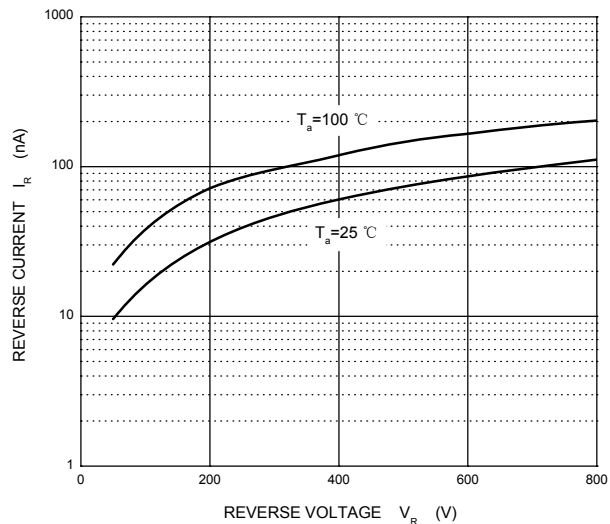


2CZ4006

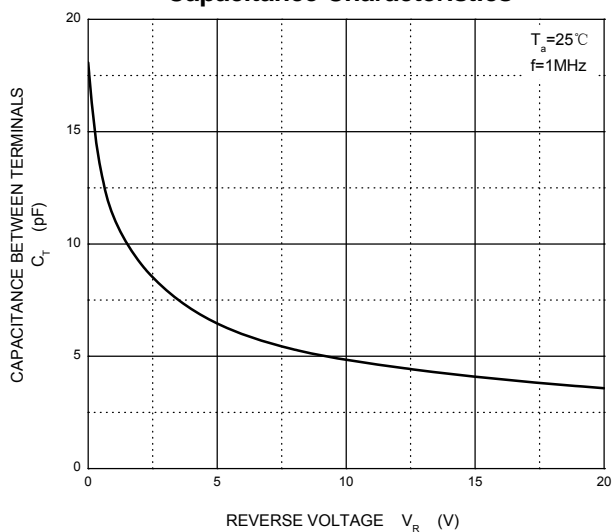
Forward Characteristics



Reverse Characteristics



Capacitance Characteristics



Power Derating Curve

