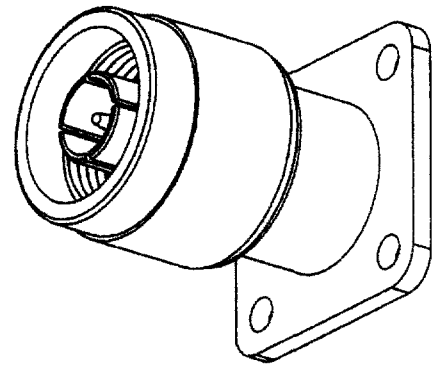


# N Series

75 Ohms

## Screw Thread Coupling



### Features

- Small
- Weatherproof
- For applications below 2 GHz

### Options

- Small and Medium Sized Cables
- Straight, Right-Angle, Long Crimp, Short Crimp, Flange Mount, Single Hole Mount, Printed Circuit Board, Cap and Chain, Termination and Tee types available
- Adapters available

### Specifications

- QQ-B-626
- MIL-G-45204
- MIL-STD-348
- QQ-S-365
- MIL-STD-202
- ZZ-R-765

### Mating Data

- RG-/U Cables (See page 30-9)

### Technical Data

#### Materials

- Body Parts ..... Brass, QQ-B-626, 1/2 HD.
- Contacts
  - ▶ Male ..... Brass QQ-B-626, 1/2 HD.
  - ▶ Female ..... Beryllium copper QQ-C-530  
Heat treated to condition HT
- Insulators ..... PTFE Fluorocarbon
- Gaskets ..... Rubber ZZ-R-765

#### Plating

All parts plated to meet finish and corrosion requirements of MIL-C-39012

- Finish
  - ▶ Gold ..... MIL-G-45204
  - ▶ Nickel ..... IP23
  - ▶ Silver ..... QQ-S-365
  - ▶ Tri-Alloy ..... P20

#### Electrical Performance

- Impedance ..... 75Ω nominal
- Frequency Range ..... 0 to 2 GHz

- Insulation Resistance ..... 5,000 MΩ Minimum
- Voltage Rating ..... 1000 VRMS working Voltage
- Dielectric Withstanding ..... 1,500 VRMS at sea level
- Contact Resistance
  - ▶ Outer contact ..... 0.2 mΩ Maximum
  - ▶ Center contact ..... 1.0 mΩ Maximum

#### Mechanical Performance

- Force to Engage and Disengage
  - ▶ Torque ..... 3 inch-lbs Maximum
- Coupling Nut Retention Force ..... 100 lbs Minimum
- Connector Durability ..... 500 cycles Minimum

#### Operating Environment

- Temperature range ..... -65°C to +165°C
- Corrosion (salt spray) . MIL-STD-202, method 101, cond. B
- Moisture Resistance ..... MIL-STD-202, method 106

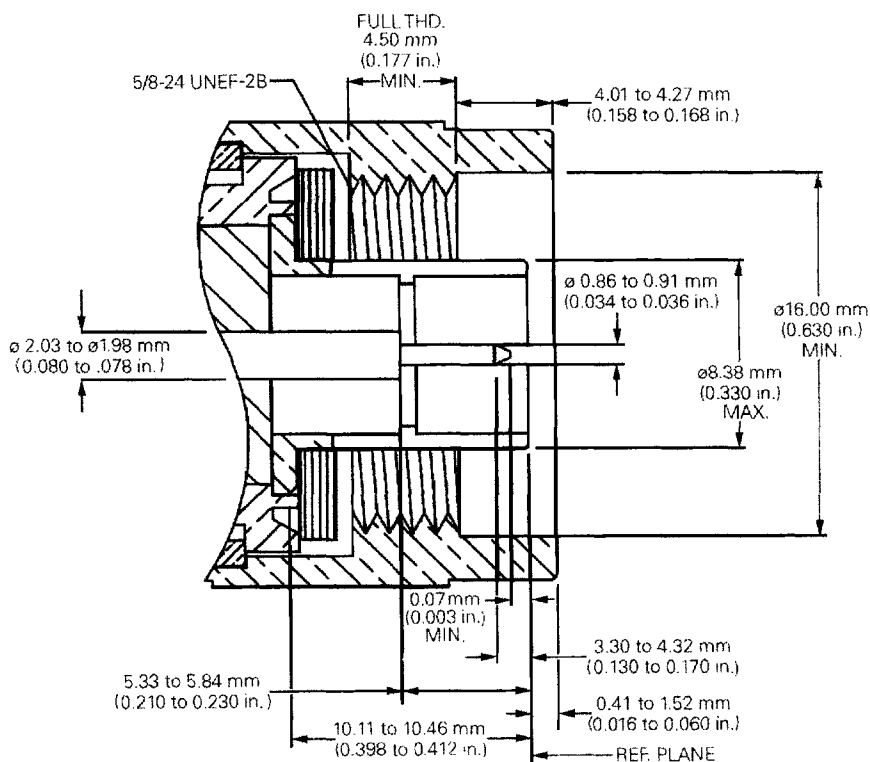
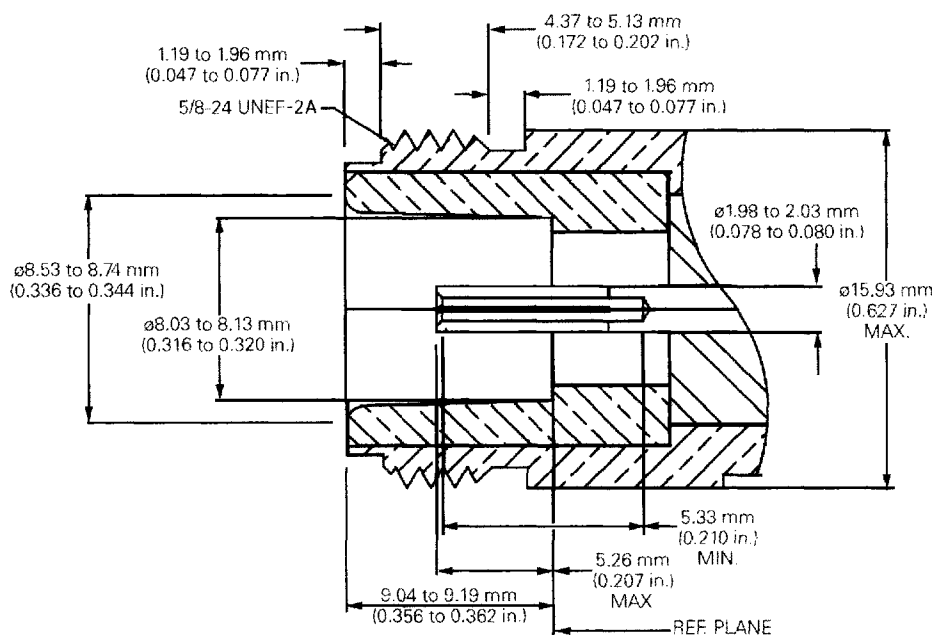
#### Packaging

- Single Bags
- Custom packaging available upon request.

### Customer Support Materials

Description	Order No.	Description	Order No.
Customer Product Drawings.....	By Part Number	Product Samples.....	Upon Request
Product Substitutions .....	Contact Technical Support	Test Data .....	Upon Request

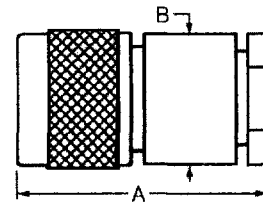
Interface Dimensions per MIL-STD-348



### N 75 Ohm Cable Plugs

#### Description

N 75 Ohm Cable Plug - Straight Cut Straight



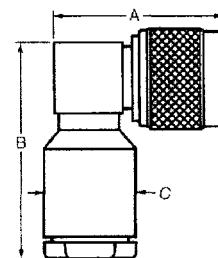
#### Ordering Data

N 75 Ohm Cable Plug - Straight Cut Straight

Part Number	Cable RG-/U	Dimension				Finish	Assembly Instructions	Note
		A		B				
		mm	in.	mm	in.			
25P164-1	59	34.93	1.375	12.70	0.500	Nickel	AI-258	Clamp Cable Termination
25P165-1	59, 62	34.93	1.375	12.70	0.500	Silver	AI-12	
25P171-1	216	38.10	1.500	19.05	0.750	Nickel	AI-81	
25P171-2	11, Belden 8238	38.10	1.500	19.05	0.750	Nickel	AI-81	

#### Description

N 75 Ohm Cable Plug - Straight Cut Right-Angle



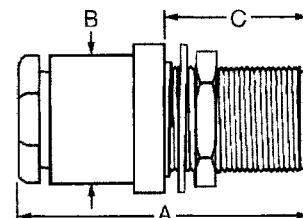
#### Ordering Data

N 75 Ohm Cable Plug - Straight Cut Right-Angle

Part Number	Cable RG-/U	Dimension						Finish	Assembly Instructions
		A		B		C			
		mm	in.	mm	in.	mm	in.		
25P172-1	216	34.93	1.375	40.48	1.594	19.05	0.750	Nickel	AI-81

#### Description

N 75 Ohm Cable Jack - Single Hole Mount Clamp Straight

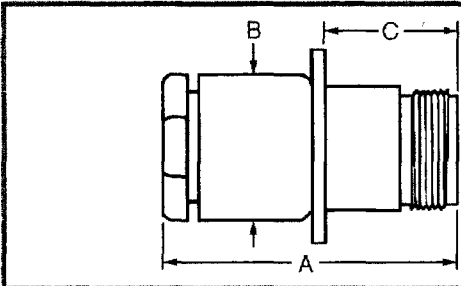


#### Ordering Data

N 75 Ohm Cable Jack - Single Hole Mount Clamp Straight

Part Number	Cable RG-/U	Dimension						Finish	Mtg. Hole	Assembly Instructions
		A		B		C				
		mm	in.	mm	in.	mm	in.			
25JS111-1	59, 62	41.67	1.641	12.70	0.500	23.42	0.922	Silver	DD1	AI-301
25JS137-1	187, 179	41.67	1.641	12.70	0.500	23.42	0.922	Nickel	DD1	AI-159

To obtain Assembly Instructions contact Berg Electronics at 1-800-237-2374 Ext.-2800

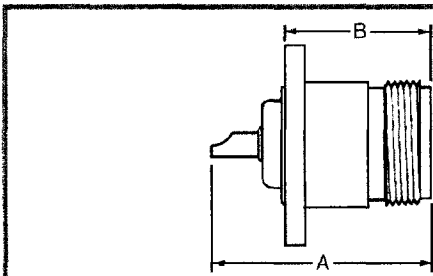


**Description**  
N 75 Ohm Cable Jack -  
Flange Mount Clamp Straight

**Ordering Data**

N 75 Ohm Cable Jack - Flange Mount Clamp Straight

Part Number	Cable RG-/U	Dimension						Finish	Mtg. Plate	Assembly Instructions
		A		B		C				
		mm	in.	mm	in.	mm	in.			
25JF104-1	59	35.32	1.391	12.70	0.500	16.67	0.656	Silver	1A	AI-354

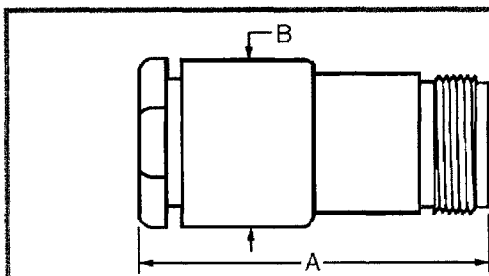


**Description**  
N 75 Ohm Cable Jack -  
Flange Mount Solder Straight

**Ordering Data**

N 75 Ohm Cable Jack - Flange Mount Solder Straight

Part Number	Dimension						Finish	Mtg. Plate
	A		B		Finish	Mtg. Plate		
	mm	in.	mm	in.				
25JR116-1	28.58	1.125	18.65	0.734	Nickel	1A		
25JR152-1	28.58	1.125	22.23	0.875	Silver	2B		



**Description**  
N 75 Ohm Cable Jack - Straight Cut Straight

**Ordering Data**

N 75 Ohm Cable Jack - Straight Cut Straight

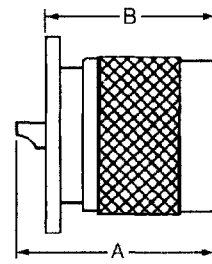
Part Number	Cable RG-/U	Dimension				Finish	Assembly Instructions
		A		B			
		mm	in.	mm	in.		
25J124-1	59, 62	35.32	1.391	12.70	0.500	Silver	AI-12

To obtain Assembly Instructions contact Berg Electronics at 1-800-237-2374 Ext.-2800

### N 75 Ohm Cable Receptacle

#### Description

N 75 Ohm Receptacle Plug - Flange Mount Solder Straight



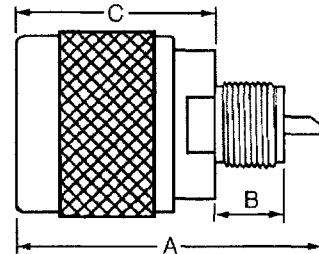
#### Ordering Data

N 75 Ohm Receptacle Plug - Flange Mount Solder Straight

Part Number	Dimension				Finish	Mtg. Plate
	A		B			
	mm	in.	mm	in.		
25PR104-1	27.78	1.094	22.23	0.875	Silver	1A

#### Description

N 75 Ohm Receptacle Plug - Screw Mount Solder Straight



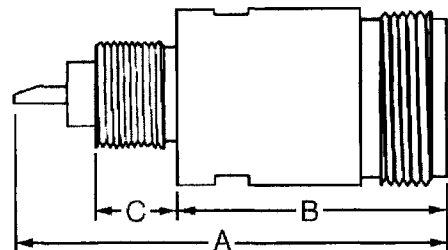
#### Ordering Data

N 75 Ohm Receptacle Plug - Screw Mount Solder Straight

Part Number	Dimension						Finish	Mtg. Hole
	A		B		C			
	mm	in.	mm	in.	mm	in.		
25PR114-1	33.34	1.313	7.54	0.297	22.23	0.875	Nickel	Threaded 3/8-32

#### Description

N 75 Ohm Receptacle Jack - Screw Mount Solder Straight



#### Ordering Data

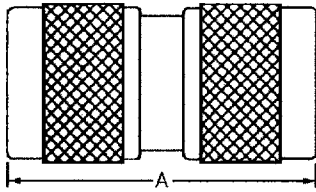
N 75 Ohm Receptacle Jack - Screw Mount Solder Straight

Part Number	Dimension						Finish	Mtg. Hole
	A		B		C			
	mm	in.	mm	in.	mm	in.		
25JR134-1	38.50	1.516	24.13	0.950	7.62	0.300	Nickel	Threaded 3/8-32

To obtain Assembly Instructions contact Berg Electronics at 1-800-237-2374 Ext.-2800

### N 75 Ohm Adapters

**Description**  
N 75 Ohm Adapter - Straight



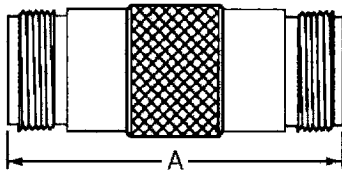
### Ordering Data

N 75 Ohm Adapter - Straight

Part Number	Adapter Ends	Dimension A		Finish
		mm	in.	
25A105-4	Plug-Plug	40.48	1.594	Nickel

### Description

N 75 Ohm Adapter - Straight



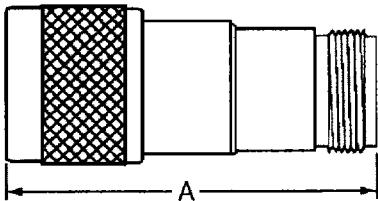
### Ordering Data

N 75 Ohm Adapter - Straight

Part Number	Adapter Ends	Dimension A		Finish
		mm	in.	
25A106-4	Jack-Jack	47.63	1.875	Passivated

### Description

N 75 Ohm Adapter - Straight



### Ordering Data

N 75 Ohm Adapter - Straight

Part Number	Adapter Ends	Dimension A		Finish
		mm	in.	
25A102-1	50Ω Plug-75Ω Jack	42.86	1.688	Nickel