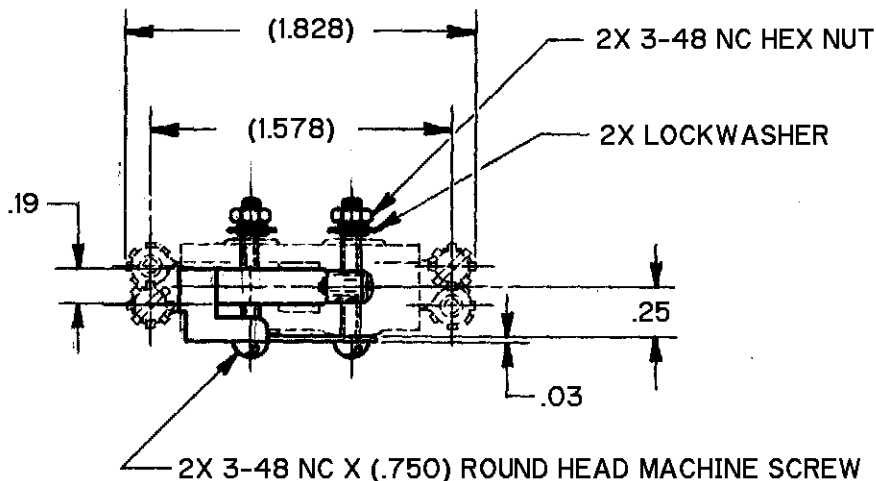
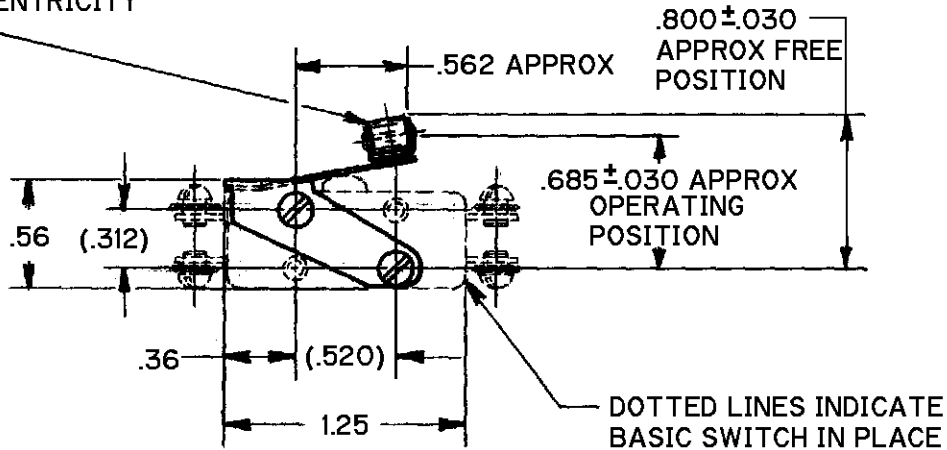


CATALOG LISTING
JT-4
 PAGE 1 OF 1
 RELEASE NO. PR-2573
M
 ISSUE 6
 REVISIONS
A 201989
 T S M
 22 DEC 00
 CHECK
 CHECK
 CHECK
 CHECK
 CHECK
 CHECK
 CHECK
 CHECK
S A V
 22 DEC 00
 22 DEC 00
T S M
 22 DEC 00
 DRAWN
FORMTEK



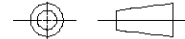
$\varnothing .19 \times .19$ WIDE OIL BRONZE ROLLER (CONCENTRICITY $-.005$ T.I.R.)



NOTE
1 - SCREWS, NUTS AND LOCKWASHERS FURNISHED UNASSEMBLED

THIS DRAWING COVERS A PROPRIETARY ITEM AND IS THE PROPERTY OF MICRO SWITCH, A DIVISION OF HONEYWELL. THIS DRAWING IS NOT TO BE COPIED OR USED WITHOUT THE APPROVAL OF MICRO SWITCH.

THIRD ANGLE PROJECTION



CHARACTERISTICS	ELECTRICAL DATA
OPERATING FORCE - - - - - 16 OZ MAX	CONTACT ARRANGEMENT
RELEASE FORCE - - - - - 2 OZ MIN	
DIFFERENTIAL TRAVEL - - - - .062 MAX	
OVERTRAVEL - - - - - .025 MIN	

SCALE	FULL	DO NOT SCALE PRINT
UNLESS OTHERWISE SPECIFIED TOLERANCES ARE		
ONE PLACE	(.0)	±.030
TWO PLACE	(.00)	±.015
THREE PLACE	(.000)	±.005
ANGLES		±
WEIGHT		