

**RECEPTACLE FOR FRONT PANEL MOUNTING.**

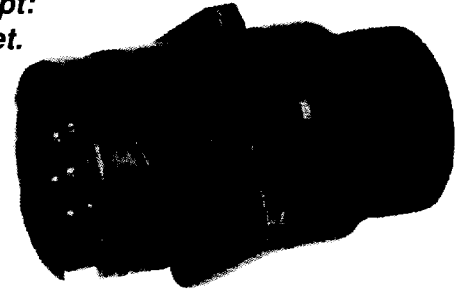
**CIR 00G2 / 00AG2**

**CIR 00G2**

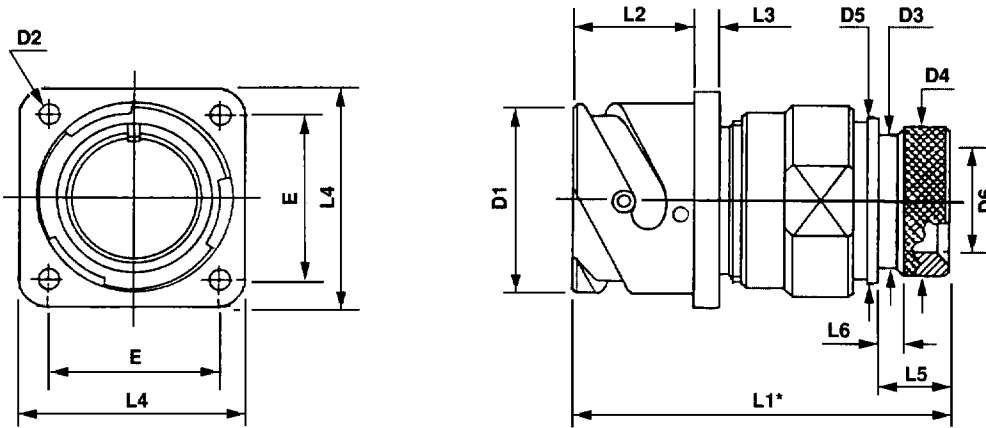
*Receptacle with through mounting holes, individual wire sealing grommet and a two piece swivel backshell for heat shrinkable tubing. Environment proof.*

**CIR 00AG2**

*Same as CIR 00G2 except: No wire sealing grommet.*



For optional types of mounting holes see page 10. For panel cut-out dimensions see page 9.



*\*Dimension L1\* will vary from the values indicated for some special insert configurations. Verify with our Customer Service department.*

	D1	D2	D3	D4	D5	D6	E	L1*	L2	L3	L4	L5	L6
Shell	+0.0	+0.1							+0.4				
Size	-0.15	-0.0	±0.1	—	±0.1	±0.1	±0.1	MAX.	-0.0	±0.2	±0.3	±0.1	±0.1
10SL	18.2	3.2	13	15.5	17	8.6	18.2	49.8	14.2	2.8	25.4	11.7	3.5
14S	24.6	3.2	16.8	19.1	20.1	11.2	23	49.8	14.2	3.2	30	11.7	3.5
16S	27.4	3.2	21.7	23.9	23.5	14	24.6	50.6	14.2	3.2	32.5	11.7	3.5
16	27.4	3.2	21.7	23.9	23.5	14	24.6	60.1	19	3.2	32.5	11.5	3.5
18	30.8	3.2	21.7	23.9	26.5	16.4	27	59.6	19	4	35	11.5	3.5
20	34.2	3.2	26.1	29.6	30.2	19.3	29.4	60.3	19	4	38	12.4	3.5
22	37.4	3.2	26.1	29.6	33.6	22	31.8	60.3	19	4	41	12.4	3.5
24	40.9	3.7	34.3	37.8	36.1	25	34.9	62.9	20.6	4	44.5	12.7	3.5
28	46.7	3.7	34.3	37.8	41.4	28	39.7	64.7	20.6	4	50.8	12.7	3.5
32	53.4	4.3	43.4	47.8	48.6	34.8	44.5	67	22.2	4	57	15.2	3.5
36	59.6	4.3	43.4	47.8	54.8	38.7	49.2	67	22.2	4	63.5	15.2	3.5
40	65.5	4.3	52.6	57.8	61	48.2	55.5	67.3	22.2	4	69.9	15.5	3.5

CIR 00G2/00AG2