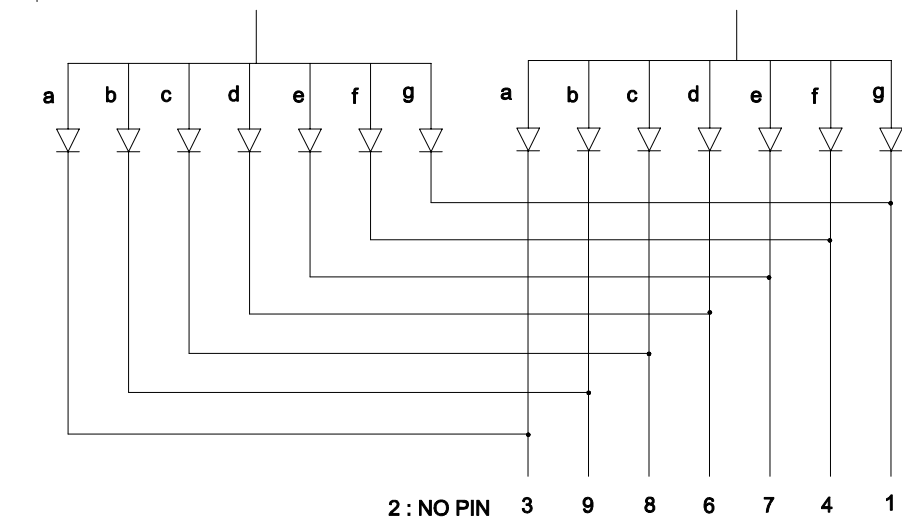
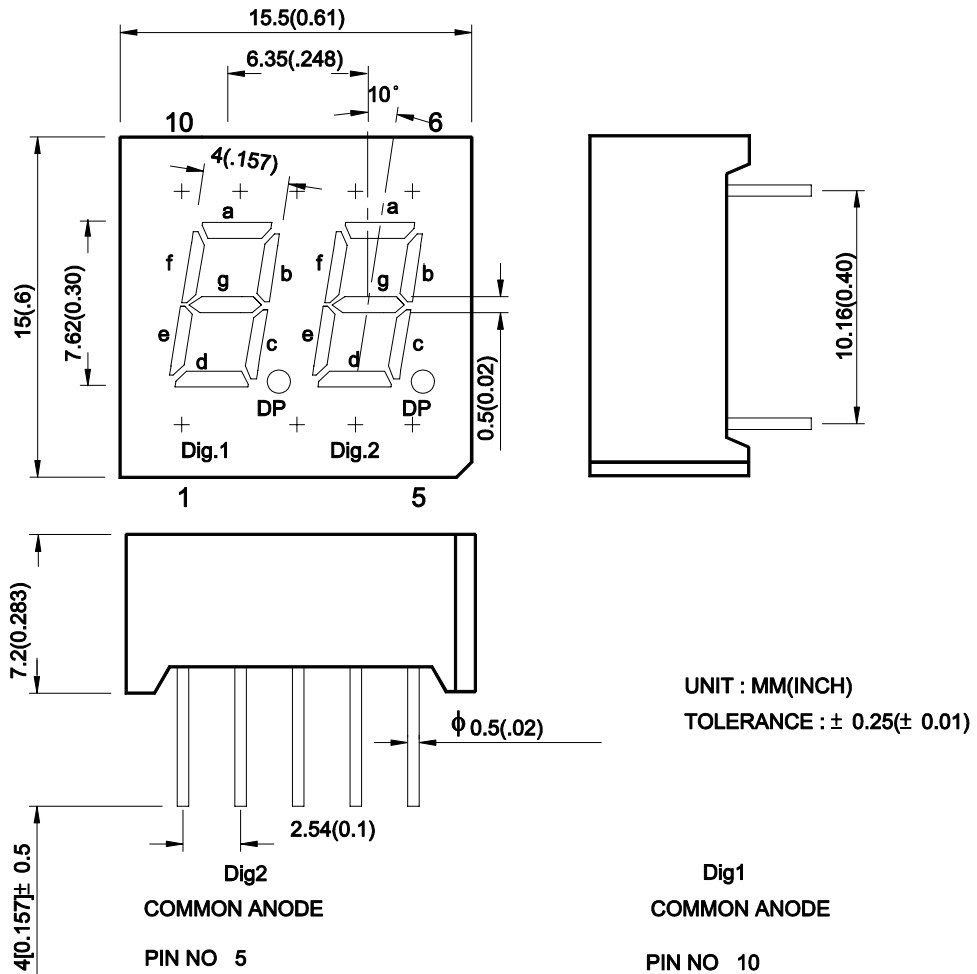


0.3 INCH DUAL DISPLAY



Selection Guide

Part No.	Dice	Lens Type	Iv (mcd) @10mA		Surface Color
			Min.	Typ.	
DA03-11MBWA	BLUE (GaN)	WHITE DIFFUSED	0.8	2.5	GRAY

APPROVED:
J. Lu

CHECKED:
J. Chao

DRAWN :
L.N. Sheu

SCALE :
3 : 1

DATA NO. : F7425
DATE : JUL/28/2000

V.1