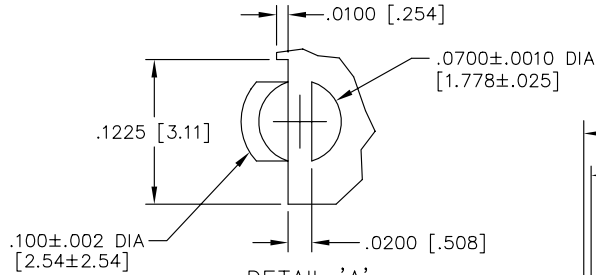


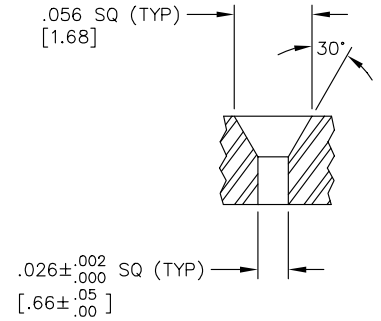
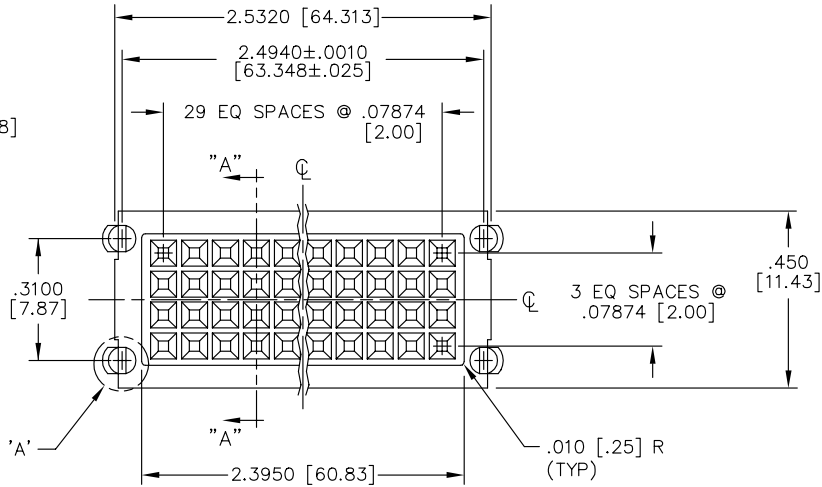
DIMENSIONS ARE IN INCHES		UNLESS OTHERWISE NOTED	TOLERANCES ARE:
ONE PLACE DECIMALS ± .1 [2.5]	THREE PLACE DECIMALS ± .005 [0.127]	ANGLES	± 2°
TWO PLACE DECIMALS ± .01 [0.25]	FOUR PLACE DECIMALS ± .0020 [0.051]		

TITLE: ELEVATED SQT ASSM SHROUD

DWG NO: ATS-30-Q
SHEET 1 OF 1

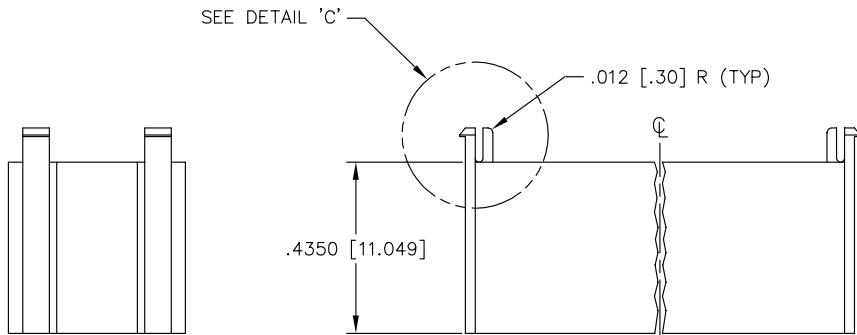


DETAIL 'A'
SCALE: 3x
(4 PLCS)

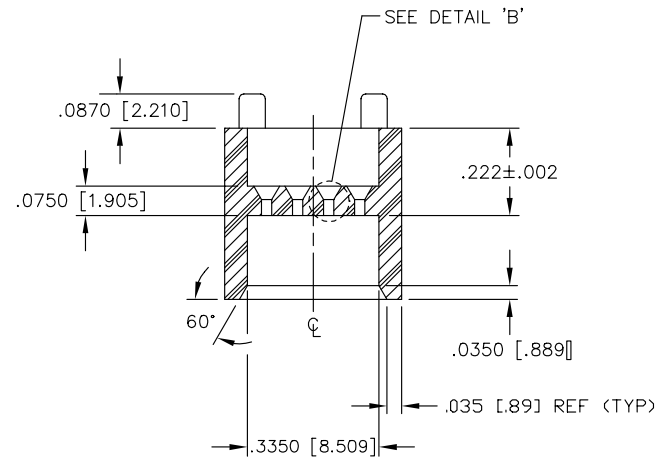


DETAIL 'B'
SCALE: 3x

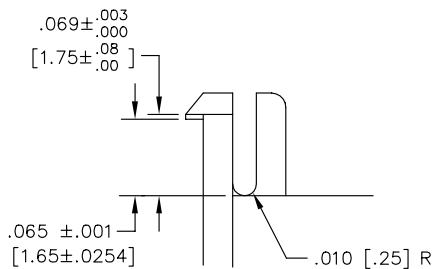
DO NOT SCALE FROM THIS PRINT



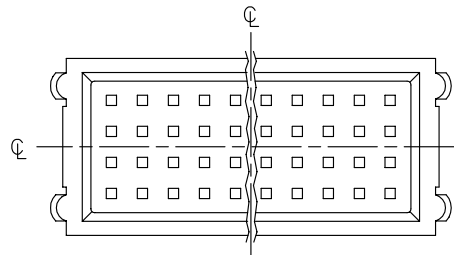
SEE DETAIL 'C'



SECT. "A-A"



DETAIL 'C'
SCALE: 3x
(4 PLCS)



MATERIAL:
LCP VECTRA E-1301
COLOR: BLACK
MAX BOW ALLOWED: .005 [.13]
MAX FLASH ALLOWED: .005 [.13]
25% MAX REGRIND

PLOT SCALE: 1=25

samtec

520 PARK EAST BLVD. NEW ALBANY, INDIANA 47150
PHONE (812) 944-6733 P.O. BOX 1147
CODE 55322

MISC\MKTG
ATS-MKT

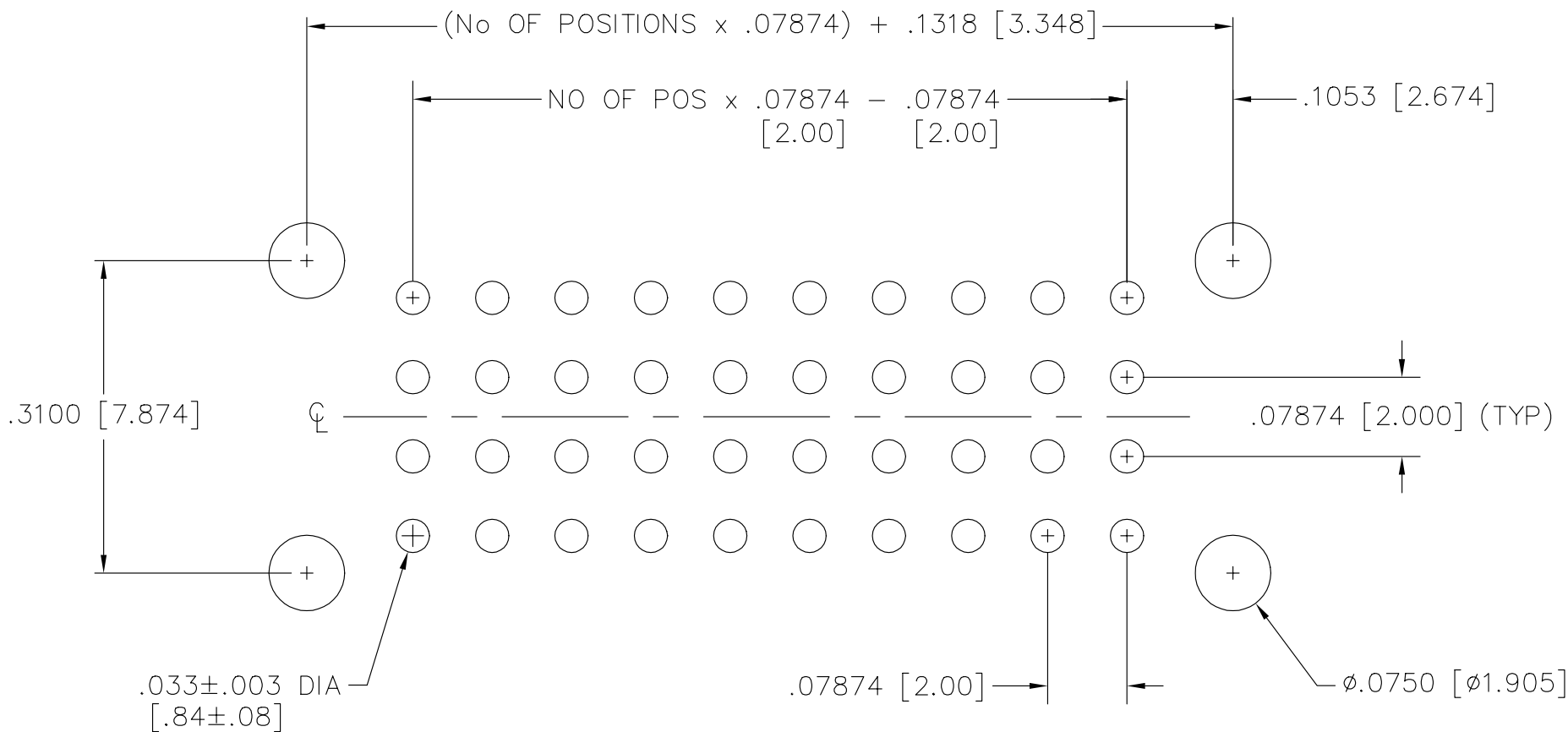
MADE BY: BRATCHER 9-6-95

ATS-30-Q
SHEET 1 OF 1

PROPRIETARY NOTE
THIS DOCUMENT CONTAINS INFORMATION CONFIDENTIAL AND PROPRIETARY TO SAMTEC INC. AND SHALL NOT BE REPRODUCED OR TRANSFERRED TO OTHER DOCUMENTS OR DISCLOSED TO OTHERS OR USED FOR ANY PURPOSE OTHER THAN THAT FOR WHICH IT WAS OBTAINED WITHOUT THE EXPRESSED WRITTEN CONSENT OF SAMTEC INC.

REV A

RECOMMENDED P.C. BOARD LAYOUT FOR ATS-Q



PLOT SCALE: 1 = .1



MISC\MKTG\FOOTPRINT
ATS-Q

810 PROGRESS BLVD. NEW ALBANY, INDIANA 47150
PHONE (812) 944-6733 P.O. BOX 1147