

φ172mm

San Ace 172

- 25mm thick(Sidecut type)
- 51mm thick(Sidecut type SG type)
- 51mm thick(Sidecut type GV type)
- 51mm thick(Sidecut type)
- 51mm thick(Round type)



General Specifications

- Material Frame: Aluminum, Impeller: Plastics (Flammability: UL94V-1)
- Expected Life Refer to specifications (L10:Survival rate:90% at 60°C , rated voltage, and continuously run in a free air state)
- Lead Wire ⊕red ⊖black (Sensor) yellow (Control) brown
- Storage Temperature -30°C to +70°C (Non-condensing)

φ172mm × 150mm × 51mm (Mass : 760g) **SideCut type** **SG type**

Specifications

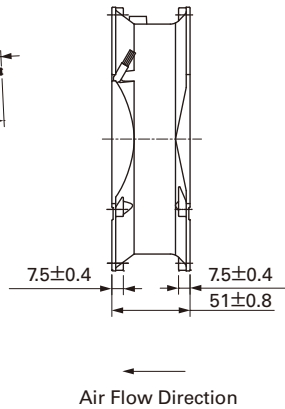
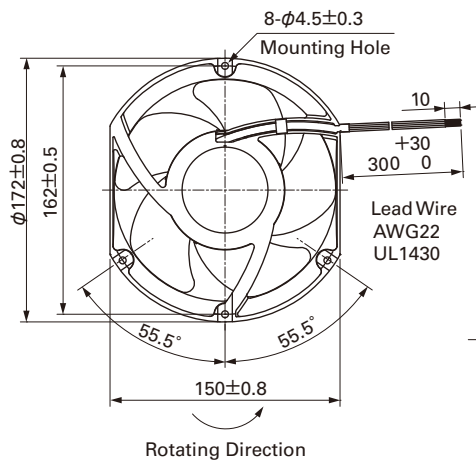
The following nos. **have PWM controls and pulse sensors.**

Model No.	Rated Voltage [V]	Operating Voltage Range [V]	PWM duty cycle※ [%]	Rated Current [A]	Rated Input [W]	Rated Speed [min ⁻¹]	Max. Air Flow [m ³ /min] [CFM]	Max. Static Pressure [Pa] [InchH ₂ O]	SPL [dB(A)]	Operating Temperature [°C]	Expected Life [h]
9SG5724P5H61	24	20.4 to 27.6	100	2.8	67.2	6,500	11.6 410	540 2.16	71	-20 to +70	40,000
			0	0.18	4.32	1,300	2.32 81.9	30 0.12	28		
9SG5748P5G01	48	36 to 72	100	2.91	140	8,600	15.46 546	1,000 4.02	78	-20 to +60	
			0	0.21	10.1	2,000	3.59 127	75.1 0.30	40		
9SG5748P5H01			100	1.62	78	6,500	11.60 410	770 3.09	71		
			0	0.21	10.1	2,000	3.59 127	75.1 0.30	40		

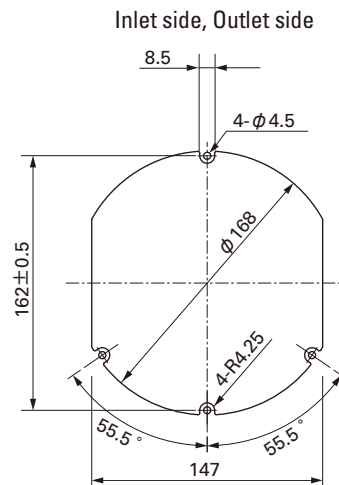
Available options: ⇒ **Without Sensor** **Pulse Sensor**

※PWM Frequency : 25kHz

Dimensions (Unit : mm)



Reference dimension of mounting holes and vent opening (Unit : mm)

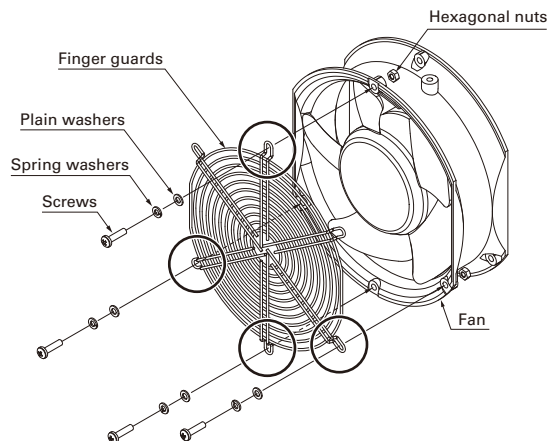
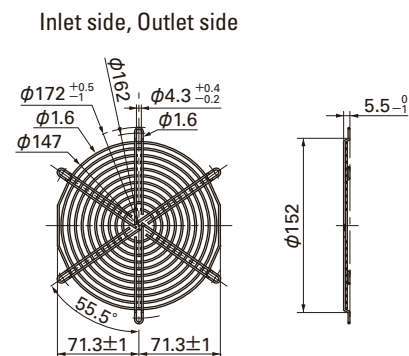


Options (Unit : mm)

Finger guards

Model : 109-319J Surface treatment : Nickel-chrome plating (silver) Color

For the finger guard Model: 109-319J, fix the finger guard to four holes as shown in the diagram.



Options (Unit : mm)

Finger guards

Model : 109-319E Surface treatment : Nickel-chrome plating (silver)
: 109-319H : Cation electropainting (black)

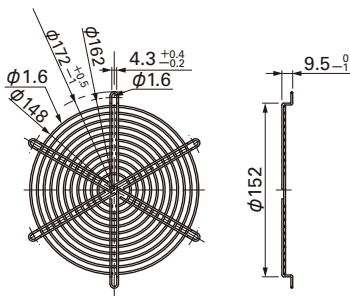
Color

Model : 109-320 Surface treatment : Nickel-chrome plating (silver)

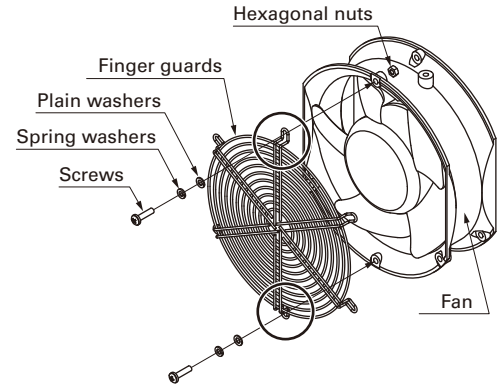
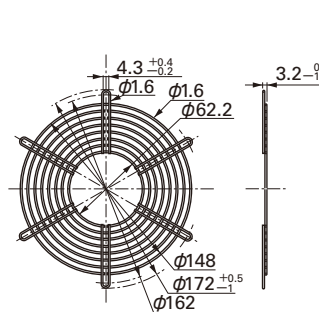
Color

For the finger guard Model: 109-319E, 109-319H, 109-320, fix the finger guard to two holes as shown in the diagram. Do not fix it to any other holes.

Inlet side, Outlet side

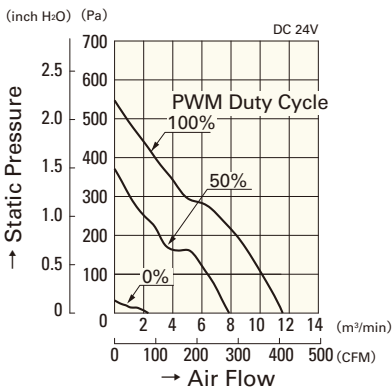


Outlet side

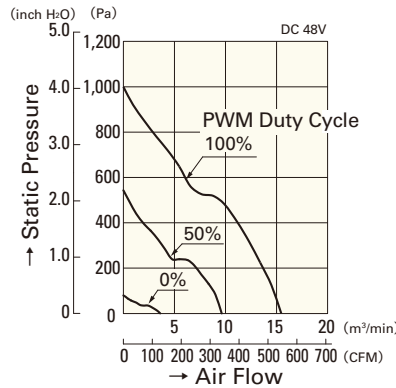


Air Flow - Static Pressure Characteristics

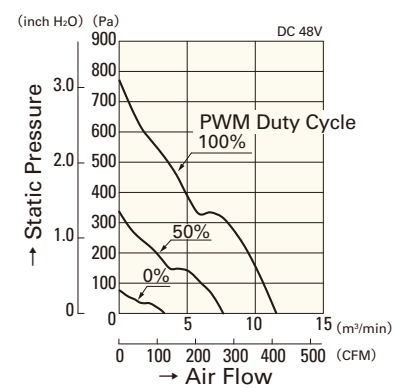
PWM Duty Cycle



9SG5724P5H61

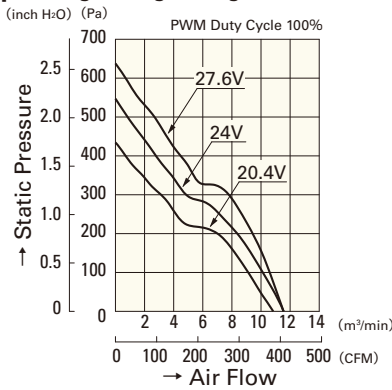


9SG5748P5G01

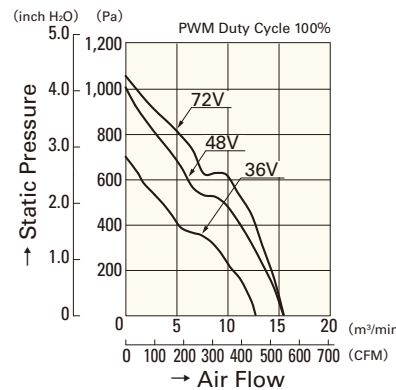


9SG5748P5H01

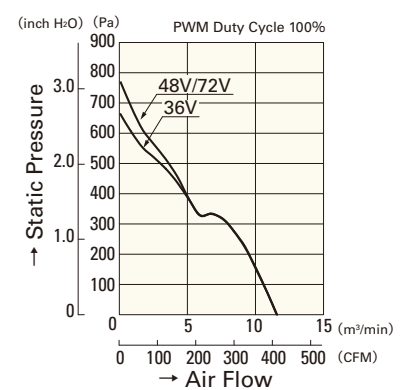
Operating Voltage Range



9SG5724P5H61

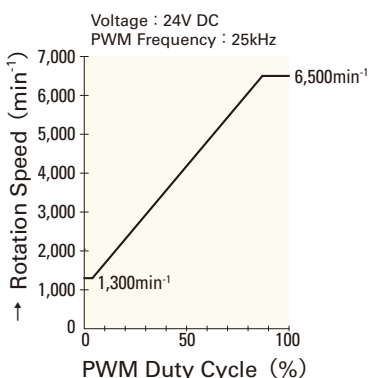


9SG5748P5G01

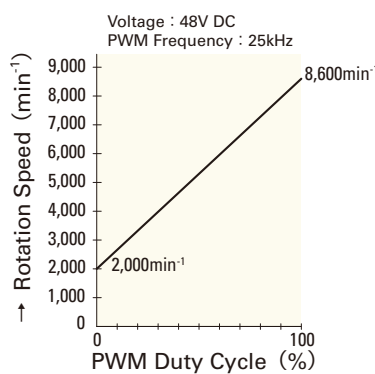


9SG5748P5H01

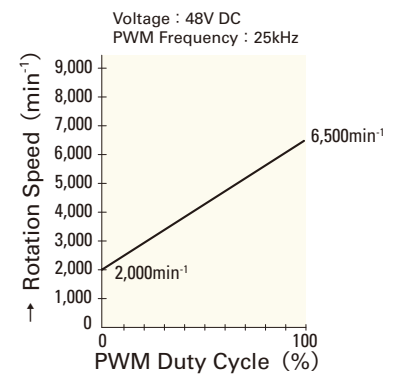
PWM Duty - Speed Characteristics Example



9SG5724P5H61



9SG5748P5G01



9SG5748P5H01