

**80**mm sq.

# San Ace 80

15mm thick (GA type), 15mm thick, 20mm thick (GA type)  
 20mm thick, 25mm thick (GA type), 25mm thick (S type)  
 25mm thick (GV type), 25mm thick  
 25mm thick (San Cooler), **32mm thick (GA type)**  
 32mm thick, 38mm thick (HV type), 38mm thick (GA type)  
 38mm thick (GV type), 38mm thick (G type)



## General Specifications

- Material ..... Frame: Plastics (Flammability: UL94V-0),  
 Impeller: Plastics (Flammability: UL94V-0)
- Expected Life ..... Refer to specifications (L10: Survival rate: 90% at 60°C ,  
 rated voltage, and continuously run in a free air state)
- Lead Wire ..... ⊕red ⊖black (Sensor) yellow (Control) brown
- Storage Temperature ..... -30°C to +70°C (Non-condensing)

**80×80×32mm** (Mass : 130g) **GA type** **High Air Flow Low Power Consumption Fan**



## Specifications

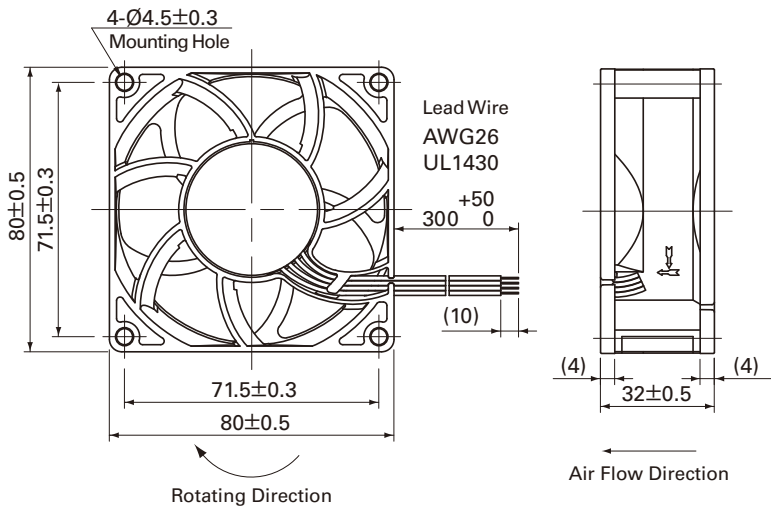
The following nos. **have PWM controls, pulse sensors, and ribs.** For ribless, append "1" to the model no.

Model No.	Rated Voltage [V]	Operating Voltage Range [V]	PWM duty cycle* [%]	Rated Current [A]	Rated Input [W]	Rated Speed [min <sup>-1</sup> ]	Max. Air Flow [m <sup>3</sup> /min] [CFM]	Max. Static Pressure [Pa] [inchH <sub>2</sub> O]	SPL [dB(A)]	Operating Temperature [°C]	Expected Life [h]
9GA0812P2S001	12	10.2 to 13.8	100	0.83	9.96	9,700	2.45 86.5	360 1.45	57	-20 to +70	40,000
			0	0.08	0.96	2,800	0.71 25.1	30 0.12	24		
10.2 to 12.6		100	0.59	7.08	8,700	2.20 77.7	294 1.18	54			
		0	0.05	0.6	2,600	0.66 23.3	26 0.105	21			
9GA0812P2M001	12	10.2 to 12.6	100	0.35	4.2	6,700	1.69 59.6	171 0.68	47	-20 to +55	40,000
			0	0.04	0.48	1,400	0.35 12.3	7.5 0.03	10		
20.4 to 27.6		100	0.42	10.1	9,700	2.45 86.5	360 1.45	57			
		0	0.05	1.2	2,800	0.71 25.1	30 0.12	24			

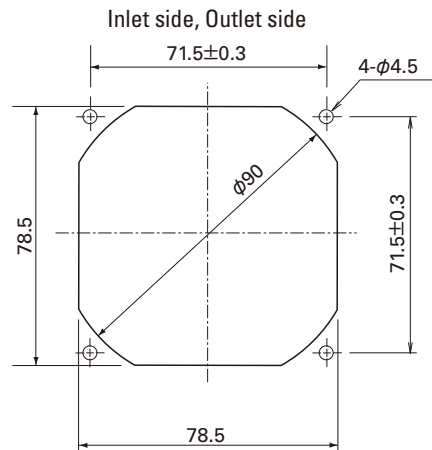
Available options: ⇒ **Without Sensor** **Pulse Sensor**

※PWM Frequency : 25kHz

## Dimensions (Unit : mm) (With ribs)



## Reference dimension of mounting holes and vent opening (Unit : mm)



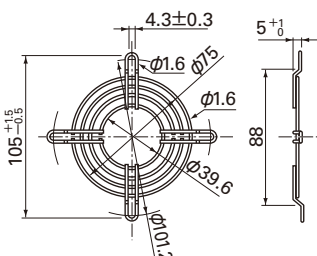
## Options (Unit : mm)

### Finger guards

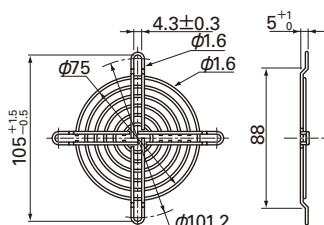
Model : 109-049C Surface treatment : Nickel-chrome plating (silver)

Color : Nickel-chrome plating (silver)  
 Model : 109-049E Surface treatment : Nickel-chrome plating (silver)  
 : 109-049H : Cation electropainting (black)

Outlet side



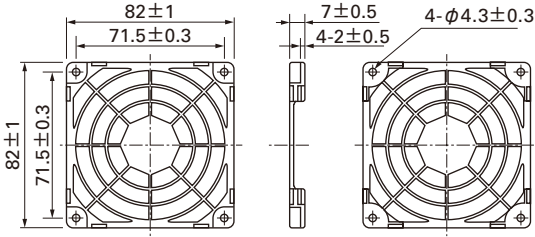
Inlet side, Outlet side



Options (Unit : mm)

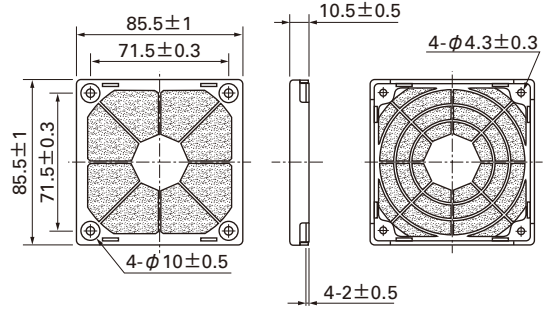
Resin finger guards

Model : 109-1002G



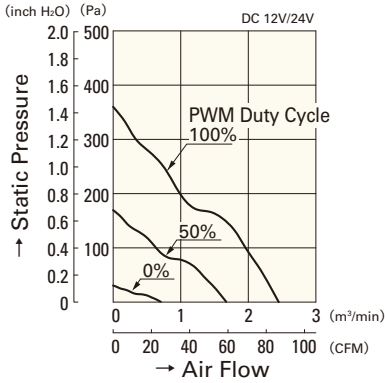
Resin filter kits

Model : 109-1002F13 (13PPI), 109-1002F20 (20PPI)  
: 109-1002F30 (30PPI), 109-1002F40 (40PPI)

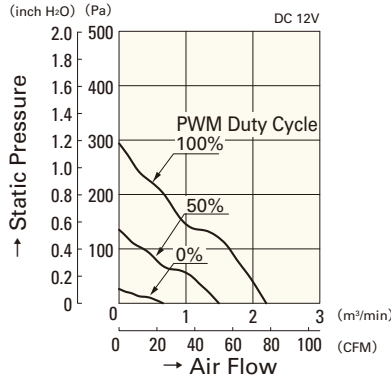


Air Flow - Static Pressure Characteristics

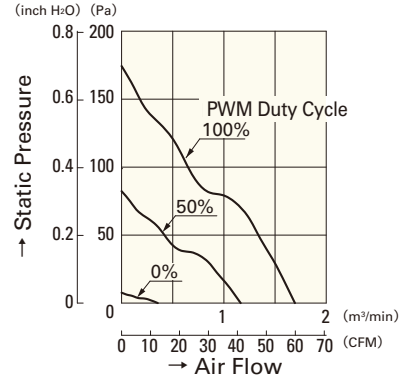
PWM Duty Cycle



9GA0812P2S001  
9GA0824P2S001

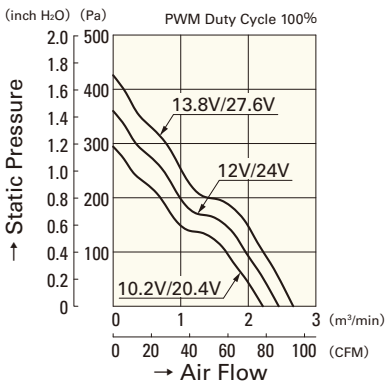


9GA0812P2H001

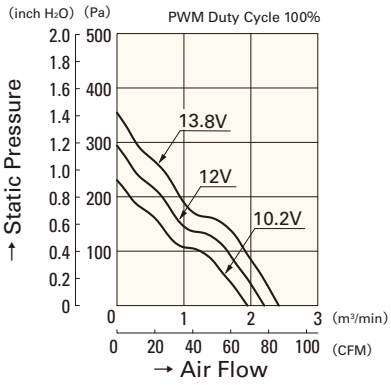


9GA0812P2M001

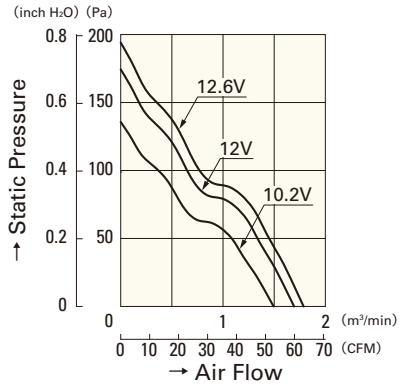
Operating Voltage Range



9GA0812P2S001  
9GA0824P2S001

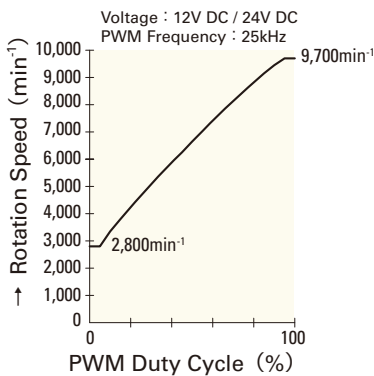


9GA0812P2H001

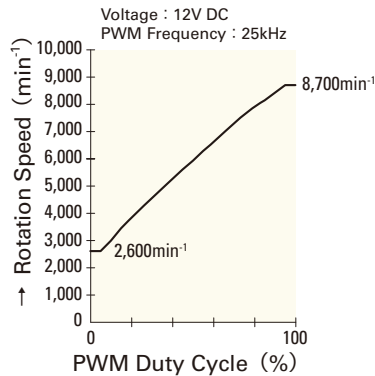


9GA0812P2M001

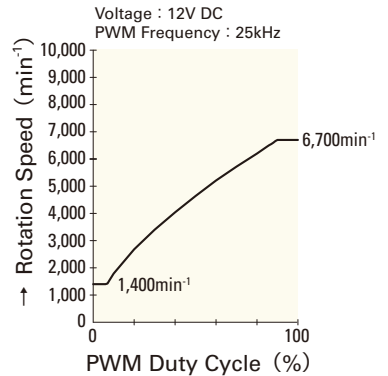
PWM Duty - Speed Characteristics Example



9GA0812P2S001  
9GA0824P2S001



9GA0812P2H001



9GA0812P2M001