

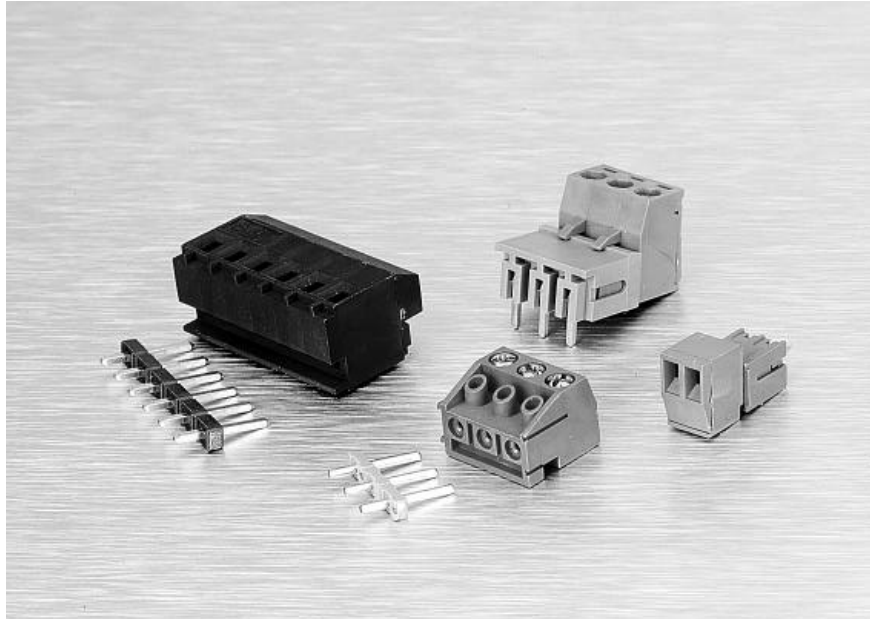
**DESCRIPTION/APPLICATION**

Designed to European specifications, these two piece blocks provide interconnection between wire and PC board. Wire is terminated at the connector and the header is mounted to the PC board. The pluggable design expedites field servicing and troubleshooting.

**DESIGN ADVANTAGES**

- Pitches Available:
  - 3,5mm (0.138")
  - 5,0mm (0.197")
  - 5,08mm (0.200")
  - 7,0mm (0.276")
  - 10,0mm (0.394")
  - 10,16mm (0.400")
- Locking fingers provide secure "vibration-proof" connection.
- Mate with either closed-end or open-end shrouded headers.
- Available in two connection styles:
  - Cage clamp for superior connection.
  - Wire protection for economical designs.
- Vertical, horizontal, or universal mounting.
- Optional press-on coding key and polarizing clip system for B52 series. Polarized feature of connector and header allows for varied applications.
- UL94V-0 rated thermoplastic insulator housing.
- Gold and silver plated terminals available in addition to standard tin plating.
- Terminal marking available.
- Shrouded headers provide increased circuit isolation with 4 sided barrier protection.

# TWO PIECE / PLUGGABLE CONNECTORS



**CONNECTOR INDEX**

3,5mm Connector with Cage Clamp .....	32
3,5mm Header .....	33
5mm Flush Connector with Cage Clamp .....	34
5mm Flush Header .....	35
5mm Locking Connector with Cage Clamp .....	36
5mm Open End Header .....	37
5mm Closed End Header .....	38, 39
5mm Fastening Block, Latch .....	40
5mm Flush Connector and Header Combo .....	41
5mm Flush Connector with Wire Protector .....	42
5mm Flush Header .....	43
5,08mm Flush Connector with Cage Clamp .....	44
5,08mm Flush Header .....	45
5,08mm Locking Connector with Cage Clamp .....	46
5,08mm Header .....	47
3,5mm Polarizing Accessories .....	48

## 3,5MM PLUG-IN CONNECTORS WITH CAGE CLAMP SERIES B52C3

### PHYSICAL PROPERTIES:

#### Housing:

HOUSING MATERIAL: Polybutylene terephthalate (PBTP), GV 20

FLAMMABILITY: UL94V-0

COLOR: Blue or Black

#### Terminal:

CAGE CLAMP: Brass, tin plated

WIRE ENTRY CONTACT AND SPRING: Bronze, tin plated

SCREW: M2 x 4,8mm, steel, zinc plated, yellow chromate treated

#### Mechanical:

PITCH (TERMINAL SPACING): 3,5mm and 7mm

WIRE STRIP LENGTH: 6,5mm - 7mm

RECOMMENDED TIGHTENING TORQUE: 0.34N (3.0 in-lbs)

### ELECTRICAL PROPERTIES:

MAXIMUM CURRENT: 8A

OPERATING VOLTAGE: 300V

WIRE RANGE: 14-22 AWG

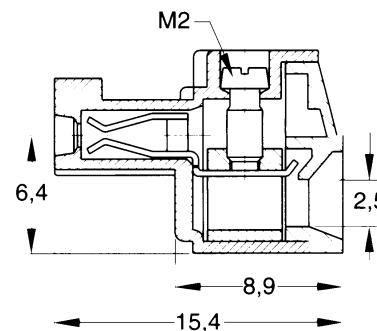
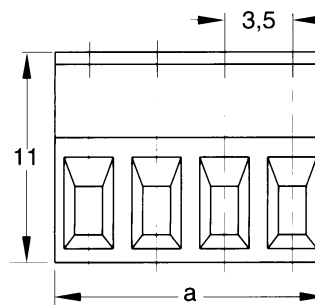
### ENVIRONMENTAL PROPERTIES:

OPERATING TEMPERATURE RANGE: -30°C to +105°C



3,5mm and 7mm Pitch

B52C3U (universal mounting)



### Ordering Information

# OF TERMINALS	3,5MM UNIVERSAL	7MM UNIVERSAL
2	B52C3U02T	B52C7U02T
3	B52C3U03T	B52C7U03T
4	B52C3U04T	B52C7U04T
5	B52C3U05T	B52C7U05T
6	B52C3U06T	B52C7U06T
7	B52C3U07T	—
8	B52C3U08T	—
9	B52C3U09T	—
10	B52C3U10T	—
11	B52C3U11T	—
12	B52C3U12T	—

NOTE: Add "B" suffix for black color. Minimum order 5000 pieces.

## 3,5MM SHROUDED CLOSED-END HEADERS (FOR SERIES B52C3 CONNECTORS) SERIES B73N3

### PHYSICAL PROPERTIES:

#### Housing:

HOUSING MATERIAL: Polybutylene terephthalate (PBTP), GV20

FLAMMABILITY: UL94V-0

COLOR: Blue or Black

#### Terminal:

SOLDER PIN: Brass, tin plated

#### Mechanical:

PITCH (TERMINAL SPACING): 3,5mm and 7mm

RECOMMENDED PCB HOLE DIA.: 1,2mm

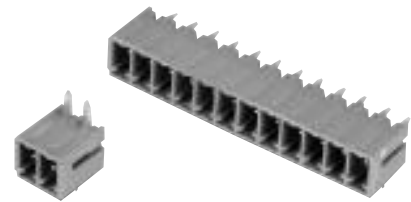
### ELECTRICAL PROPERTIES:

MAXIMUM CURRENT: 8A

OPERATING VOLTAGE: 300V

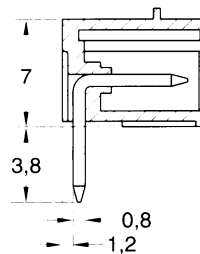
### ENVIRONMENTAL PROPERTIES:

OPERATING TEMPERATURE RANGE: -30°C to +105°C

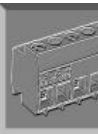
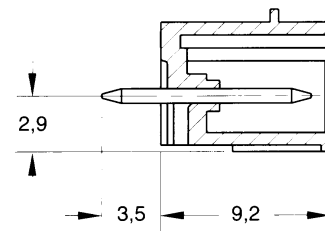


3,5mm and 7mm Pitch

B73N3H (horizontal solder pins)

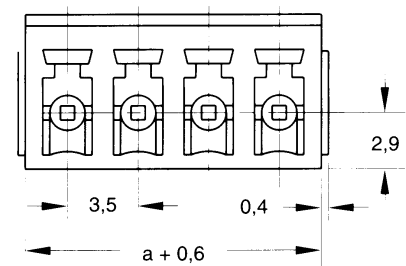


B73N3V (vertical solder pins)



### Ordering Information

# OF TERMINALS	3,5MM VERTICAL	3,5MM HORIZONTAL	7MM VERTICAL	7MM HORIZONTAL
2	B73N3V02T	B73N3H02T	B73N7V02T	B73N7H02T
3	B73N3V03T	B73N3H03T	B73N7V03T	B73N7H03T
4	B73N3V04T	B73N3H04T	B73N7V04T	B73N7H04T
5	B73N3V05T	B73N3H05T	B73N7V05T	B73N7H05T
6	B73N3V06T	B73N3H06T	B73N7V06T	B73N7H06T
7	B73N3V07T	B73N3H07T	B73N7V07T	B73N7H07T
8	B73N3V08T	B73N3H08T	B73N7V08T	B73N7H08T
9	B73N3V09T	B73N3H09T	B73N7V09T	B73N7H09T
10	B73N3V10T	B73N3H10T	B73N7V10T	B73N7H10T
11	B73N3V11T	B73N3H11T	B73N7V11T	B73N7H11T
12	B73N3V12T	B73N3H12T	B73N7V12T	B73N7H12T
13	B73N3V13T	B73N3H13T	—	—
14	B73N3V14T	B73N3H14T	—	—
15	B73N3V15T	B73N3H15T	—	—
16	B73N3V16T	B73N3H16T	—	—
17	B73N3V17T	B73N3H17T	—	—
18	B73N3V18T	B73N3H18T	—	—
19	B73N3V19T	B73N3H19T	—	—
20	B73N3V20T	B73N3H20T	—	—
21	B73N3V21T	B73N3H21T	—	—
22	B73N3V22T	B73N3H22T	—	—
23	B73N3V23T	B73N3H23T	—	—
24	B73N3V24T	B73N3H24T	—	—



**(N= Number of Terminals)**  
**3,5mm Headers:**  
**a = N x 3,5**

NOTE: Add "B" suffix for black color. Minimum order 5000 pieces.