

**P/N:TS7022DM DATA SHEET****Feature**

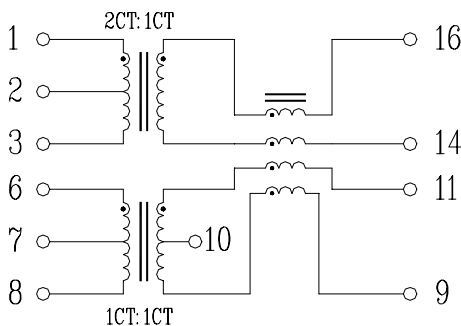
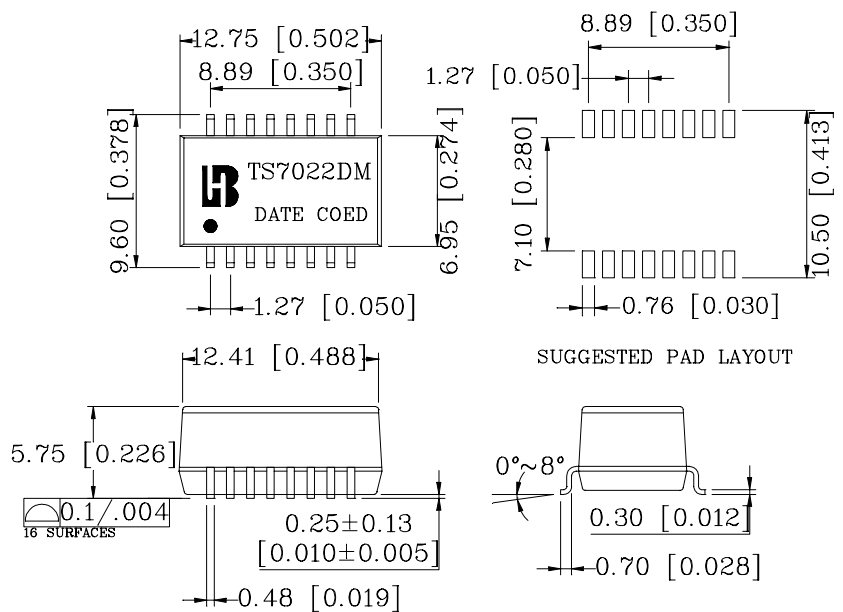
- Designed for use with 10 Base-T PHY transceivers.
- Conforms to IEEE 802.3 standards.
- Single port designs available with and without common mode chokes.
- Through-hole and surface mount packaging.
- Operation temperature range:-40°C to +85°C.
- Storage temperature range: -40°C to +125°C.

Electrical Specifications @ 25°C

Part Number	Turns Ratio(±3%)		OCL (uH Min)	HI-POT (Vrms)
	TX	RX		
TS7022DM	2CT 1	1CT:1CT	80	2000

Continue

Part Number	Insertion Loss (dB Max)	Return Loss (dB Min)	Cross talk (dB Min)	CMR (dB Min)	
	1-10MHz	5-10MHz	1-10MHz	10-30MHz	100MHz
TS7022DM	-1.0	-18	-40	-40	-30

Schematic**Mechanical**

Units: mm[Inches] Tolerance: xx.x0±0.25[0.010]
0.xx±0.05[0.002]