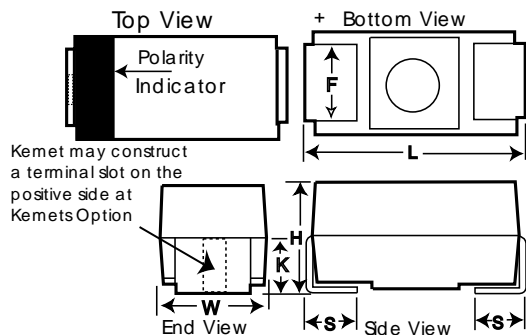


**KEMET Part Number: T495X227K016ZTE100**  
(B45197A3227K509)

Capacitor, Tantalum, SMD, Molded, Low ESR, Surge Robust, 220 uF, 7343, +/-10% Tol, 16V@85C



Dimensions (mm)		
Symbol	Dimension	Tolerance
L	7.3	+/-0.3
W	4.3	+/-0.3
H	4.1	+/-0.3
K	1.8	typ
F	2.4	+/-0.1
S	1.3	+/-0.3

**Notes:**

-In polarity stripe, at KEMET's option, type may be indicated: see catalog for explanation of symbols

-Old part number [Obsolete] was B45197A3227K509

General Information	
Supplier:	KEMET
Part Type Description:	SMD, Molded, Low ESR, Surge Robust
Construction:	Standard Chip-MnO2

Specifications	
Capacitance:	220 uF
Voltage DC @ 85C:	16V
Voltage DC @ 105C:	13.36V
Voltage DC @ 125C:	10.72V
Tolerance:	+/-10%
Application:	General Purpose/Low ESR
Temperature Range:	-55/+125C
Body Type:	Molded Chip
ESR:	100 mOhm
Footprint:	7343
Termination:	Tin
RoHS:	Yes
Leakage Current:	35.2 uA
Dissipation Factor:	10%
Ripple @ 25C:	1.28 A
Ripple @ 85C:	1.152 A
Ripple @ 125C:	0.512 A

Packaging Specifications	
Package Kind:	T&R
Package Size:	7in
Package Quantity:	400