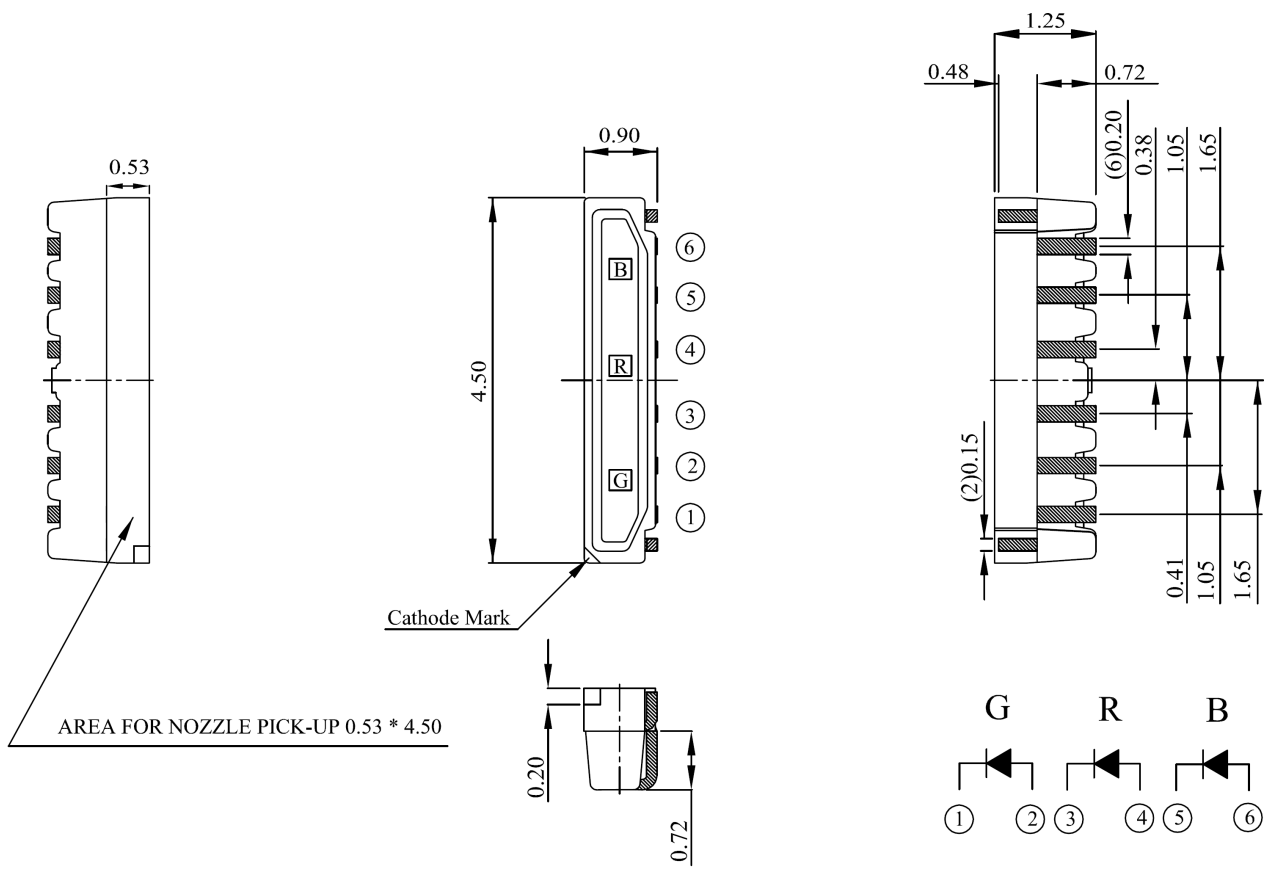


Property of Lite-On Only

Features

- * Meet ROHS, Green Product.
- * Package in 12 mm tape on 7" diameter reels.
- * EIA STD package.
- * I.C. compatible.
- * Compatible with automatic placement equipment.
- * Compatible with infrared reflow solder process.

Package Dimensions



Part No.	Lens Color	Source Color	Pin Assigment
LTST-008GEBW	Diffused Lens	InGaN Green	1,2
		AlInGaP Red	3,4
		InGaN Blue	5,6

Notes:

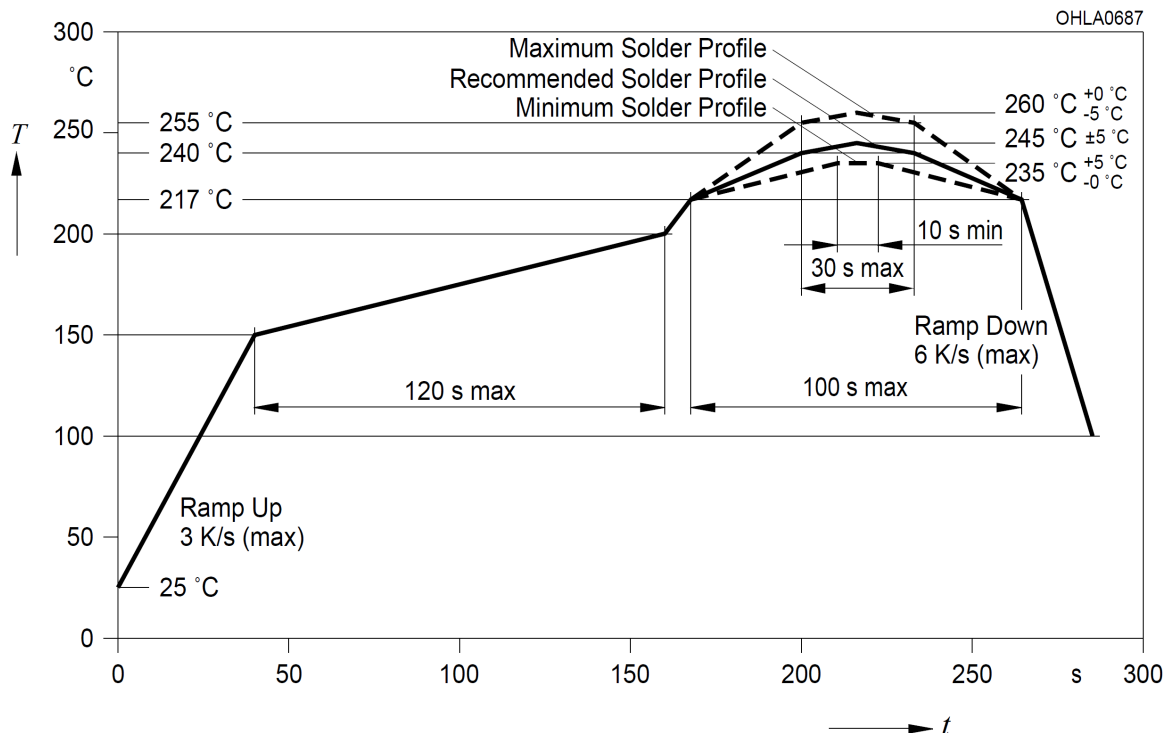
1. All dimensions are in millimeters (inches).
2. Tolerance is ± 0.1 mm (.004") unless otherwise noted.

Absolute Maximum Ratings at Ta=25°C

Parameter	LTST-008GEBW			Unit
	Green	Red	Blue	
Power Dissipation	102	72	102	mW
Peak Forward Current (1/10 Duty Cycle, 0.1ms Pulse Width.)	100	100	100	mA
Continuous Forward Current	30	30	30	mA
Operating Temperature Range	-40°C to + 85°C			
Storage Temperature Range	-40°C to + 100°C			

Suggestion IR Reflow Profile For Pb Free Process :

IR-Reflow Soldering Profile for lead free soldering (Acc. to J-STD-020B)



Property of Lite-On Only

Absolute Maximum Ratings at Ta=25°C

Parameter	Symbol	Values				Unit	Test Condition
			Green	Red	Blue		
Luminous Flux	Φ_v	Min	2.81	1.07	0.32	lm	G: $I_F = 25\text{mA}$ R: $I_F = 20\text{mA}$ B: $I_F = 15\text{mA}$ Note 1
		Typ.	-	-	-		
		Max.	7.12	2.71	0.82		
Viewing Angle	$2\theta_{1/2}$	Typ.	130			Deg.	G: $I_F = 25\text{mA}$ R: $I_F = 20\text{mA}$ B: $I_F = 15\text{mA}$
Dominant Wavelength	λ_d	Min	518	618	455	nm	G: $I_F = 25\text{mA}$ R: $I_F = 20\text{mA}$ B: $I_F = 15\text{mA}$ Note 3
		Typ.	-	-	-		
		Max.	533	628	464		
Spectrum Radiation Bandwidth	$\Delta\lambda$	Typ.	33	20	22	nm	G: $I_F = 25\text{mA}$ R: $I_F = 20\text{mA}$ B: $I_F = 15\text{mA}$
Color Coordinate	λ_d (Min)	Typ. x	0.1317~ 0.2150	0.6879	0.1555		G: $I_F = 25\text{mA}$ R: $I_F = 20\text{mA}$ B: $I_F = 15\text{mA}$
		Typ. y	0.6890	0.3115	0.0283		
	λ_d (Max)	Typ. x	0.0805~ 0.1825	0.7055	0.1443		
		Typ. y	0.7850	0.2940	0.0461		
Forward Voltage	V_F	Min	2.9	1.8	2.6	V	G: $I_F = 25\text{mA}$ R: $I_F = 20\text{mA}$ B: $I_F = 15\text{mA}$ Note 4
		Typ.	-	-	-		
		Max.	3.4	2.4	3.4		
Reverse Current	I_R	Max.	10	10	10	μA	$V_R = 5\text{V}$ Note 5

NOTE: 1. Luminous intensity is measured with a light sensor and filter combination that approximates the CIE eye-response curve.

2. $\theta_{1/2}$ is the off-axis angle at which the luminous intensity is half the axial luminous intensity.

3. The dominant wavelength, λ_d is derived from the CIE chromaticity diagram and represents the single wavelength which defines the color of the device.

4. Forward voltage tolerance is +/-0.1 volt.

5. Reverse voltage (VR) condition is applied to IR test only. The device is not designed for reverse operation

Bin Code List

Luminous Spec. Table		
Ranks	Luminous Flux (lm)	
	I_F : R=20mA, G=25mA, B=15mA	
	Min.	Max.
H2	4.20	5.40
J1	5.40	6.72
J2	6.72	8.40
K1	8.40	10.65

Tolerance on each Luminous Intensity bin is +/- 11%

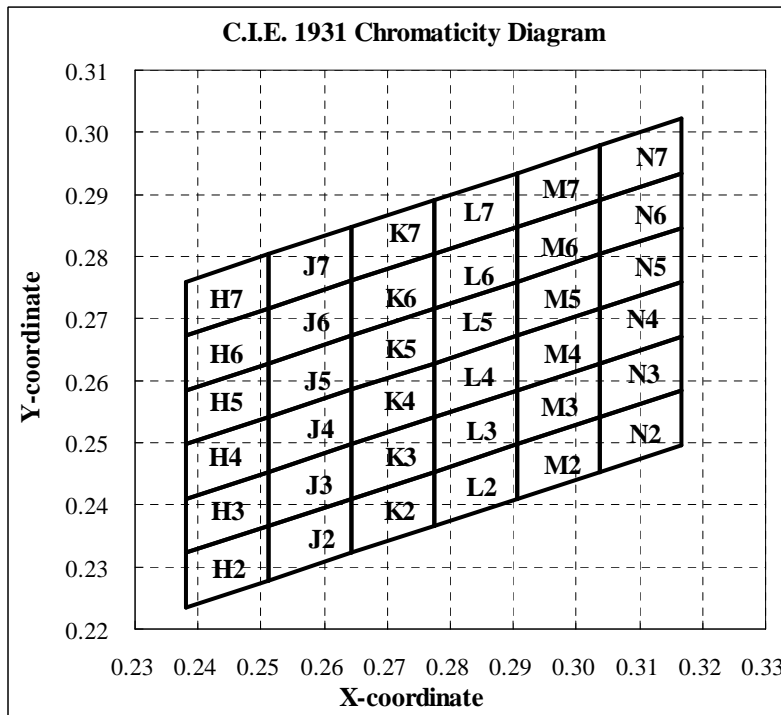
Color Ranks Table											
Ranks	Color bin limits				Ranks	Color bin limits					
	I_F : G=25mA, R=20mA, B=15mA					I_F : G=25mA, R=20mA, B=15mA					
H2	x	0.2381	0.2513	0.2513	0.2381	J2	x	0.2513	0.2644	0.2644	0.2513
	y	0.2234	0.2278	0.2366	0.2322		y	0.2278	0.2322	0.2410	0.2366
H3	x	0.2381	0.2513	0.2513	0.2381	J3	x	0.2513	0.2644	0.2644	0.2513
	y	0.2322	0.2366	0.2453	0.2409		y	0.2366	0.2410	0.2497	0.2453
H4	x	0.2381	0.2513	0.2513	0.2381	J4	x	0.2513	0.2644	0.2644	0.2513
	y	0.2409	0.2453	0.2541	0.2497		y	0.2453	0.2497	0.2585	0.2541
H5	x	0.2381	0.2513	0.2513	0.2381	J5	x	0.2513	0.2644	0.2644	0.2513
	y	0.2497	0.2541	0.2628	0.2584		y	0.2541	0.2585	0.2672	0.2628
H6	x	0.2381	0.2513	0.2513	0.2381	J6	x	0.2513	0.2644	0.2644	0.2513
	y	0.2584	0.2628	0.2716	0.2672		y	0.2628	0.2672	0.2760	0.2716
H7	x	0.2381	0.2513	0.2513	0.2381	J7	x	0.2513	0.2644	0.2644	0.2513
	y	0.2672	0.2716	0.2803	0.2759		y	0.2716	0.2760	0.2847	0.2803
K2	x	0.2644	0.2775	0.2775	0.2644	L2	x	0.2775	0.2906	0.2906	0.2775
	y	0.2322	0.2366	0.2453	0.2410		y	0.2366	0.2409	0.2497	0.2453
K3	x	0.2644	0.2775	0.2775	0.2644	L3	x	0.2775	0.2906	0.2906	0.2775
	y	0.2410	0.2453	0.2541	0.2497		y	0.2453	0.2497	0.2584	0.2541
K4	x	0.2644	0.2775	0.2775	0.2644	L4	x	0.2775	0.2906	0.2906	0.2775
	y	0.2497	0.2541	0.2628	0.2585		y	0.2541	0.2584	0.2672	0.2628
K5	x	0.2644	0.2775	0.2775	0.2644	L5	x	0.2775	0.2906	0.2906	0.2775
	y	0.2585	0.2628	0.2716	0.2672		y	0.2628	0.2672	0.2759	0.2716
K6	x	0.2644	0.2775	0.2775	0.2644	L6	x	0.2775	0.2906	0.2906	0.2775
	y	0.2672	0.2716	0.2803	0.2760		y	0.2716	0.2759	0.2847	0.2803

Property of Lite-On Only

Bin Code List

Color Ranks Table											
Ranks	Color bin limits					Ranks	Color bin limits				
	I _F : G=25mA, R=20mA, B=15mA						I _F : G=25mA, R=20mA, B=15mA				
K7	x	0.2644	0.2775	0.2775	0.2644	L7	x	0.2775	0.2906	0.2906	0.2775
	y	0.2760	0.2803	0.2891	0.2847		y	0.2803	0.2847	0.2934	0.2891
M2	x	0.2906	0.3037	0.3037	0.2906	N2	x	0.3037	0.3168	0.3168	0.3037
	y	0.2409	0.2453	0.2540	0.2497		y	0.2453	0.2496	0.2584	0.2541
M3	x	0.2906	0.3037	0.3037	0.2906	N3	x	0.3168	0.3037	0.3037	0.3168
	y	0.2497	0.2540	0.2628	0.2584		y	0.2584	0.2541	0.2628	0.2671
M4	x	0.2906	0.3037	0.3037	0.2906	N4	x	0.3037	0.3168	0.3168	0.3037
	y	0.2584	0.2628	0.2715	0.2672		y	0.2628	0.2671	0.2759	0.2716
M5	x	0.3037	0.2906	0.2906	0.3037	N5	x	0.3168	0.3037	0.3037	0.3168
	y	0.2715	0.2672	0.2759	0.2803		y	0.2759	0.2716	0.2803	0.2846
M6	x	0.2906	0.3037	0.3037	0.2906	N6	x	0.3037	0.3168	0.3168	0.3037
	y	0.2759	0.2803	0.2890	0.2847		y	0.2803	0.2846	0.2934	0.2891
M7	x	0.3037	0.2906	0.2906	0.3037	N7	x	0.3168	0.3037	0.3037	0.3168
	y	0.2890	0.2847	0.2934	0.2978		y	0.2934	0.2891	0.2978	0.3021

Tolerance on each Hue bin (x, y) bin is +/- 0.01.



Property of Lite-On Only

**Typical Electrical / Optical Characteristics Curves
(25°C Ambient Temperature Unless Otherwise Noted)**

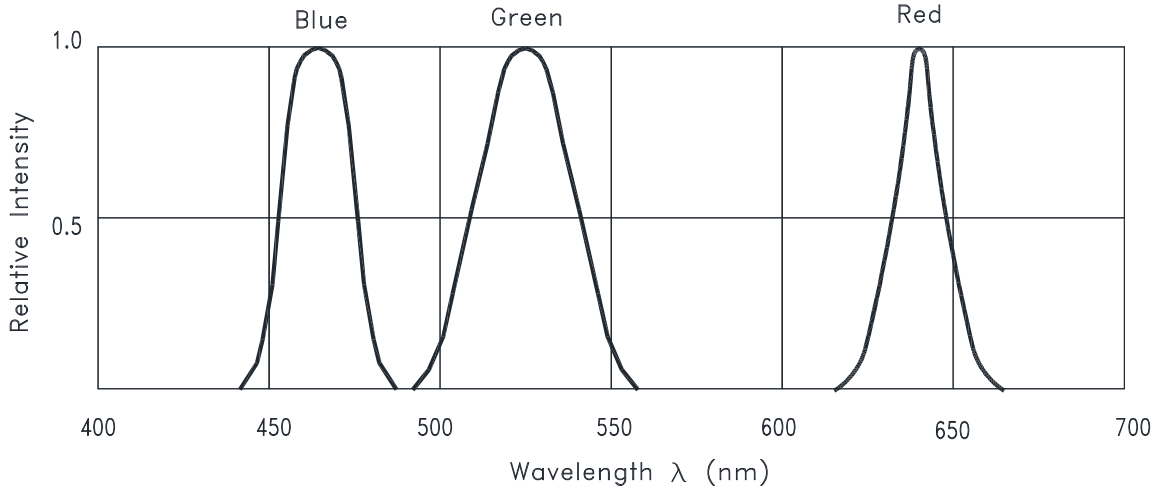


Fig.1 RELATIVE INTENSITY VS. WAVELENGTH

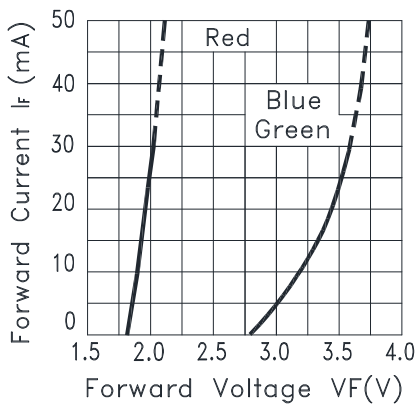


Fig.2 FORWARD CURRENT VS. FORWARD VOLTAGE

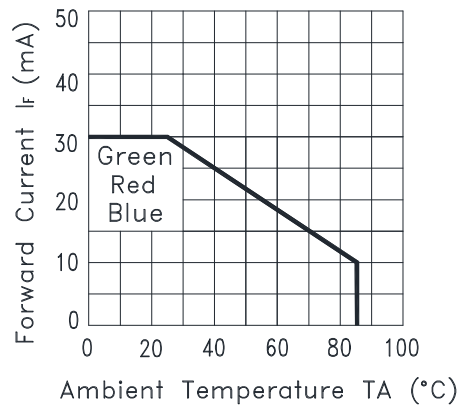


Fig.3 FORWARD CURRENT DERATING CURVE

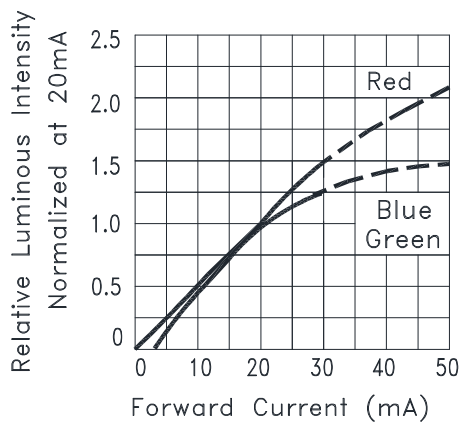


Fig.4 RELATIVE LUMINOUS INTENSITY VS. FORWARD CURRENT

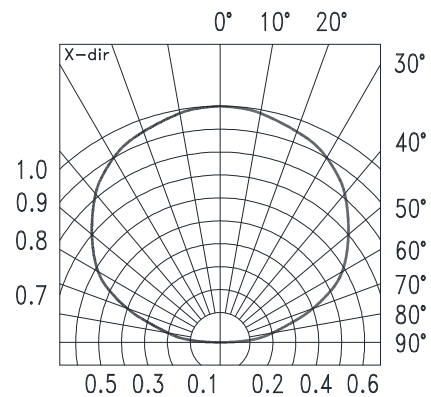
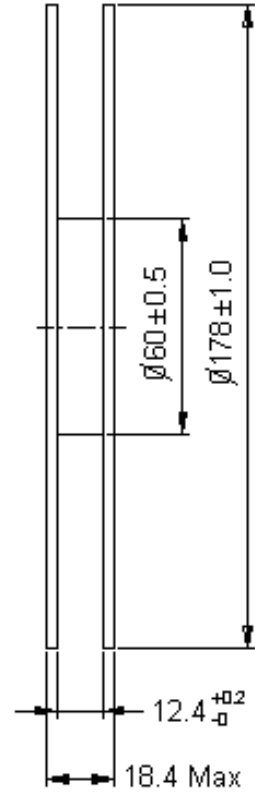
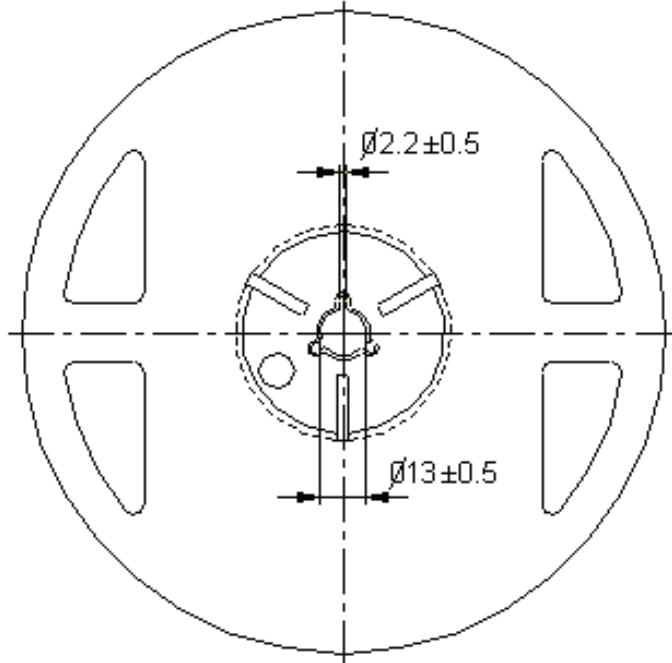


Fig.5 Spatial Distribution

Package Dimensions of Reel



Note: 01. The tolerance unless mentioned is $\pm 0.1 \text{ mm}$
 02. The measured unit is "mm"

Notes:

1. Empty component pockets sealed with top cover tape.
2. 7 inch reel-2000 pieces per reel.
3. Minimum packing quantity is 500 pieces for remainders.
4. The maximum number of consecutive missing lamps is two.
5. In accordance with ANSI/EIA 481 specifications.

CAUTIONS

1. Application

The LEDs described here are intended to be used for ordinary electronic equipment (such as office equipment, communication equipment and household applications). Consult Liteon’s Sales in advance for information on applications in which exceptional reliability is required, particularly when the failure or malfunction of the LEDs may directly jeopardize life or health (such as in aviation, transportation, traffic control equipment, medical and life support systems and safety devices).

2. Storage

The package is sealed:

The LEDs should be stored at 30°C or less and 70%RH or less. And the LEDs are limited to use within one year, while the LEDs is packed in moisture-proof package with the desiccants inside.

The package is opened:

The storage ambient for the LEDs should not exceed 30°C temperature and 60% relative humidity.

It is recommended that LEDs out of their original packaging are IR-reflowed within 168hrs.

For extended storage out of their original packaging, it is recommended that the LEDs be stored in a sealed container with appropriate desiccant, or in a desiccators with nitrogen ambient.

LEDs stored out of their original packaging for more than 168hrs should be baked at about 60 deg C for at least 48 hours before solder assembly.

3. Cleaning

Use alcohol-based cleaning solvents such as isopropyl alcohol to clean the LED if necessary.

4. Soldering

Recommended soldering conditions:

Reflow soldering		Soldering iron	
Pre-heat	150~200°C	Temperature	300°C Max.
Pre-heat time	120 sec. Max.	Soldering time	3 sec. Max.
Peak temperature	260°C Max.		(one time only)
Soldering time	10 sec. Max.(Max. two times)		

Soldering notes:

Because different board designs use different number and types of devices, solder pastes, reflow ovens, and circuit boards, no single temperature profile works for all possible combinations.

However, you can successfully mount your packages to the PCB by following the proper guidelines and PCB-specific characterization.

LITE-ON Runs both component-level verification using in-house **KYRAMX98** reflow chambers and board-level assembly.

The results of this testing are verified through post-reflow reliability testing.

Profiles used at LITE-ON are based on JEDEC standards to ensure that all packages can be successfully and reliably surface mounted.

Figure on page3 shows a sample temperature profile compliant to JEDEC standards.

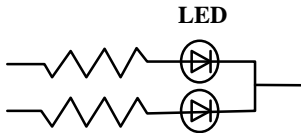
You can use this example as a generic target to set up your reflow process.

You should adhere to the JEDEC profile limits as well as specifications and recommendations from the solder paste manufacturer to avoid damaging the device and create a reliable solder joint.

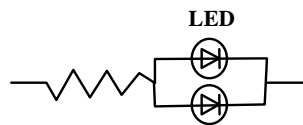
5. Drive Method

An LED is a current-operated device. In order to ensure intensity uniformity on multiple LEDs connected in parallel in an application, it is recommended that a current limiting resistor be incorporated in the drive circuit, in series with each LED as shown in Circuit A below.

Circuit model A



Circuit model B



(A) Recommended circuit.

(B) The brightness of each LED might appear different due to the differences in the I-V characteristics of those LEDs.

6. ESD (Electrostatic Discharge)

Static Electricity or power surge will damage the LED.

Suggestions to prevent ESD damage:

- Use of a conductive wrist band or anti-electrostatic glove when handling these LEDs.
- All devices, equipment, and machinery must be properly grounded.
- Work tables, storage racks, etc. should be properly grounded.
- Use ion blower to neutralize the static charge which might have built up on surface of the LED's plastic lens as a result of friction between LEDs during storage and handling.

ESD-damaged LEDs will exhibit abnormal characteristics such as high reverse leakage current, low forward voltage, or “ no lightup ” at low currents.

To verify for ESD damage, check for “ lightup ” and Vf of the suspect LEDs at low currents.

The Vf of “ good ” LEDs should be >2.0V@0.1mA for InGaN product and >1.4V@0.1mA for AlInGaP product.

Property of Lite-On Only

7. Reliability Test

No.	Test item	Test condition	Reference standard
1	Resistance to soldering heat	Tsld = 260°C , 10sec. 3 times	JEITA ED-4701 300 301
2	Solderability	Tsld=245± 5°C , 3sec, 1 time (Lead free solder, Coverage ≥ 95% of the soldering surface)	JEITA ED-4701 300 303
3	Thermal Shock	100 ± 5°C ~ -30°C ± 5°C 30min 30min 100cycles	JEITA ED-4701 300 307
4	Temperature Cycle	-40°C ~ 25°C ~ 100°C ~ 25°C 30min 5min 30min 5min 100cycles	JEITA ED-4701 100 105
5	High Temperature Storage	100°C 1000hrs	JEITA ED-4701 200 201
6	Low Temperature Storage	-40°C 1000hrs	JEITA ED-4701 200 202
7	Temperature Humidity Storage	60°C/90%RH 1000hrs	JEITA ED-4701 100 103
8	Room temp life test	1. 25°C , IF: Max current ,500hrs 2. 25°C , IF: Typical current,1000hrs	--
9	High temp life test	85°C , IF: For derating curve 1000hrs	--
10	Low temp life test	-30°C , IF: Typical current 1000hrs	JEITA ED-4701 200 202
11	High Temp./Humidity life test (WHTOL)	60°C 90%RH IF: For derating curve 1000hrs	--

8. Others

The appearance and specifications of the product may be modified for improvement without prior notice.

9. Suggested Checking List

Training and Certification

1. Everyone working in a static-safe area is ESD-certified?
2. Training records kept and re-certification dates monitored?

Static-Safe Workstation & Work Areas

1. Static-safe workstation or work-areas have ESD signs?
2. All surfaces and objects at all static-safe workstation and within 1 ft measure less than 100V?
3. All ionizer activated, positioned towards the units?
4. Each work surface mats grounding is good?

Personnel Grounding

1. Every person (including visitors) handling ESD sensitive (ESDS) items wears wrist strap, heel strap or conductive shoes with conductive flooring?
2. If conductive footwear used, conductive flooring also present where operator stand or walk?
3. Garments, hairs or anything closer than 1 ft to ESD items measure less than 100V*?
4. Every wrist strap or heel strap/conductive shoes checked daily and result recorded for all DLs?
5. All wrist strap or heel strap checkers calibration up to date?

Note: *50V for Blue LED.

Device Handling

1. Every ESDS items identified by EIA-471 labels on item or packaging?
2. All ESDS items completely inside properly closed static-shielding containers when not at static-safe workstation?
3. No static charge generators (e.g. plastics) inside shielding containers with ESDS items?
4. All flexible conductive and dissipative package materials inspected before reuse or recycles?

Others

1. Audit result reported to entity ESD control coordinator?
2. Corrective action from previous audits completed?
3. Are audit records complete and on file?