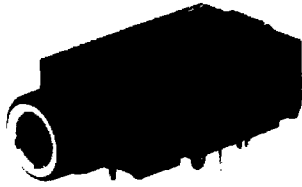
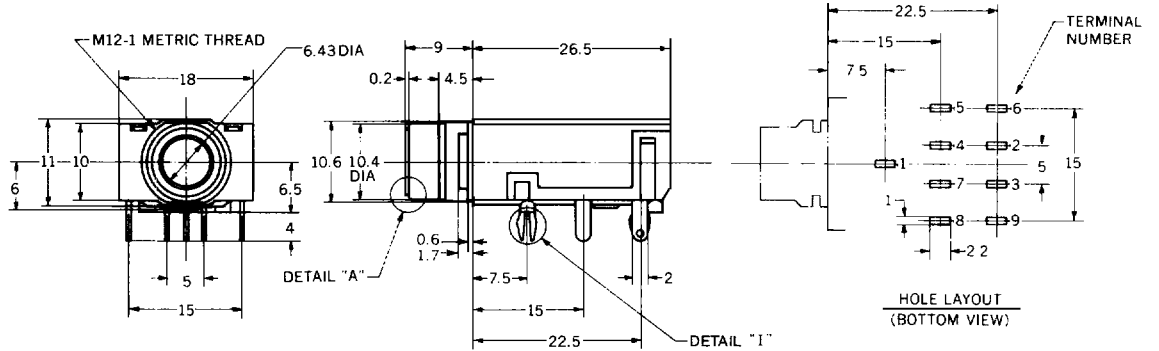
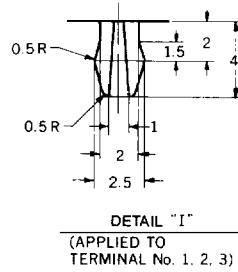
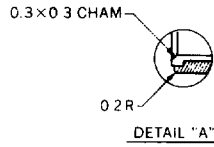


大形ジャック (プリント基板用)
PHONE JACKS (P.C. Board Terminals)

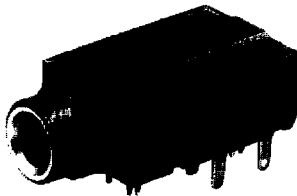
UNIT: mm



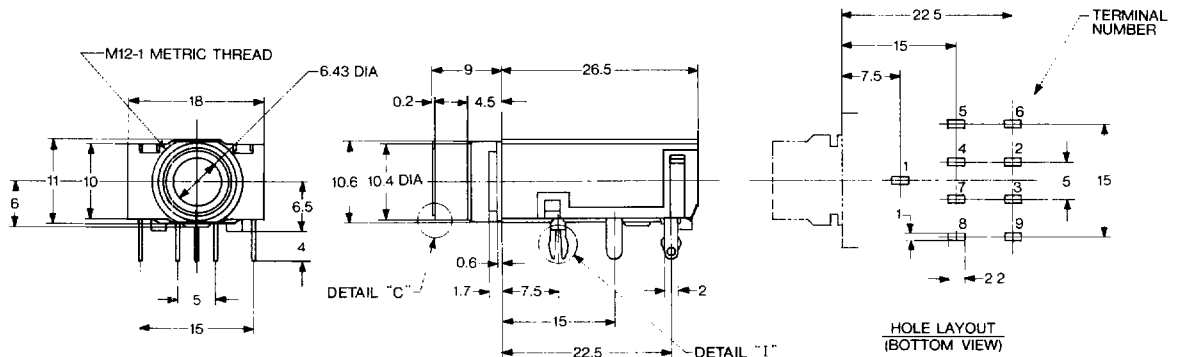
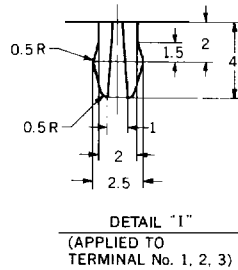
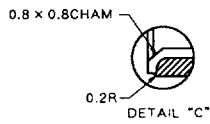
HLJ2305-01-3010



Schematic	Housing color																			
	Black	Gray-White	Black	Gray-White	Black	Gray-White	Black	Gray-White	Black	Gray-White	Black	Gray-White								
Noncombustible grade	HLJ2305-01-3010	HLJ2305-01-3012	HLJ2305-01-3020	HLJ2305-01-3022	HLJ2305-01-3030	HLJ2305-01-3032	HLJ2305-01-3040	HLJ2305-01-3042	HLJ2305-01-3050	HLJ2305-01-3052	HLJ2305-01-3060	HLJ2305-01-3062	HLJ2305-01-3070	HLJ2305-01-3072	HLJ2305-01-3080	HLJ2305-01-3082	HLJ2305-01-3090	HLJ2305-01-3092	HLJ2305-01-3000	HLJ2305-01-3002



HLJ5305-01-4010



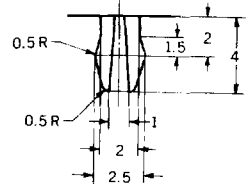
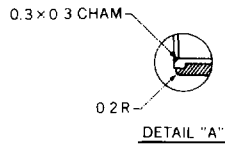
Schematic	Housing color																			
	Black	Gray-White	Black	Gray-White	Black	Gray-White	Black	Gray-White	Black	Gray-White	Black	Gray-White								
Standard grade	HLJ5305-01-4010	HLJ5305-01-4012	HLJ5305-01-4020	HLJ5305-01-4022	HLJ5305-01-4030	HLJ5305-01-4032	HLJ5305-01-4040	HLJ5305-01-4042	HLJ5305-01-4050	HLJ5305-01-4052	HLJ5305-01-4060	HLJ5305-01-4062	HLJ5305-01-4070	HLJ5305-01-4072	HLJ5305-01-4080	HLJ5305-01-4082	HLJ5305-01-4090	HLJ5305-01-4092	HLJ5305-01-4000	HLJ5305-01-4002

大形ジャック (プリント基板用)
PHONE JACKS (P.C. Board Terminals)

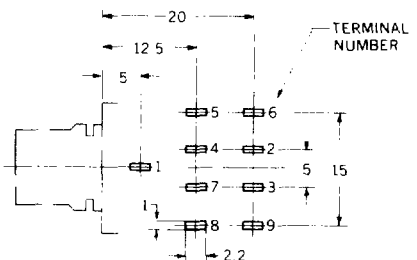
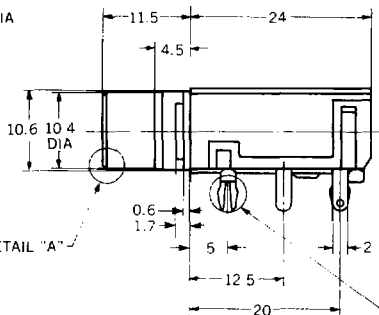
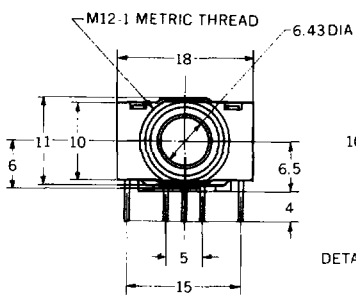
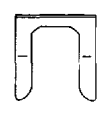
UNIT: mm



HLJ2307-01-3010

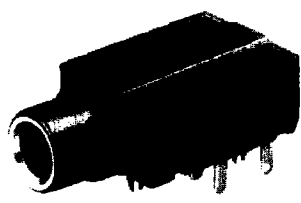


DETAIL "I"
(APPLIED TO
TERMINAL No. 1, 2, 3)

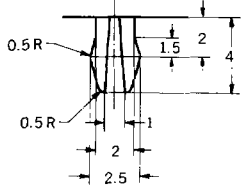
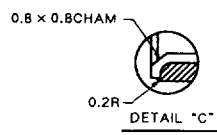


HOLE LAYOUT
(BOTTOM VIEW)

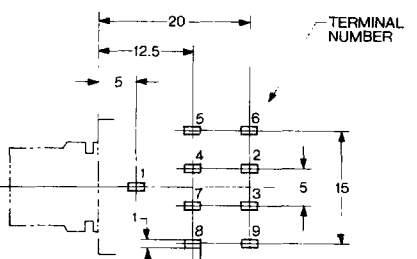
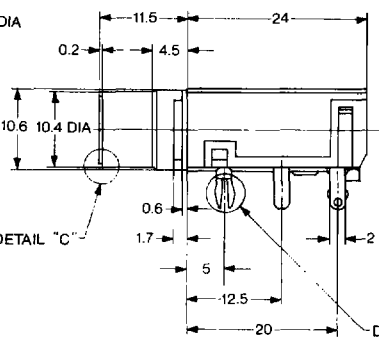
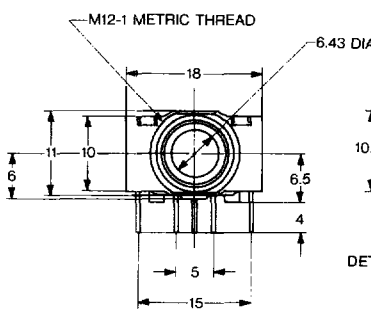
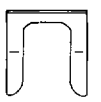
Schematic	Housing material / color																			
	Black	Gray-White	Black	Gray-White	Black	Gray-White	Black	Gray-White	Black	Gray-White										
[Schematic 1]	HLJ2307-01-3010	HLJ2307-01-3012	HLJ2307-01-3020	HLJ2307-01-3022	HLJ2307-01-3030	HLJ2307-01-3032	HLJ2307-01-3040	HLJ2307-01-3042	HLJ2307-01-3050	HLJ2307-01-3052	HLJ2307-01-3060	HLJ2307-01-3062	HLJ2307-01-3070	HLJ2307-01-3072	HLJ2307-01-3080	HLJ2307-01-3082	HLJ2307-01-3090	HLJ2307-01-3092	HLJ2307-01-3000	HLJ2307-01-3002



HLJ5307-01-4010



DETAIL "I"
(APPLIED TO
TERMINAL No. 1, 2, 3)

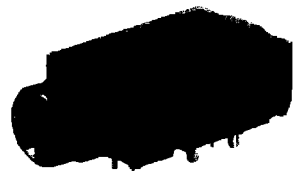


HOLE LAYOUT
(BOTTOM VIEW)

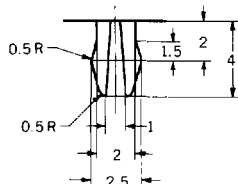
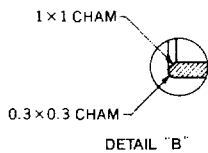
Schematic	Housing material / color																			
	Black	Gray-White	Black	Gray-White	Black	Gray-White	Black	Gray-White	Black	Gray-White										
[Schematic 1]	HLJ5307-01-4010	HLJ5307-01-4012	HLJ5307-01-4020	HLJ5307-01-4022	HLJ5307-01-4030	HLJ5307-01-4032	HLJ5307-01-4040	HLJ5307-01-4042	HLJ5307-01-4050	HLJ5307-01-4052	HLJ5307-01-4060	HLJ5307-01-4062	HLJ5307-01-4070	HLJ5307-01-4072	HLJ5307-01-4080	HLJ5307-01-4082	HLJ5307-01-4090	HLJ5307-01-4092	HLJ5307-01-4000	HLJ5307-01-4002

大形ジャック (プリント基板用)
PHONE JACKS (P.C. Board Terminals)

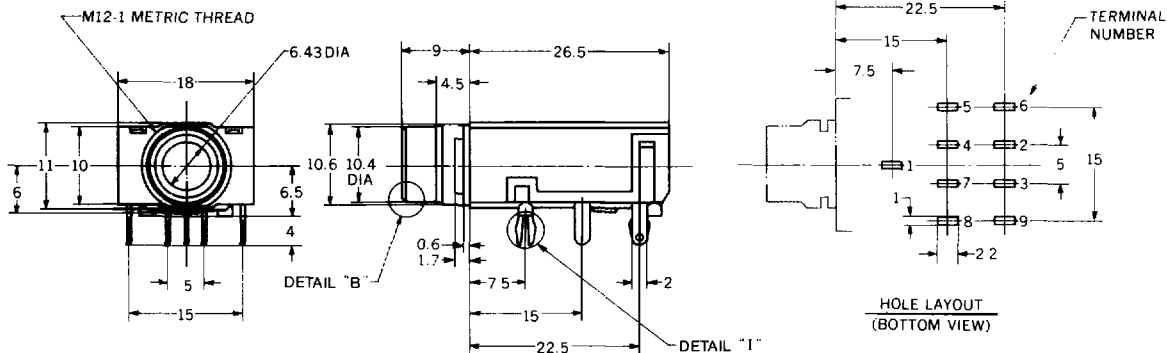
UNIT: mm



HLJ2306-01-3010



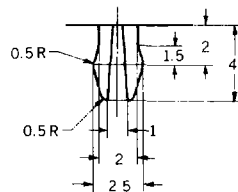
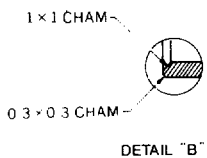
DETAIL "I"
(APPLIED TO
TERMINAL No. 1, 2, 3)



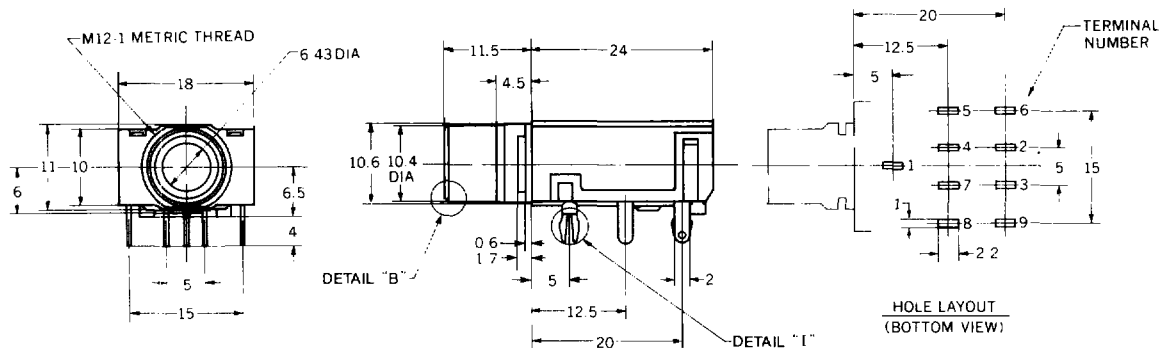
Schematic	Housing material / Housing color																			
	Black	Gray-White	Black	Gray-White	Black	Gray-White	Black	Gray-White	Black	Gray-White										
Noncombustible grade	HLJ2306-01-3010	HLJ2306-01-3012	HLJ2306-01-3020	HLJ2306-01-3022	HLJ2306-01-3030	HLJ2306-01-3032	HLJ2306-01-3040	HLJ2306-01-3042	HLJ2306-01-3050	HLJ2306-01-3052	HLJ2306-01-3060	HLJ2306-01-3062	HLJ2306-01-3070	HLJ2306-01-3072	HLJ2306-01-3080	HLJ2306-01-3082	HLJ2306-01-3090	HLJ2306-01-3092	HLJ2306-01-3000	HLJ2306-01-3002
Standard grade	HLJ4306-01-3010	HLJ4306-01-3012	HLJ4306-01-3020	HLJ4306-01-3022	HLJ4306-01-3030	HLJ4306-01-3032	HLJ4306-01-3040	HLJ4306-01-3042	HLJ4306-01-3050	HLJ4306-01-3052	HLJ4306-01-3060	HLJ4306-01-3062	HLJ4306-01-3070	HLJ4306-01-3072	HLJ4306-01-3080	HLJ4306-01-3082	HLJ4306-01-3090	HLJ4306-01-3092	HLJ4306-01-3000	HLJ4306-01-3002



HLJ2308-01-3010



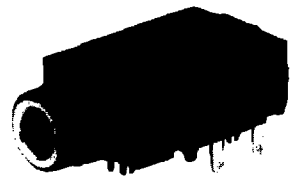
DETAIL "I"
(APPLIED TO
TERMINAL No. 1, 2, 3)



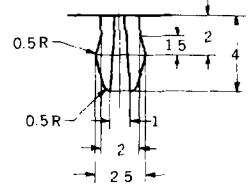
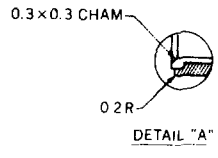
Schematic	Housing material / Housing color																			
	Black	Gray-White	Black	Gray-White	Black	Gray-White	Black	Gray-White	Black	Gray-White										
Noncombustible grade	HLJ2308-01-3010	HLJ2308-01-3012	HLJ2308-01-3020	HLJ2308-01-3022	HLJ2308-01-3030	HLJ2308-01-3032	HLJ2308-01-3040	HLJ2308-01-3042	HLJ2308-01-3050	HLJ2308-01-3052	HLJ2308-01-3060	HLJ2308-01-3062	HLJ2308-01-3070	HLJ2308-01-3072	HLJ2308-01-3080	HLJ2308-01-3082	HLJ2308-01-3090	HLJ2308-01-3092	HLJ2308-01-3000	HLJ2308-01-3002
Standard grade	HLJ4308-01-3010	HLJ4308-01-3012	HLJ4308-01-3020	HLJ4308-01-3022	HLJ4308-01-3030	HLJ4308-01-3032	HLJ4308-01-3040	HLJ4308-01-3042	HLJ4308-01-3050	HLJ4308-01-3052	HLJ4308-01-3060	HLJ4308-01-3062	HLJ4308-01-3070	HLJ4308-01-3072	HLJ4308-01-3080	HLJ4308-01-3082	HLJ4308-01-3090	HLJ4308-01-3092	HLJ4308-01-3000	HLJ4308-01-3002

大形ジャック (プリント基板用) PHONE JACKS (P.C. Board Terminals)

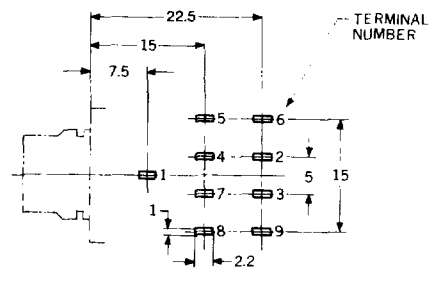
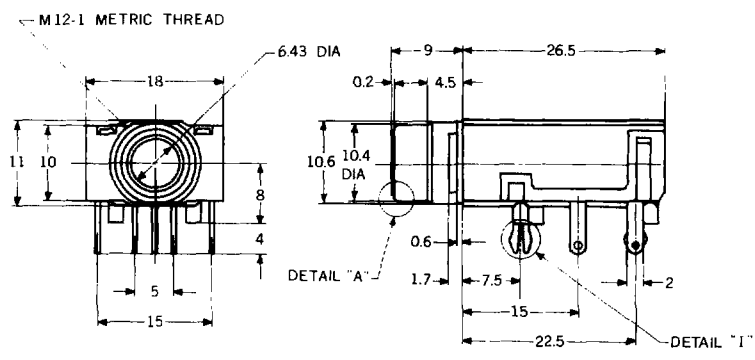
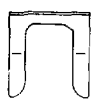
UNIT: mm



HLJ2685-01-3060

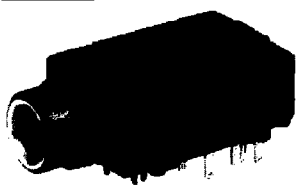


DETAIL "I"
(APPLIED TO
TERMINAL No. 1, 2, 3)

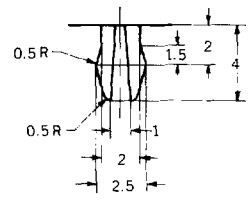
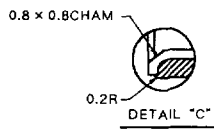


HOLE LAYOUT
(BOTTOM VIEW)

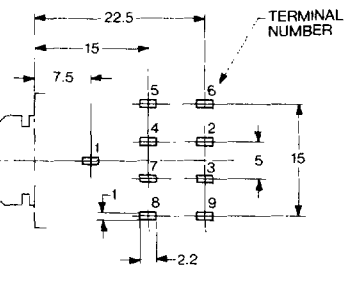
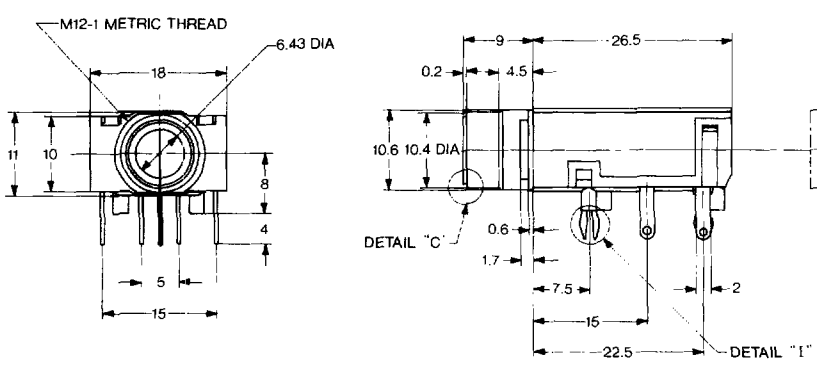
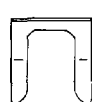
Schematic								
Housing material	Housing color							
Noncombustible grade	Black	HLJ2685-01-3020	HLJ2685-01-3040	HLJ2685-01-3050	HLJ2685-01-3060	HLJ2685-01-3070	HLJ2685-01-3090	HLJ2685-01-3000
	Gray-White	HLJ2685-01-3022	HLJ2685-01-3042	HLJ2685-01-3052	HLJ2685-01-3062	HLJ2685-01-3072	HLJ2685-01-3092	HLJ2685-01-3002



HLJ5685-01-4060



DETAIL "I"
(APPLIED TO
TERMINAL No. 1, 2, 3)



HOLE LAYOUT
(BOTTOM VIEW)

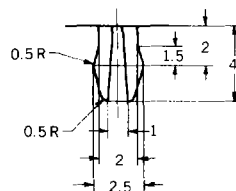
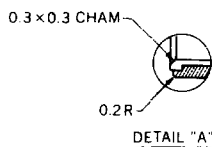
Schematic								
Housing material	Housing color							
Standard grade	Black	HLJ5685-01-4020	HLJ5685-01-4040	HLJ5685-01-4050	HLJ5685-01-4060	HLJ5685-01-4070	HLJ5685-01-4090	HLJ5685-01-4000
	Gray-White	HLJ5685-01-4022	HLJ5685-01-4042	HLJ5685-01-4052	HLJ5685-01-4062	HLJ5685-01-4072	HLJ5685-01-4092	HLJ5685-01-4002

大形ジャック (プリント基板用)
PHONE JACKS (P.C. Board Terminals)

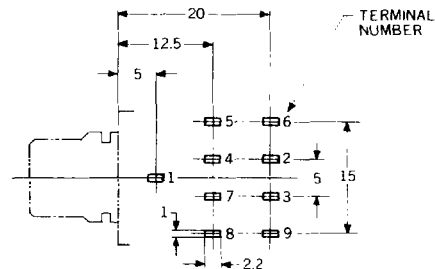
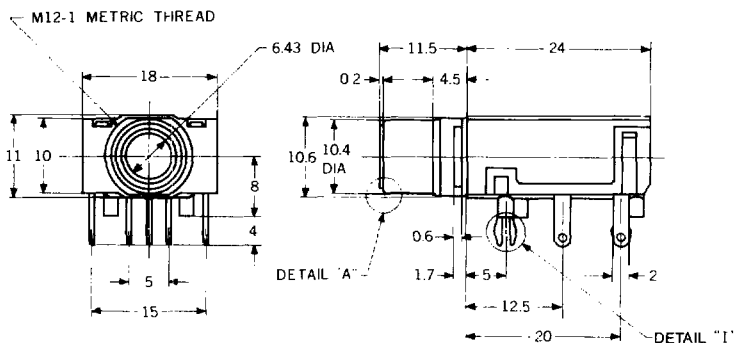
UNIT: mm



HLJ2687-01-3060



DETAIL "I"
 (APPLIED TO
 TERMINAL No. 1, 2, 3)

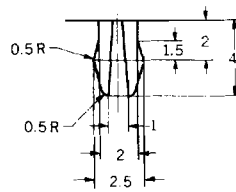
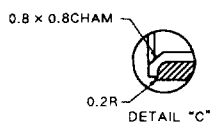


HOLE LAYOUT
 (BOTTOM VIEW)

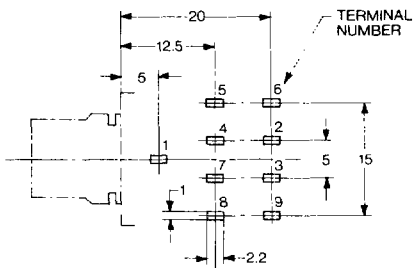
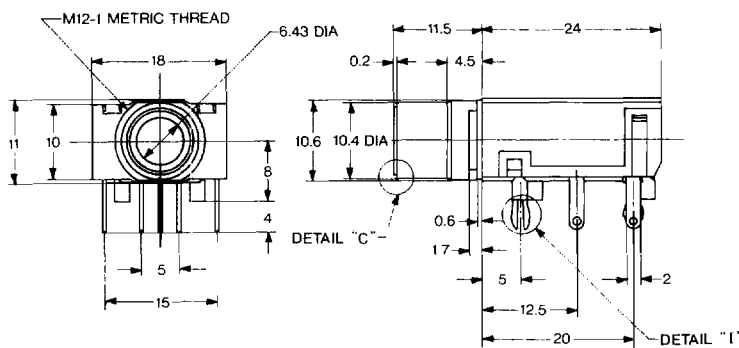
Schematic									
Housing material	Housing color								
Noncombustible grade	Black	HLJ2687-01-3020	HLJ2687-01-3040	HLJ2687-01-3050	HLJ2687-01-3060	HLJ2687-01-3070	HLJ2687-01-3090	HLJ2687-01-3000	
	Gray-White	HLJ2687-01-3022	HLJ2687-01-3042	HLJ2687-01-3052	HLJ2687-01-3062	HLJ2687-01-3072	HLJ2687-01-3092	HLJ2687-01-3002	



HLJ5687-01-4060



DETAIL "I"
 (APPLIED TO
 TERMINAL No. 1, 2, 3)

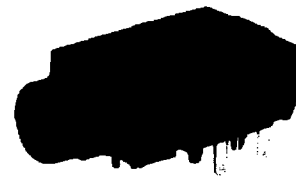


HOLE LAYOUT
 (BOTTOM VIEW)

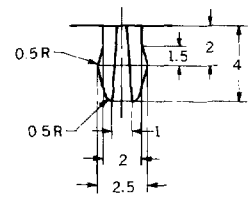
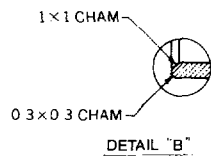
Schematic									
Housing material	Housing color								
Standard grade	Black	HLJ5687-01-4020	HLJ5687-01-4040	HLJ5687-01-4050	HLJ5687-01-4060	HLJ5687-01-4070	HLJ5687-01-4090	HLJ5687-01-4000	
	Gray-White	HLJ5687-01-4022	HLJ5687-01-4042	HLJ5687-01-4052	HLJ5687-01-4062	HLJ5687-01-4072	HLJ5687-01-4092	HLJ5687-01-4002	

大形ジャック (プリント基板用)
PHONE JACKS (P.C. Board Terminals)

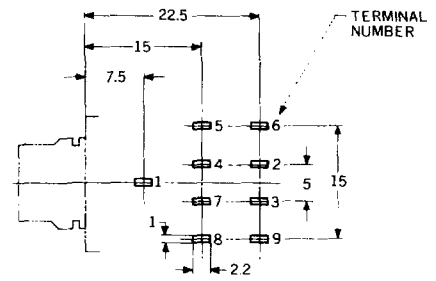
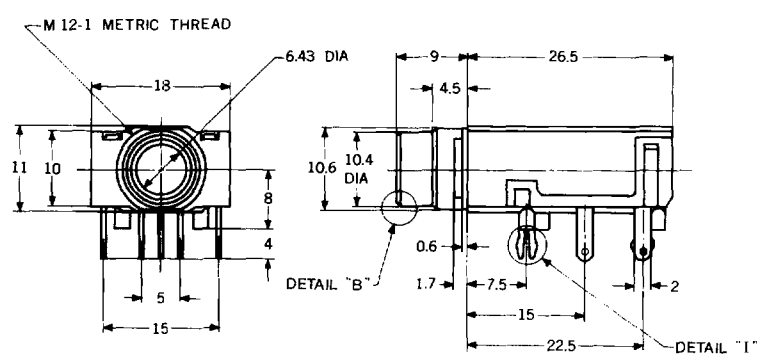
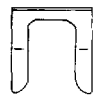
UNIT: mm



HLJ2686-01-3060



DETAIL "I"
(APPLIED TO
TERMINAL No. 1, 2, 3)

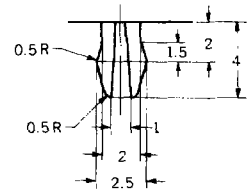
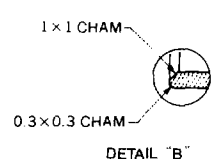


HOLE LAYOUT
(BOTTOM VIEW)

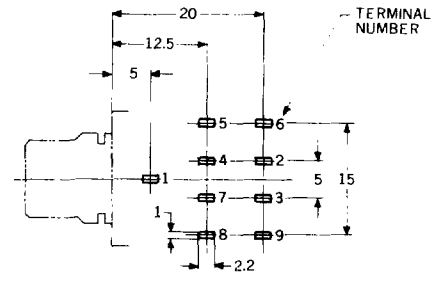
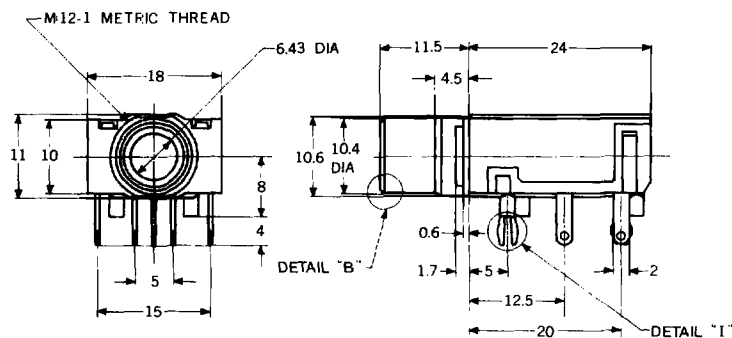
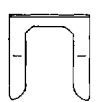
Schematic									
Housing material	Housing color								
Noncombustible grade	Black	HLJ2686-01-3020	HLJ2686-01-3040	HLJ2686-01-3050	HLJ2686-01-3060	HLJ2686-01-3070	HLJ2686-01-3090	HLJ2686-01-3000	
	Gray-White	HLJ2686-01-3022	HLJ2686-01-3042	HLJ2686-01-3052	HLJ2686-01-3062	HLJ2686-01-3072	HLJ2686-01-3092	HLJ2686-01-3002	
Standard grade	Black	HLJ4686-01-3020	HLJ4686-01-3040	HLJ4686-01-3050	HLJ4686-01-3060	HLJ4686-01-3070	HLJ4686-01-3090	HLJ4686-01-3000	
	Gray-White	HLJ4686-01-3022	HLJ4686-01-3042	HLJ4686-01-3052	HLJ4686-01-3062	HLJ4686-01-3072	HLJ4686-01-3092	HLJ4686-01-3002	



HLJ2688-01-3060



DETAIL "I"
(APPLIED TO
TERMINAL No. 1, 2, 3)

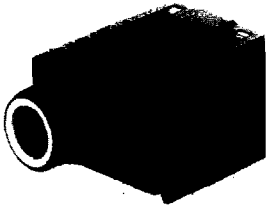


HOLE LAYOUT
(BOTTOM VIEW)

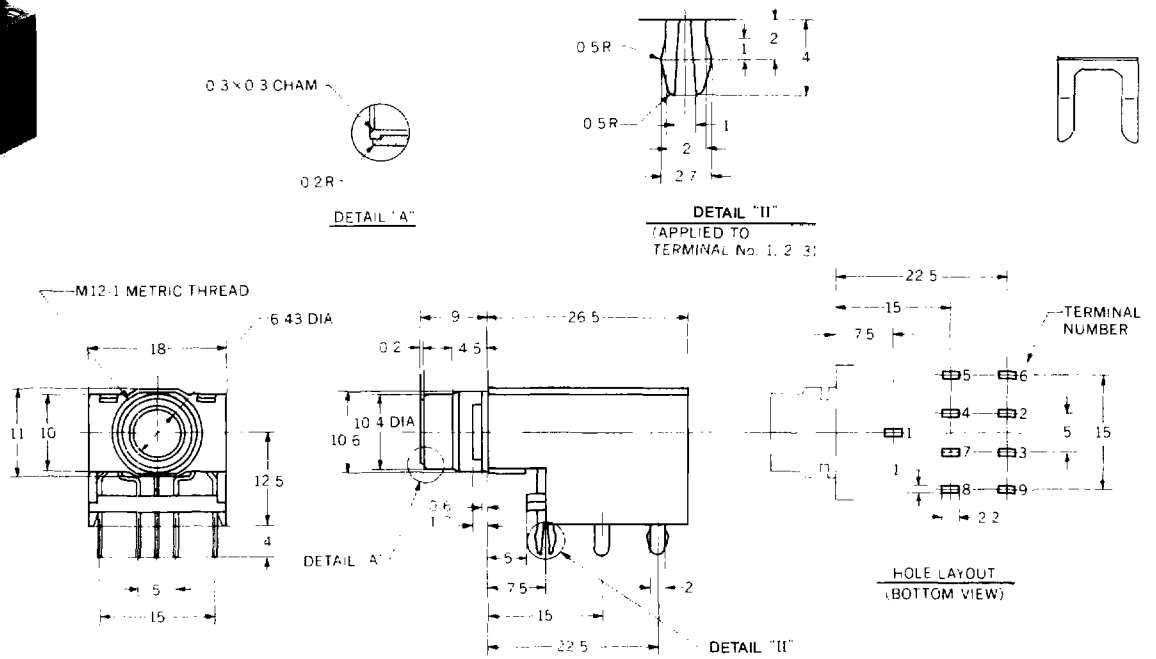
Schematic									
Housing material	Housing color								
Noncombustible grade	Black	HLJ2688-01-3020	HLJ2688-01-3040	HLJ2688-01-3050	HLJ2688-01-3060	HLJ2688-01-3070	HLJ2688-01-3090	HLJ2688-01-3000	
	Gray-White	HLJ2688-01-3022	HLJ2688-01-3042	HLJ2688-01-3052	HLJ2688-01-3062	HLJ2688-01-3072	HLJ2688-01-3092	HLJ2688-01-3002	
Standard grade	Black	HLJ4688-01-3020	HLJ4688-01-3040	HLJ4688-01-3050	HLJ4688-01-3060	HLJ4688-01-3070	HLJ4688-01-3090	HLJ4688-01-3000	
	Gray-White	HLJ4688-01-3022	HLJ4688-01-3042	HLJ4688-01-3052	HLJ4688-01-3062	HLJ4688-01-3072	HLJ4688-01-3092	HLJ4688-01-3002	

大形ジャック (プリント基板用) PHONE JACKS (P.C. Board Terminals)

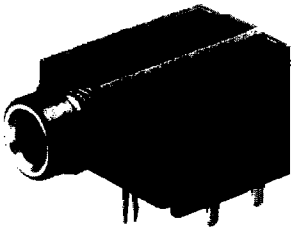
UNIT: mm



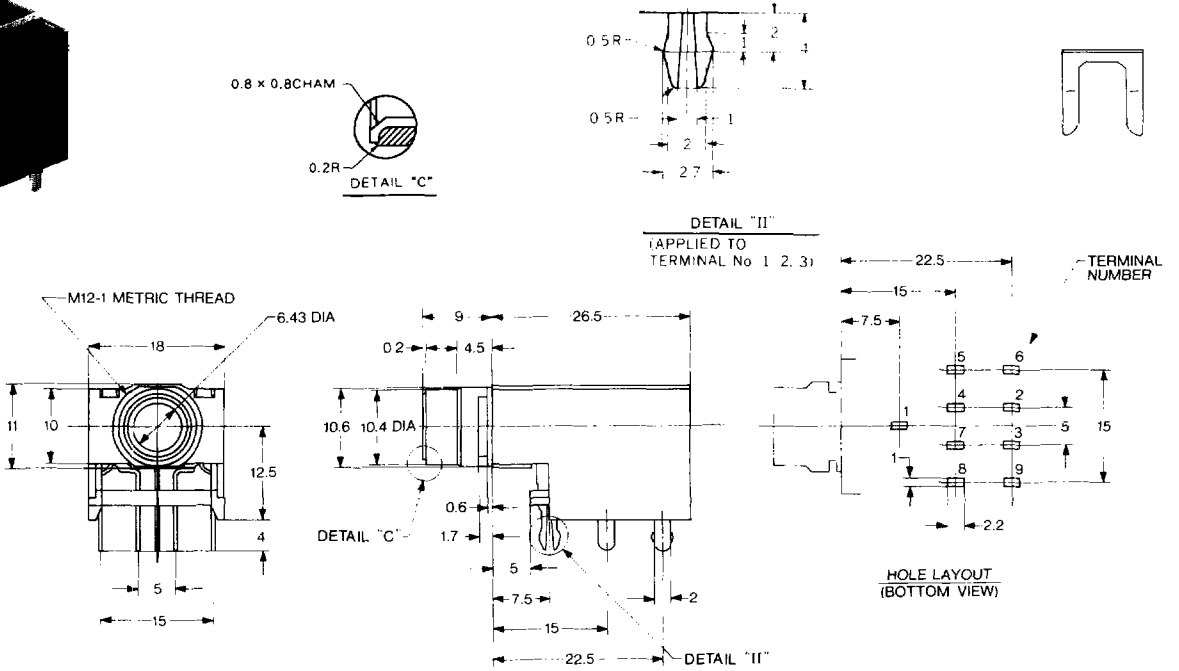
HLJ2315-01-3010



Schematic											
Housing material	Housing color										
Noncombustible grade	Black	HLJ2315-01-3010	HLJ2315-01-3020	HLJ2315-01-3030	HLJ2315-01-3040	HLJ2315-01-3050	HLJ2315-01-3060	HLJ2315-01-3070	HLJ2315-01-3080	HLJ2315-01-3090	HLJ2315-01-3000
	Gray-White	HLJ2315-01-3012	HLJ2315-01-3022	HLJ2315-01-3032	HLJ2315-01-3042	HLJ2315-01-3052	HLJ2315-01-3062	HLJ2315-01-3072	HLJ2315-01-3082	HLJ2315-01-3092	HLJ2315-01-3002



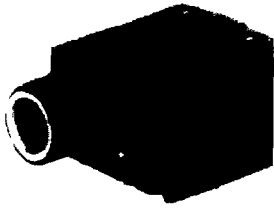
HLJ5315-01-4010



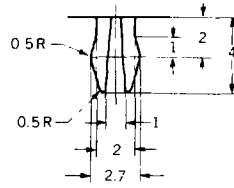
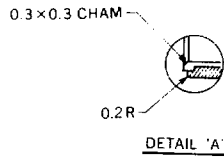
Schematic											
Housing material	Housing color										
Standard grade	Black	HLJ5315-01-4010	HLJ5315-01-4020	HLJ5315-01-4030	HLJ5315-01-4040	HLJ5315-01-4050	HLJ5315-01-4060	HLJ5315-01-4070	HLJ5315-01-4080	HLJ5315-01-4090	HLJ5315-01-4000
	Gray-White	HLJ5315-01-4012	HLJ5315-01-4022	HLJ5315-01-4032	HLJ5315-01-4042	HLJ5315-01-4052	HLJ5315-01-4062	HLJ5315-01-4072	HLJ5315-01-4082	HLJ5315-01-4092	HLJ5315-01-4002

大形ジャック (プリント基板用)
PHONE JACKS (P.C. Board Terminals)

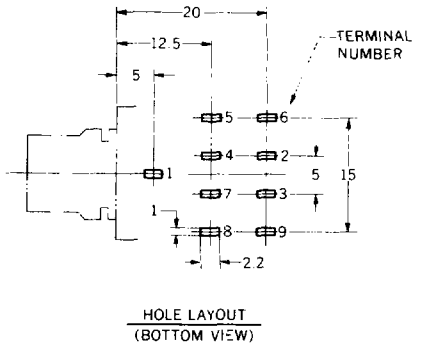
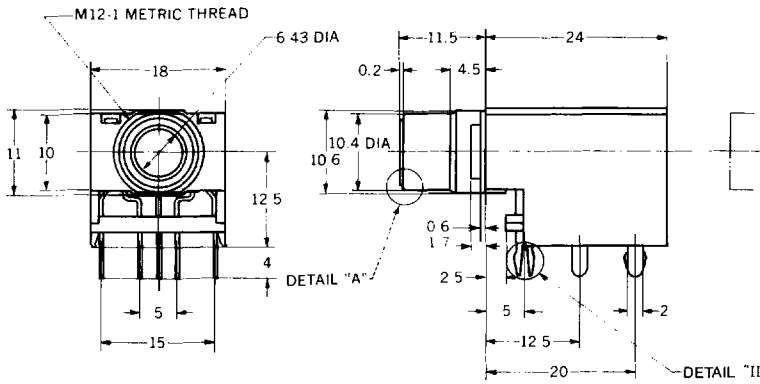
UNIT: mm



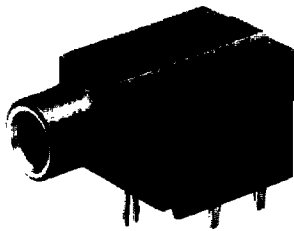
HLJ2317-01-3010



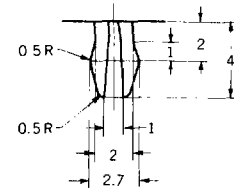
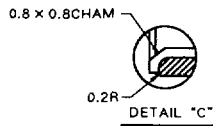
DETAIL "II"
(APPLIED TO
TERMINAL No 1, 2, 3)



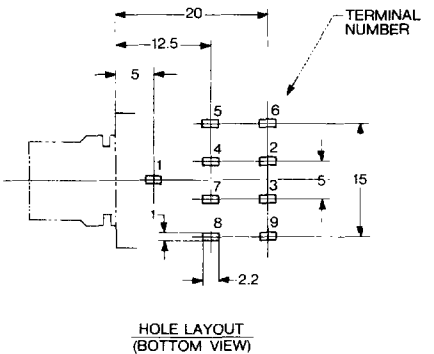
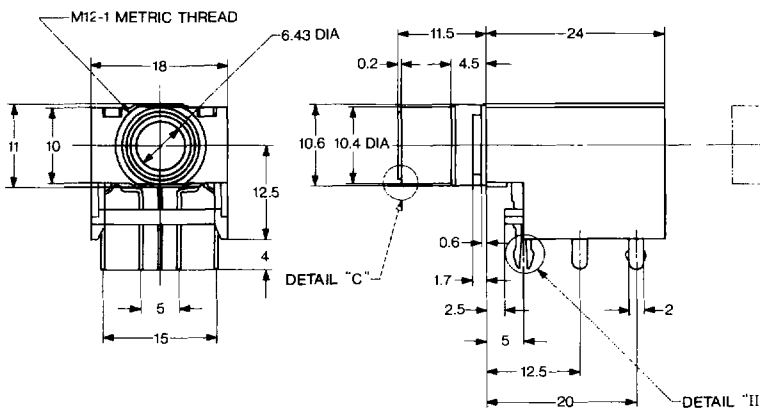
Schematic	Housing color																			
	Black	Gray-White	Black	Gray-White	Black	Gray-White	Black	Gray-White	Black	Gray-White										
Noncombustible grade	HLJ2317-01-3010	HLJ2317-01-3012	HLJ2317-01-3020	HLJ2317-01-3022	HLJ2317-01-3030	HLJ2317-01-3032	HLJ2317-01-3040	HLJ2317-01-3042	HLJ2317-01-3050	HLJ2317-01-3052	HLJ2317-01-3060	HLJ2317-01-3062	HLJ2317-01-3070	HLJ2317-01-3072	HLJ2317-01-3080	HLJ2317-01-3082	HLJ2317-01-3090	HLJ2317-01-3092	HLJ2317-01-3000	HLJ2317-01-3002



HLJ5317-01-4010



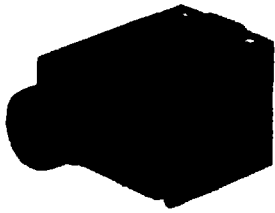
DETAIL "II"
(APPLIED TO
TERMINAL No 1, 2, 3)



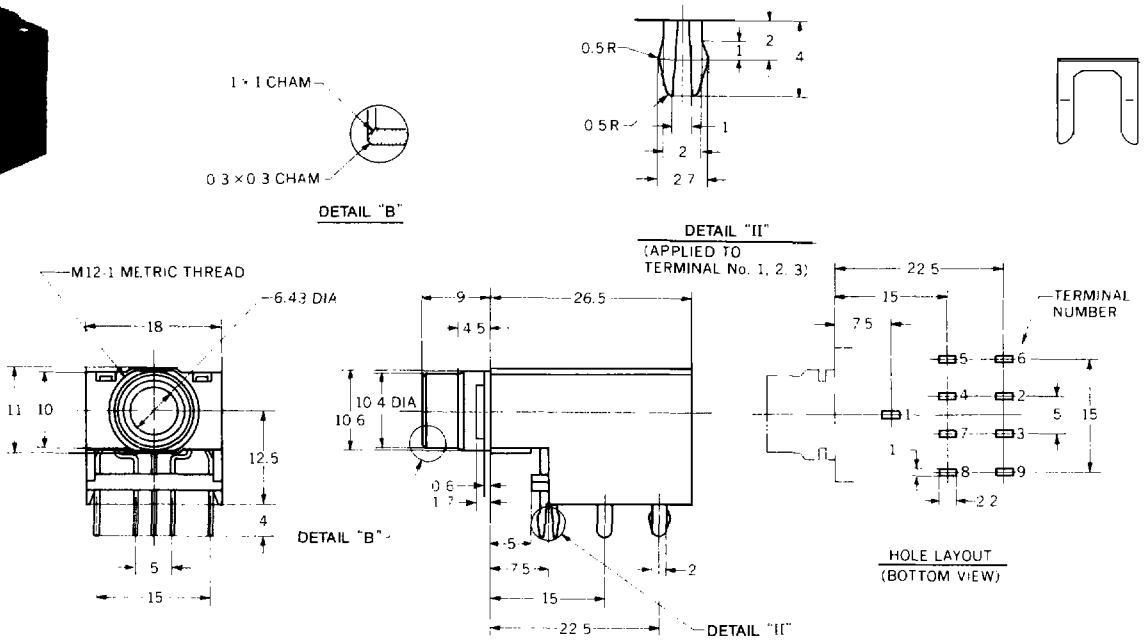
Schematic	Housing color																			
	Black	Gray-White	Black	Gray-White	Black	Gray-White	Black	Gray-White	Black	Gray-White										
Standard grade	HLJ5317-01-4010	HLJ5317-01-4012	HLJ5317-01-4020	HLJ5317-01-4022	HLJ5317-01-4030	HLJ5317-01-4032	HLJ5317-01-4040	HLJ5317-01-4042	HLJ5317-01-4050	HLJ5317-01-4052	HLJ5317-01-4060	HLJ5317-01-4062	HLJ5317-01-4070	HLJ5317-01-4072	HLJ5317-01-4080	HLJ5317-01-4082	HLJ5317-01-4090	HLJ5317-01-4092	HLJ5317-01-4000	HLJ5317-01-4002

大形ジャック (プリント基板用)
PHONE JACKS (P.C. Board Terminals)

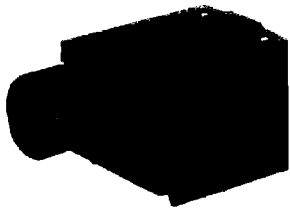
UNIT: mm



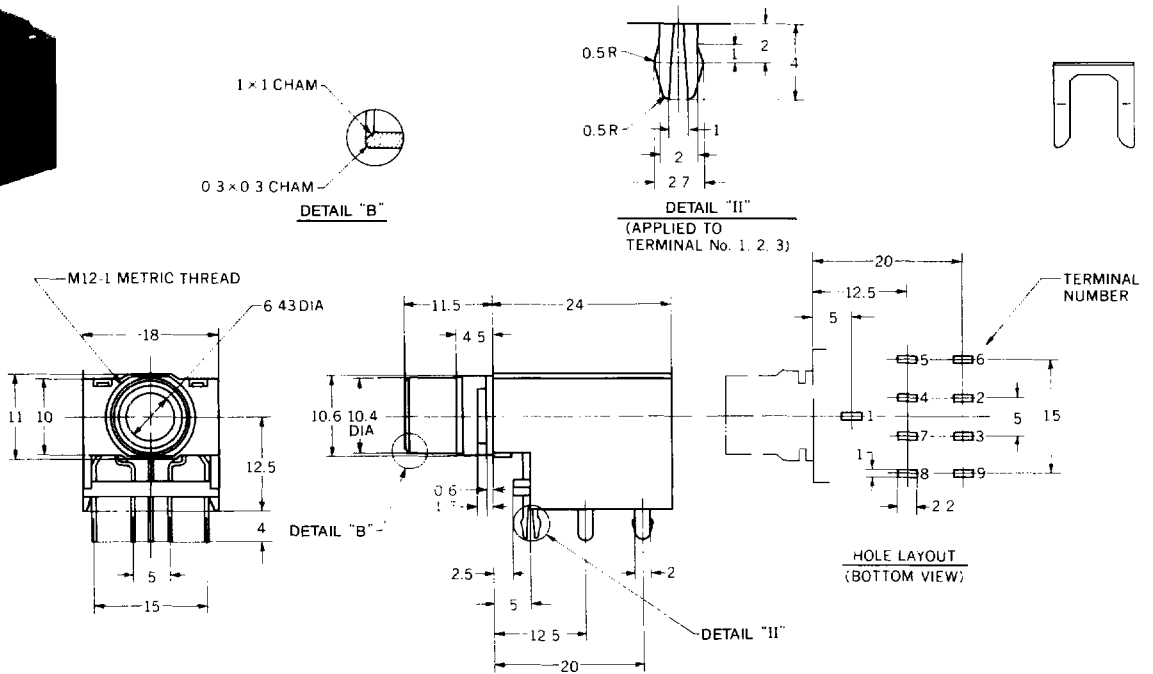
HLJ2316-01-3010



Housing material	Housing color	Schematic									
Noncombustible grade	Black	HLJ2316-01-3010	HLJ2316-01-3020	HLJ2316-01-3030	HLJ2316-01-3040	HLJ2316-01-3050	HLJ2316-01-3060	HLJ2316-01-3070	HLJ2316-01-3080	HLJ2316-01-3090	HLJ2316-01-3000
	Gray-White	HLJ2316-01-3012	HLJ2316-01-3022	HLJ2316-01-3032	HLJ2316-01-3042	HLJ2316-01-3052	HLJ2316-01-3062	HLJ2316-01-3072	HLJ2316-01-3082	HLJ2316-01-3092	HLJ2316-01-3002
Standard grade	Black	HLJ4316-01-3010	HLJ4316-01-3020	HLJ4316-01-3030	HLJ4316-01-3040	HLJ4316-01-3050	HLJ4316-01-3060	HLJ4316-01-3070	HLJ4316-01-3080	HLJ4316-01-3090	HLJ4316-01-3000
	Gray-White	HLJ4316-01-3012	HLJ4316-01-3022	HLJ4316-01-3032	HLJ4316-01-3042	HLJ4316-01-3052	HLJ4316-01-3062	HLJ4316-01-3072	HLJ4316-01-3082	HLJ4316-01-3092	HLJ4316-01-3002



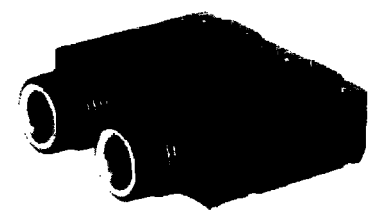
HLJ2318-01-3010



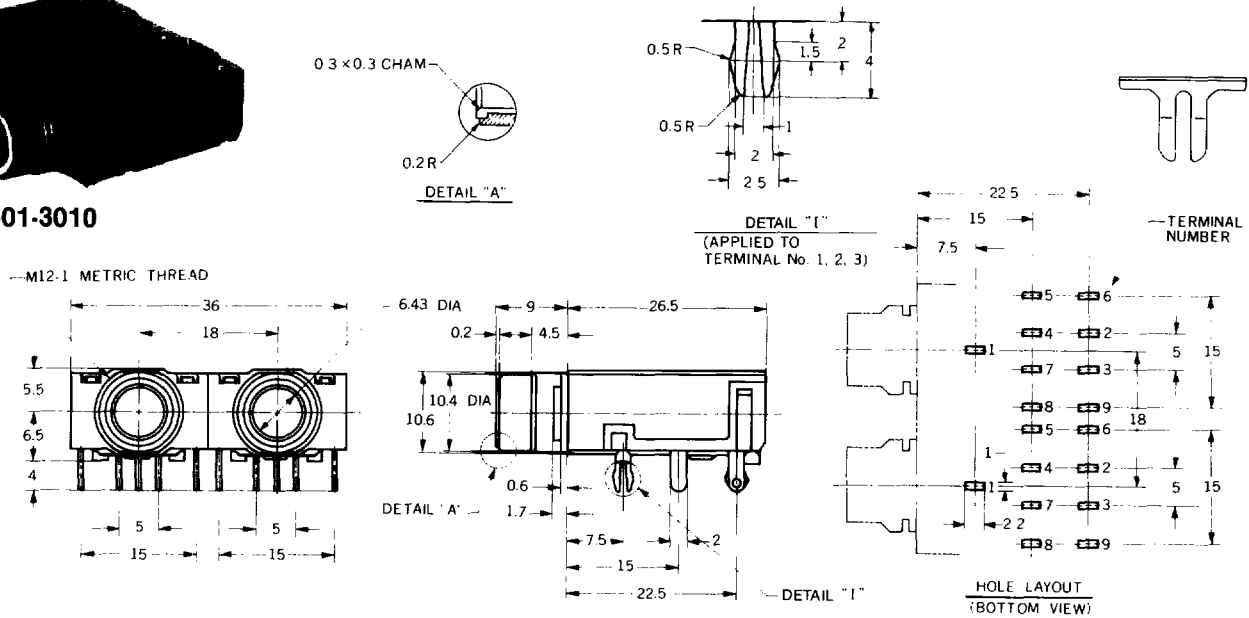
Housing material	Housing color	Schematic									
Noncombustible grade	Black	HLJ2318-01-3010	HLJ2318-01-3020	HLJ2318-01-3030	HLJ2318-01-3040	HLJ2318-01-3050	HLJ2318-01-3060	HLJ2318-01-3070	HLJ2318-01-3080	HLJ2318-01-3090	HLJ2318-01-3000
	Gray-White	HLJ2318-01-3012	HLJ2318-01-3022	HLJ2318-01-3032	HLJ2318-01-3042	HLJ2318-01-3052	HLJ2318-01-3062	HLJ2318-01-3072	HLJ2318-01-3082	HLJ2318-01-3092	HLJ2318-01-3002
Standard grade	Black	HLJ4318-01-3010	HLJ4318-01-3020	HLJ4318-01-3030	HLJ4318-01-3040	HLJ4318-01-3050	HLJ4318-01-3060	HLJ4318-01-3070	HLJ4318-01-3080	HLJ4318-01-3090	HLJ4318-01-3000
	Gray-White	HLJ4318-01-3012	HLJ4318-01-3022	HLJ4318-01-3032	HLJ4318-01-3042	HLJ4318-01-3052	HLJ4318-01-3062	HLJ4318-01-3072	HLJ4318-01-3082	HLJ4318-01-3092	HLJ4318-01-3002

大形ジャック (プリント基板用) PHONE JACKS (P.C. Board Terminals)

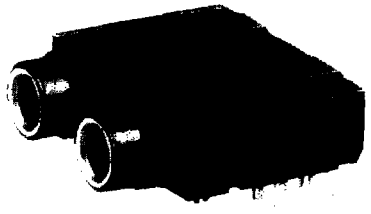
UNIT: mm



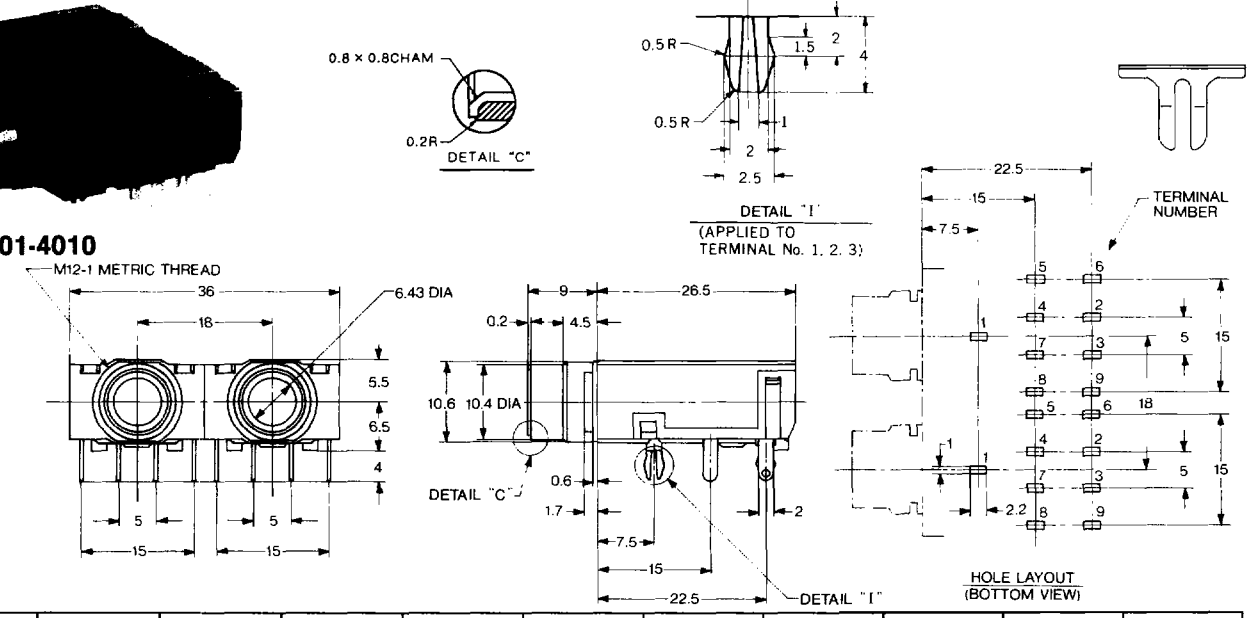
HLJ2335-01-3010



Schematic											
Housing material	Black	HLJ2335-01-3010	HLJ2335-01-3020	HLJ2335-01-3030	HLJ2335-01-3040	HLJ2335-01-3050	HLJ2335-01-3060	HLJ2335-01-3070	HLJ2335-01-3080	HLJ2335-01-3090	HLJ2335-01-3000
	Gray-White	HLJ2335-01-3012	HLJ2335-01-3022	HLJ2335-01-3032	HLJ2335-01-3042	HLJ2335-01-3052	HLJ2335-01-3062	HLJ2335-01-3072	HLJ2335-01-3082	HLJ2335-01-3092	HLJ2335-01-3002



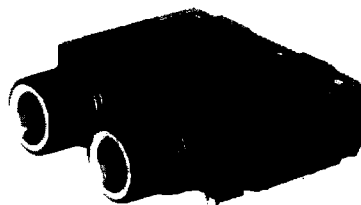
HLJ5335-01-4010



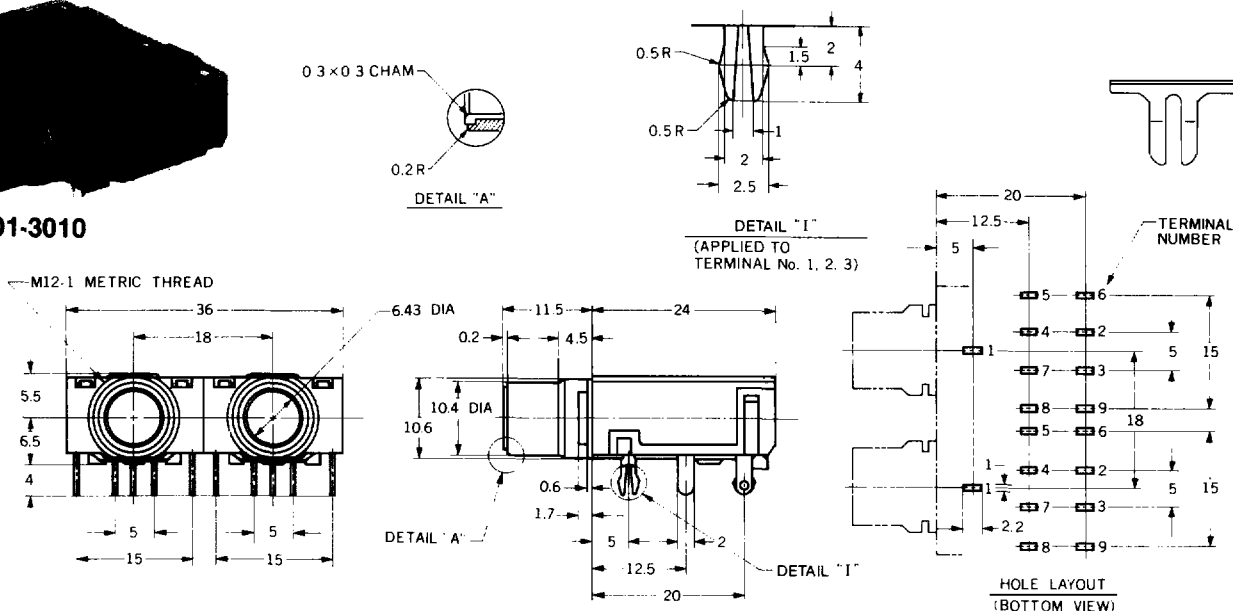
Schematic											
Standard grade	Black	HLJ5335-01-4010	HLJ5335-01-4020	HLJ5335-01-4030	HLJ5335-01-4040	HLJ5335-01-4050	HLJ5335-01-4060	HLJ5335-01-4070	HLJ5335-01-4080	HLJ5335-01-4090	HLJ5335-01-4000
	Gray-White	HLJ5335-01-4012	HLJ5335-01-4022	HLJ5335-01-4032	HLJ5335-01-4042	HLJ5335-01-4052	HLJ5335-01-4062	HLJ5335-01-4072	HLJ5335-01-4082	HLJ5335-01-4092	HLJ5335-01-4002

大形ジャック (プリント基板用)
PHONE JACKS (P.C. Board Terminals)

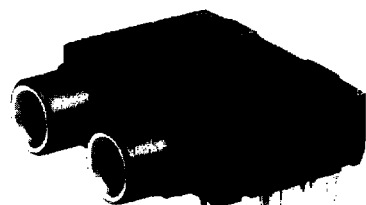
UNIT: mm



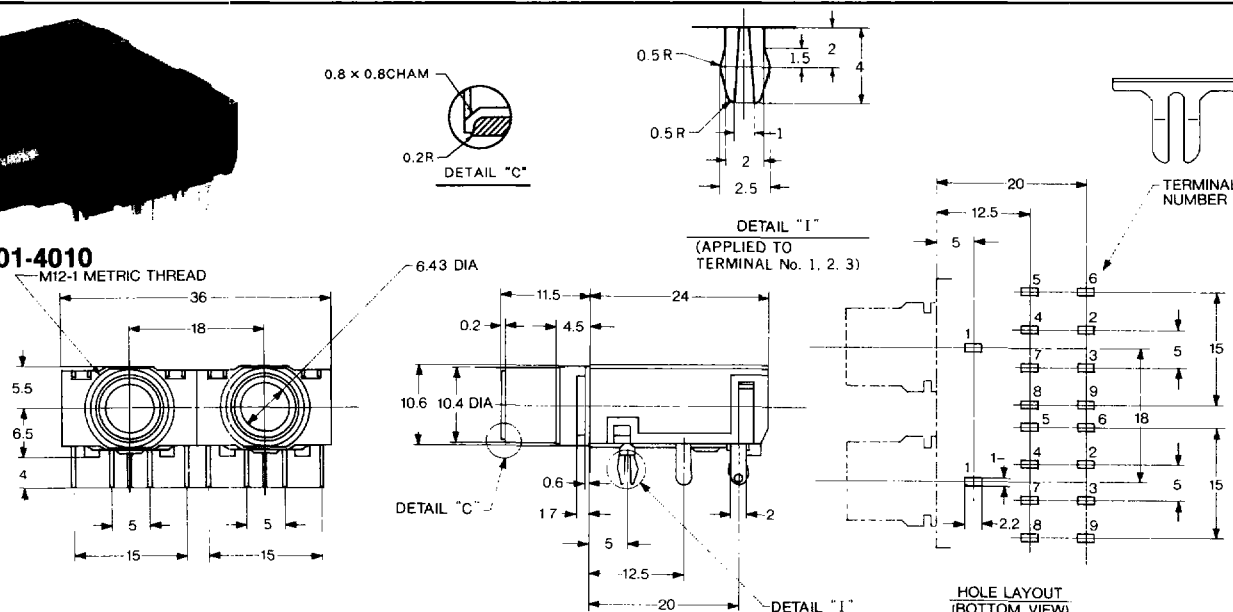
HLJ2337-01-3010



Schematic											
Housing material	Black	HLJ2337-01-3010	HLJ2337-01-3020	HLJ2337-01-3030	HLJ2337-01-3040	HLJ2337-01-3050	HLJ2337-01-3060	HLJ2337-01-3070	HLJ2337-01-3080	HLJ2337-01-3090	HLJ2337-01-3000
	Gray-White	HLJ2337-01-3012	HLJ2337-01-3022	HLJ2337-01-3032	HLJ2337-01-3042	HLJ2337-01-3052	HLJ2337-01-3062	HLJ2337-01-3072	HLJ2337-01-3082	HLJ2337-01-3092	HLJ2337-01-3002



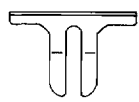
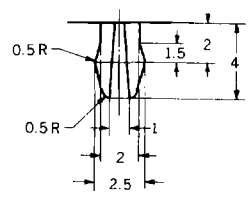
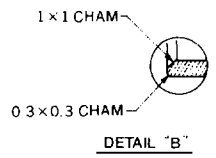
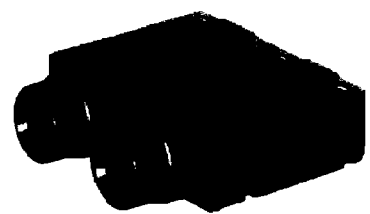
HLJ5337-01-4010



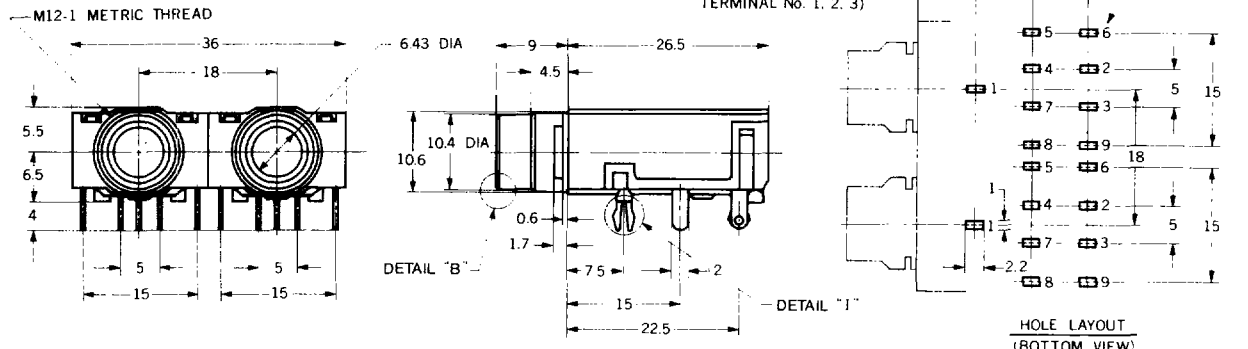
Schematic											
Standard grade	Black	HLJ5337-01-4010	HLJ5337-01-4020	HLJ5337-01-4030	HLJ5337-01-4040	HLJ5337-01-4050	HLJ5337-01-4060	HLJ5337-01-4070	HLJ5337-01-4080	HLJ5337-01-4090	HLJ5337-01-4000
	Gray-White	HLJ5337-01-4012	HLJ5337-01-4022	HLJ5337-01-4032	HLJ5337-01-4042	HLJ5337-01-4052	HLJ5337-01-4062	HLJ5337-01-4072	HLJ5337-01-4082	HLJ5337-01-4092	HLJ5337-01-4002

大形ジャック (プリント基板用)
PHONE JACKS (P.C. Board Terminals)

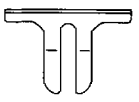
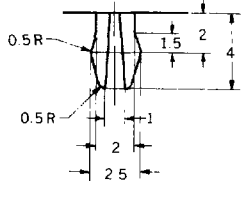
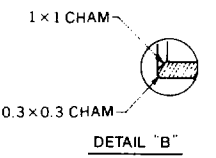
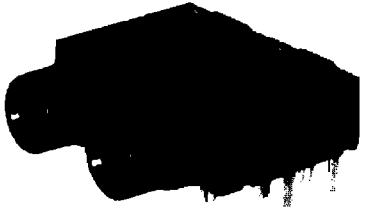
UNIT: mm



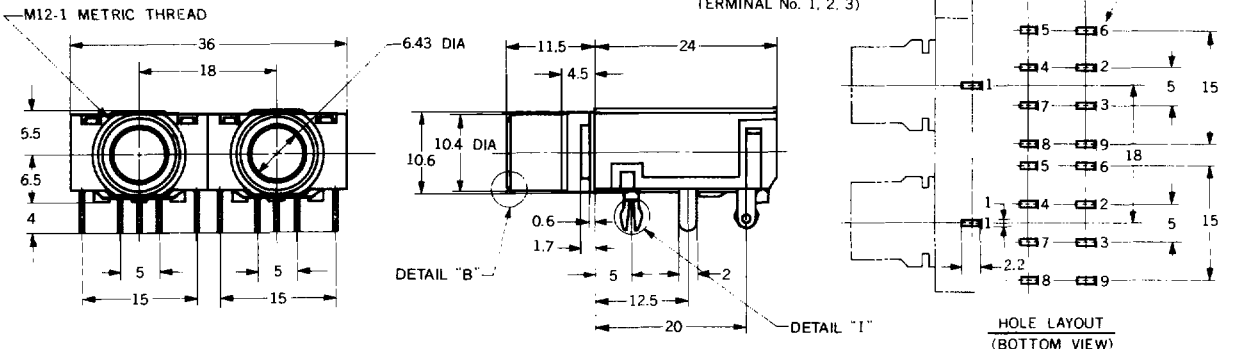
HLJ4336-01-3010



Schematic										
Housing material	Black	Black	Black	Black	Black	Black	Black	Black	Black	Black
	Gray-White	Gray-White	Gray-White	Gray-White	Gray-White	Gray-White	Gray-White	Gray-White	Gray-White	Gray-White
Standard grade	HLJ4336-01-3010	HLJ4336-01-3020	HLJ4336-01-3030	HLJ4336-01-3040	HLJ4336-01-3050	HLJ4336-01-3060	HLJ4336-01-3070	HLJ4336-01-3080	HLJ4336-01-3090	HLJ4336-01-3000
	HLJ4336-01-3012	HLJ4336-01-3022	HLJ4336-01-3032	HLJ4336-01-3042	HLJ4336-01-3052	HLJ4336-01-3062	HLJ4336-01-3072	HLJ4336-01-3082	HLJ4336-01-3092	HLJ4336-01-3002



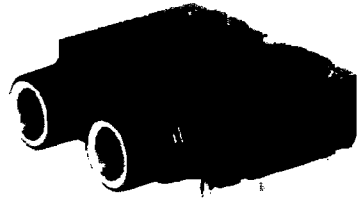
HLJ4338-01-3010



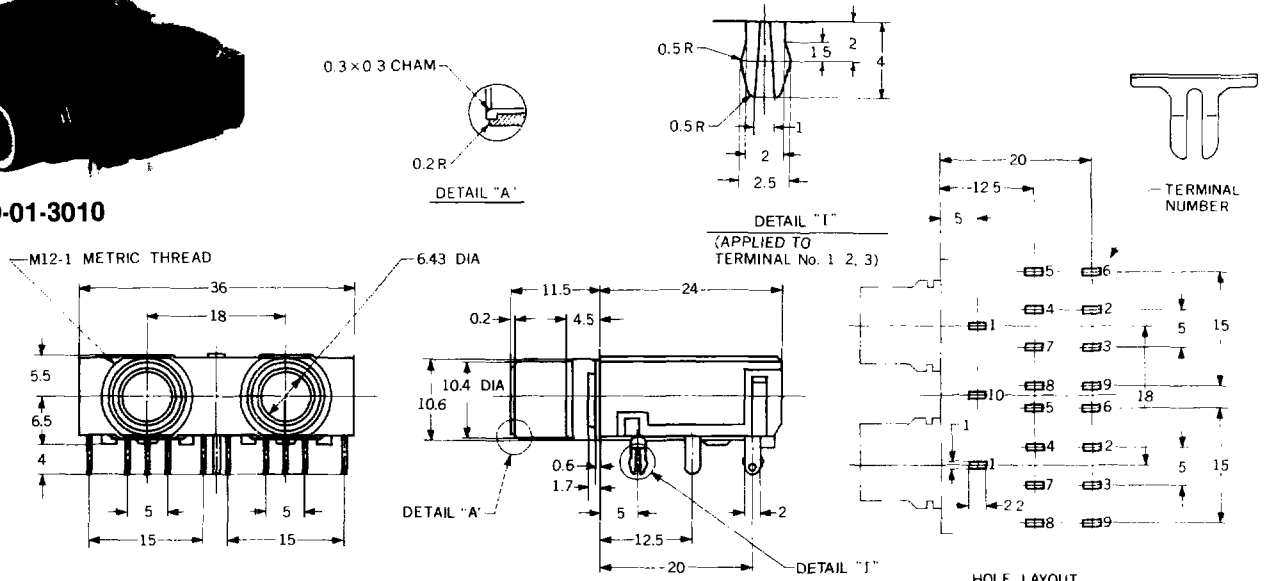
Schematic										
Housing material	Black	Black	Black	Black	Black	Black	Black	Black	Black	Black
	Gray-White	Gray-White	Gray-White	Gray-White	Gray-White	Gray-White	Gray-White	Gray-White	Gray-White	Gray-White
Standard grade	HLJ4338-01-3010	HLJ4338-01-3020	HLJ4338-01-3030	HLJ4338-01-3040	HLJ4338-01-3050	HLJ4338-01-3060	HLJ4338-01-3070	HLJ4338-01-3080	HLJ4338-01-3090	HLJ4338-01-3000
	HLJ4338-01-3012	HLJ4338-01-3022	HLJ4338-01-3032	HLJ4338-01-3042	HLJ4338-01-3052	HLJ4338-01-3062	HLJ4338-01-3072	HLJ4338-01-3082	HLJ4338-01-3092	HLJ4338-01-3002

大形ジャック (プリント基板用)
PHONE JACKS (P.C. Board Terminals)

UNIT: mm

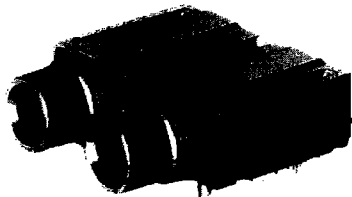


HLJ0529-01-3010

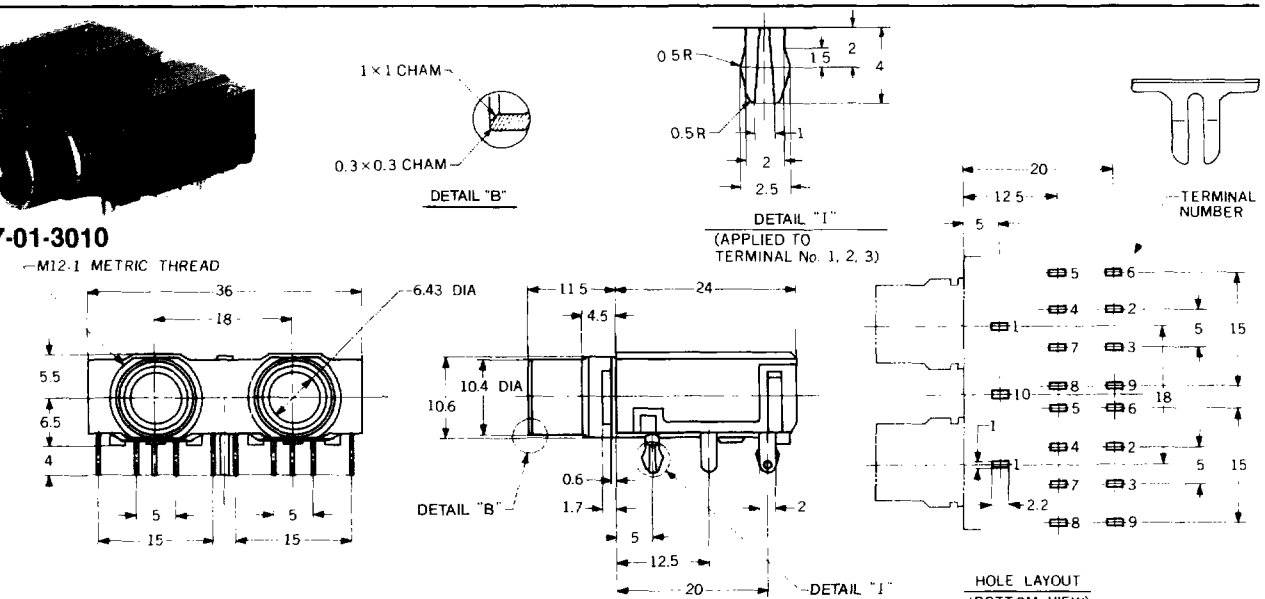


注記：シールドプレート付も可能です。 **Note: Shield attached type is also available.**

Schematic											
Standard grade	Black	HLJ0529-01-3010	HLJ0529-01-3020	HLJ0529-01-3030	HLJ0529-01-3040	HLJ0529-01-3050	HLJ0529-01-3060	HLJ0529-01-3070	HLJ0529-01-3080	HLJ0529-01-3090	HLJ0529-01-3000
	Gray-White	HLJ0529-01-3012	HLJ0529-01-3022	HLJ0529-01-3032	HLJ0529-01-3042	HLJ0529-01-3052	HLJ0529-01-3062	HLJ0529-01-3072	HLJ0529-01-3082	HLJ0529-01-3092	HLJ0529-01-3002



HLJ0527-01-3010

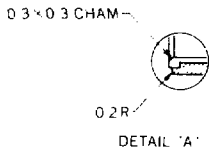
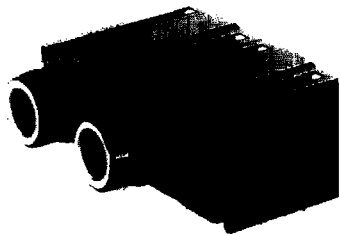


注記：シールドプレート付も可能です。 **Note: Shield attached type is also available.**

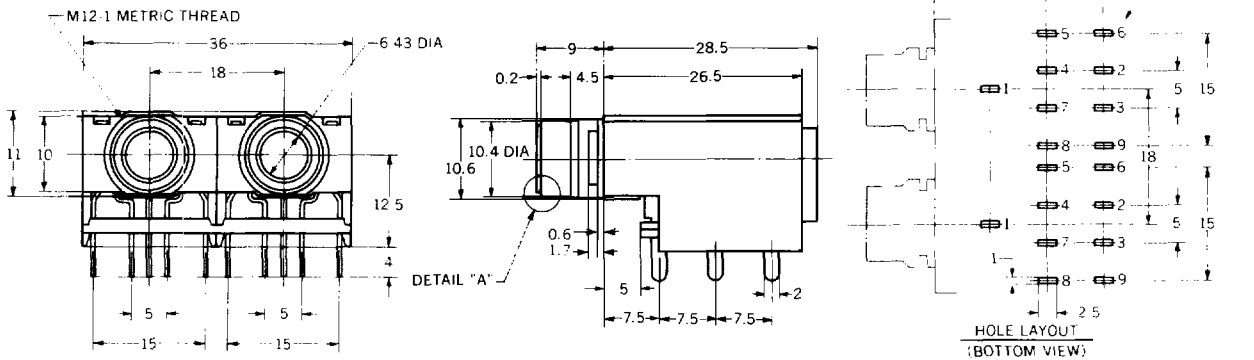
Schematic											
Standard grade	Black	HLJ0527-01-3010	HLJ0527-01-3020	HLJ0527-01-3030	HLJ0527-01-3040	HLJ0527-01-3050	HLJ0527-01-3060	HLJ0527-01-3070	HLJ0527-01-3080	HLJ0527-01-3090	HLJ0527-01-3000
	Gray-White	HLJ0527-01-3012	HLJ0527-01-3022	HLJ0527-01-3032	HLJ0527-01-3042	HLJ0527-01-3052	HLJ0527-01-3062	HLJ0527-01-3072	HLJ0527-01-3082	HLJ0527-01-3092	HLJ0527-01-3002

大形ジャック (プリント基板用)
PHONE JACKS (P.C. Board Terminals)

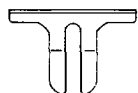
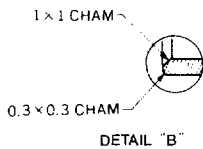
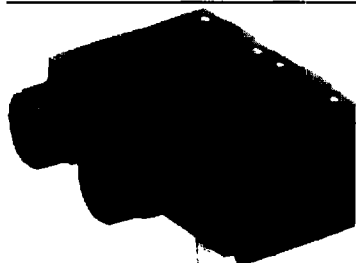
UNIT: mm



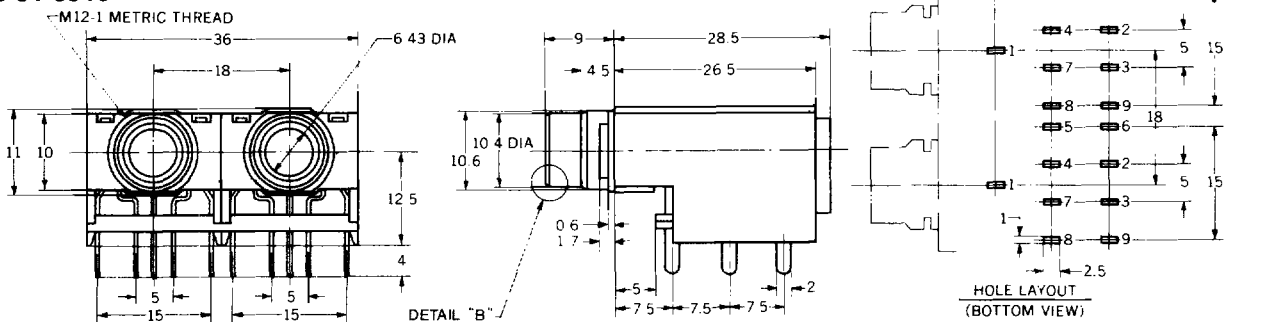
HLJ0345-01-3010



Schematic	[Schematic diagrams for HLJ0345-01-3010 to HLJ0345-01-3000]										
	[Schematic diagrams for HLJ0345-01-3010 to HLJ0345-01-3000]										
Housing material	Black	HLJ0345-01-3010	HLJ0345-01-3020	HLJ0345-01-3030	HLJ0345-01-3040	HLJ0345-01-3050	HLJ0345-01-3060	HLJ0345-01-3070	HLJ0345-01-3080	HLJ0345-01-3090	HLJ0345-01-3000
	Gray-White	HLJ0345-01-3012	HLJ0345-01-3022	HLJ0345-01-3032	HLJ0345-01-3042	HLJ0345-01-3052	HLJ0345-01-3062	HLJ0345-01-3072	HLJ0345-01-3082	HLJ0345-01-3092	HLJ0345-01-3002



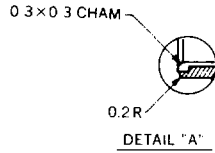
HLJ0346-01-3010



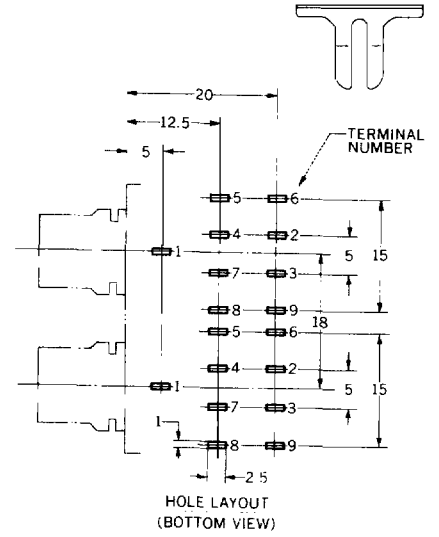
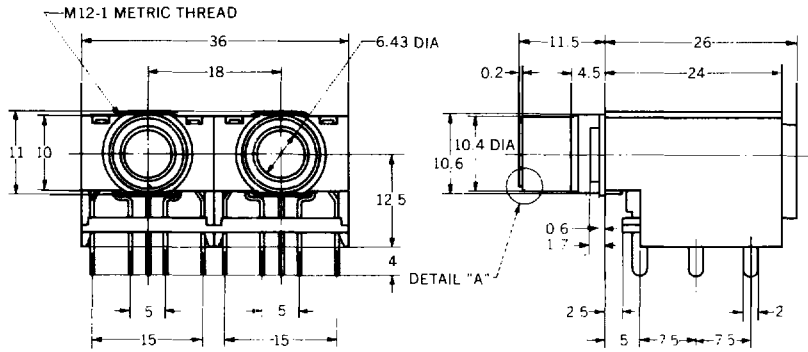
Schematic	[Schematic diagrams for HLJ0346-01-3010 to HLJ0346-01-3000]										
	[Schematic diagrams for HLJ0346-01-3010 to HLJ0346-01-3000]										
Housing material	Black	HLJ0346-01-3010	HLJ0346-01-3020	HLJ0346-01-3030	HLJ0346-01-3040	HLJ0346-01-3050	HLJ0346-01-3060	HLJ0346-01-3070	HLJ0346-01-3080	HLJ0346-01-3090	HLJ0346-01-3000
	Gray-White	HLJ0346-01-3012	HLJ0346-01-3022	HLJ0346-01-3032	HLJ0346-01-3042	HLJ0346-01-3052	HLJ0346-01-3062	HLJ0346-01-3072	HLJ0346-01-3082	HLJ0346-01-3092	HLJ0346-01-3002

大形ジャック (プリント基板用)
PHONE JACKS (P.C. Board Terminals)

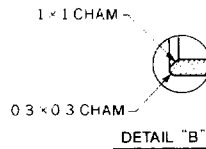
UNIT: mm



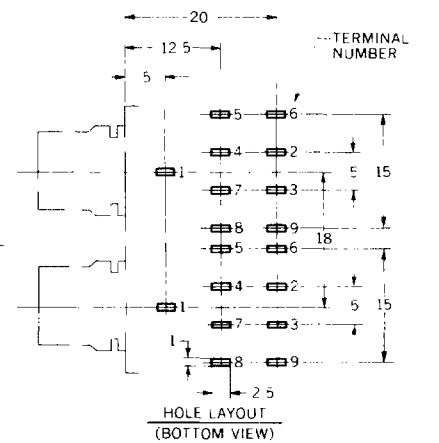
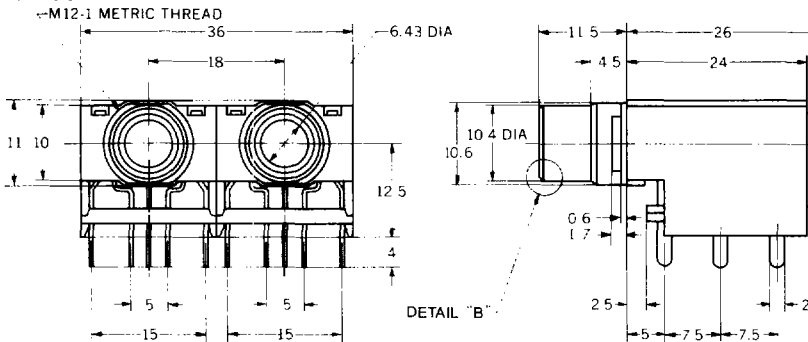
HLJ0347-01-3010



Schematic	[Schematic diagrams for HLJ0347-01-3010 to HLJ0347-01-3002]										
	[Schematic diagrams for HLJ0347-01-3010 to HLJ0347-01-3002]										
Housing material	Black	HLJ0347-01-3010	HLJ0347-01-3020	HLJ0347-01-3030	HLJ0347-01-3040	HLJ0347-01-3050	HLJ0347-01-3060	HLJ0347-01-3070	HLJ0347-01-3080	HLJ0347-01-3090	HLJ0347-01-3000
	Gray-White	HLJ0347-01-3012	HLJ0347-01-3022	HLJ0347-01-3032	HLJ0347-01-3042	HLJ0347-01-3052	HLJ0347-01-3062	HLJ0347-01-3072	HLJ0347-01-3082	HLJ0347-01-3092	HLJ0347-01-3002
Noncombustible grade											



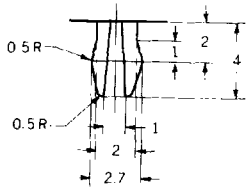
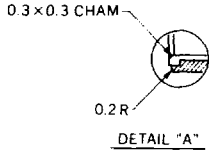
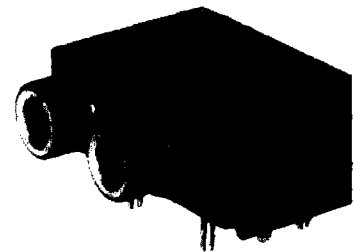
HLJ0348-01-3010



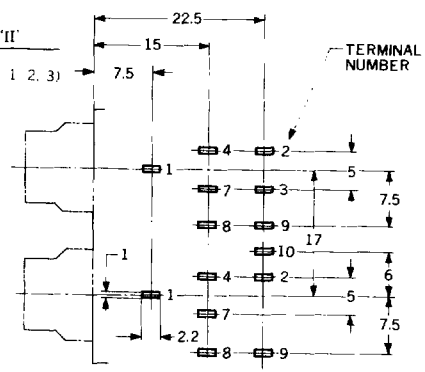
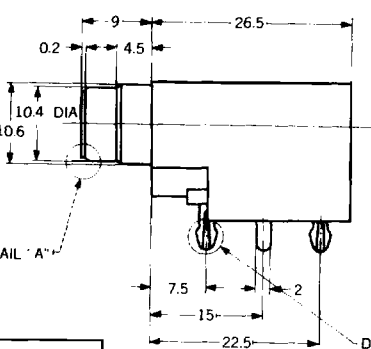
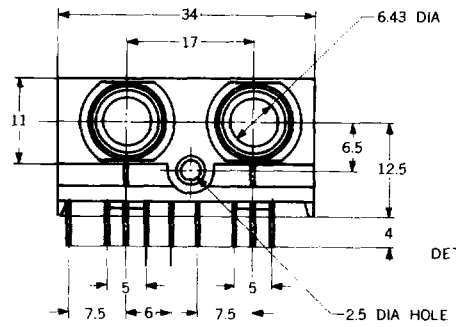
Schematic	[Schematic diagrams for HLJ0348-01-3010 to HLJ0348-01-3002]										
	[Schematic diagrams for HLJ0348-01-3010 to HLJ0348-01-3002]										
Housing material	Black	HLJ0348-01-3010	HLJ0348-01-3020	HLJ0348-01-3030	HLJ0348-01-3040	HLJ0348-01-3050	HLJ0348-01-3060	HLJ0348-01-3070	HLJ0348-01-3080	HLJ0348-01-3090	HLJ0348-01-3000
	Gray-White	HLJ0348-01-3012	HLJ0348-01-3022	HLJ0348-01-3032	HLJ0348-01-3042	HLJ0348-01-3052	HLJ0348-01-3062	HLJ0348-01-3072	HLJ0348-01-3082	HLJ0348-01-3092	HLJ0348-01-3002
Noncombustible grade											

PHONE JACKS (P.C. Board Terminals)

UNIT: mm



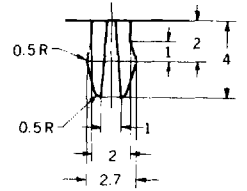
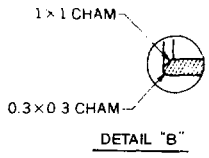
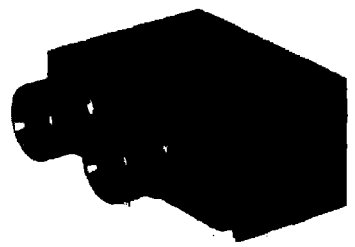
HLJ0522-01-3010



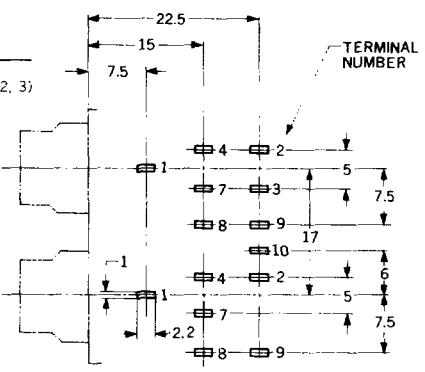
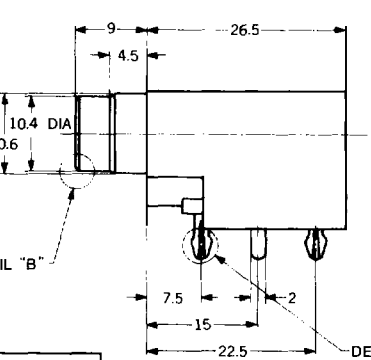
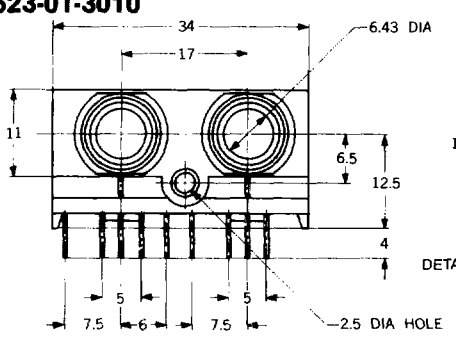
Schematic					
Housing material	Black	HLJ0522-01-3010	HLJ0522-01-3020	HLJ0522-01-3030	HLJ0522-01-3040
Standard grade	Gray-White	HLJ0522-01-3012	HLJ0522-01-3022	HLJ0522-01-3032	HLJ0522-01-3042

注記：シールドプレート付も可能です。

Note: Shield attached type is also available.



HLJ0523-01-3010



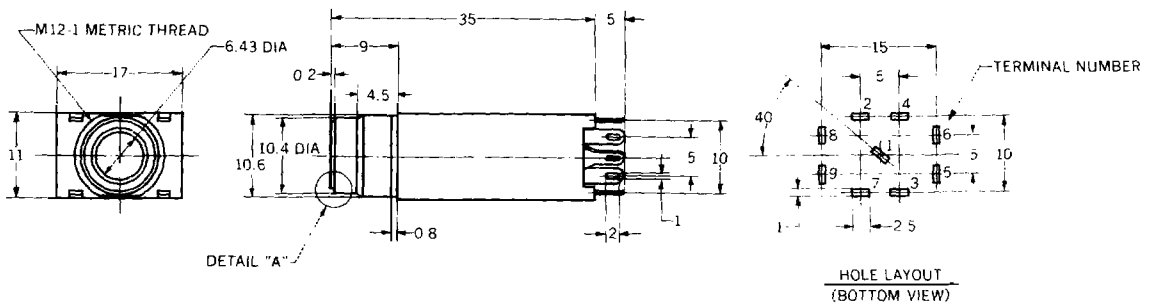
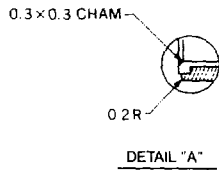
Schematic					
Housing material	Black	HLJ0523-01-3010	HLJ0523-01-3020	HLJ0523-01-3030	HLJ0523-01-3040
Standard grade	Gray-White	HLJ0523-01-3012	HLJ0523-01-3022	HLJ0523-01-3032	HLJ0523-01-3042

注記：シールドプレート付も可能です。

Note: Shield attached type is also available.



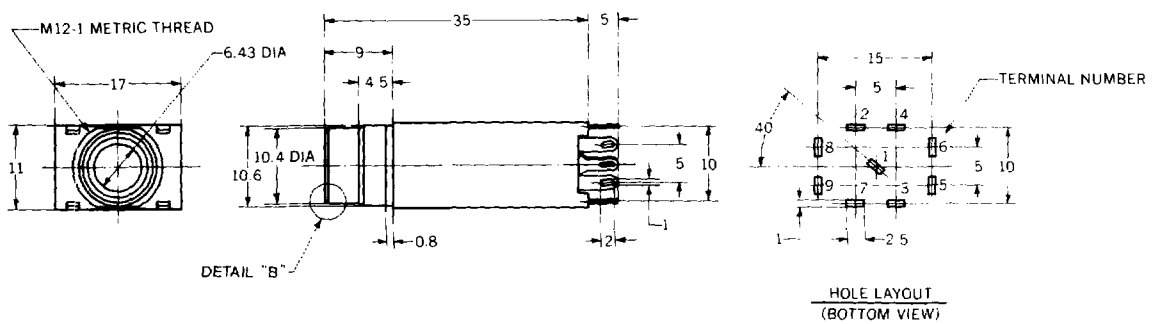
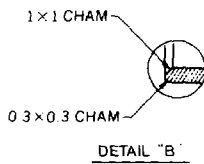
HLJ0605-01-010



Schematic											
	Housing material / Housing color		Schematic		Schematic		Schematic		Schematic		Schematic
Noncombustible grade	Black	HLJ0605-01-010	HLJ0605-01-020	HLJ0605-01-030	HLJ0605-01-040	HLJ0605-01-050	HLJ0605-01-060	HLJ0605-01-070	HLJ0605-01-080	HLJ0605-01-090	HLJ0605-01-100
	Gray-White	HLJ0605-01-110	HLJ0605-01-120	HLJ0605-01-130	HLJ0605-01-140	HLJ0605-01-150	HLJ0605-01-160	HLJ0605-01-170	HLJ0605-01-180	HLJ0605-01-190	HLJ0605-01-200



HLJ0606-01-010



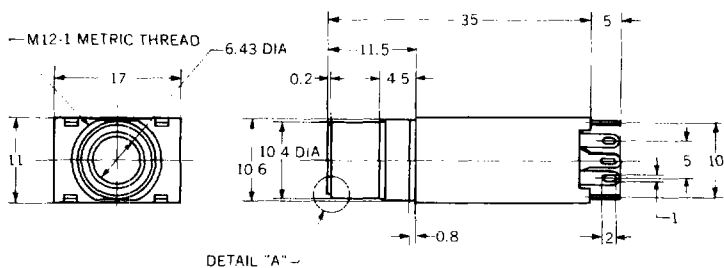
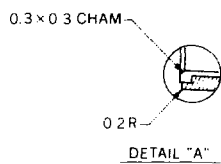
Schematic											
	Housing material / Housing color		Schematic		Schematic		Schematic		Schematic		Schematic
Noncombustible grade	Black	HLJ0606-01-010	HLJ0606-01-020	HLJ0606-01-030	HLJ0606-01-040	HLJ0606-01-050	HLJ0606-01-060	HLJ0606-01-070	HLJ0606-01-080	HLJ0606-01-090	HLJ0606-01-100
	Gray-White	HLJ0606-01-110	HLJ0606-01-120	HLJ0606-01-130	HLJ0606-01-140	HLJ0606-01-150	HLJ0606-01-160	HLJ0606-01-170	HLJ0606-01-180	HLJ0606-01-190	HLJ0606-01-200

PHONE JACKS (Lead Wire/P.C. Board Terminals)

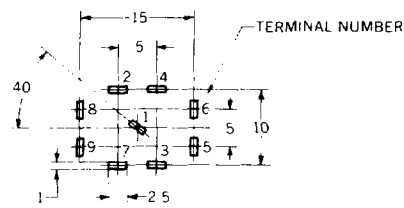
UNIT: mm



HLJ0607-01-010

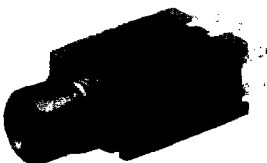


DETAIL "A"

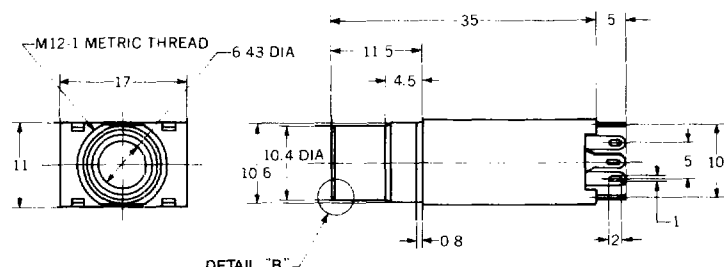
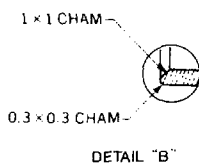


HOLE LAYOUT (BOTTOM VIEW)

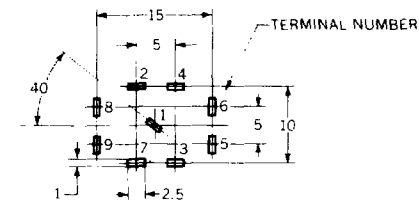
Schematic	Housing material / color											
	Black	Gray-White	HLJ0607-01-010	HLJ0607-01-020	HLJ0607-01-030	HLJ0607-01-040	HLJ0607-01-050	HLJ0607-01-060	HLJ0607-01-070	HLJ0607-01-080	HLJ0607-01-090	HLJ0607-01-100
Noncombustible grade	Black	Gray-White	HLJ0607-01-010	HLJ0607-01-020	HLJ0607-01-030	HLJ0607-01-040	HLJ0607-01-050	HLJ0607-01-060	HLJ0607-01-070	HLJ0607-01-080	HLJ0607-01-090	HLJ0607-01-100
			HLJ0607-01-110	HLJ0607-01-120	HLJ0607-01-130	HLJ0607-01-140	HLJ0607-01-150	HLJ0607-01-160	HLJ0607-01-170	HLJ0607-01-180	HLJ0607-01-190	HLJ0607-01-200



HLJ0608-01-010



DETAIL "B"

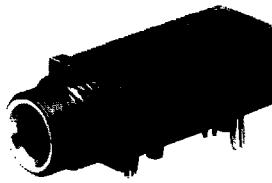


HOLE LAYOUT (BOTTOM VIEW)

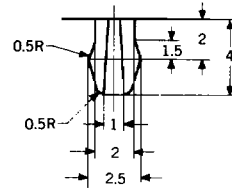
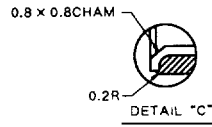
Schematic	Housing material / color											
	Black	Gray-White	HLJ0608-01-010	HLJ0608-01-020	HLJ0608-01-030	HLJ0608-01-040	HLJ0608-01-050	HLJ0608-01-060	HLJ0608-01-070	HLJ0608-01-080	HLJ0608-01-090	HLJ0608-01-100
Noncombustible grade	Black	Gray-White	HLJ0608-01-010	HLJ0608-01-020	HLJ0608-01-030	HLJ0608-01-040	HLJ0608-01-050	HLJ0608-01-060	HLJ0608-01-070	HLJ0608-01-080	HLJ0608-01-090	HLJ0608-01-100
			HLJ0608-01-110	HLJ0608-01-120	HLJ0608-01-130	HLJ0608-01-140	HLJ0608-01-150	HLJ0608-01-160	HLJ0608-01-170	HLJ0608-01-180	HLJ0608-01-190	HLJ0608-01-200

大形ジャック (プリント基板用)
PHONE JACKS (P.C. Board Terminals)

UNIT: mm



HLJ1520-01-3010



DETAIL "I"
 (APPLIED TO
 TERMINAL No. 1, 2, 3 or 4)

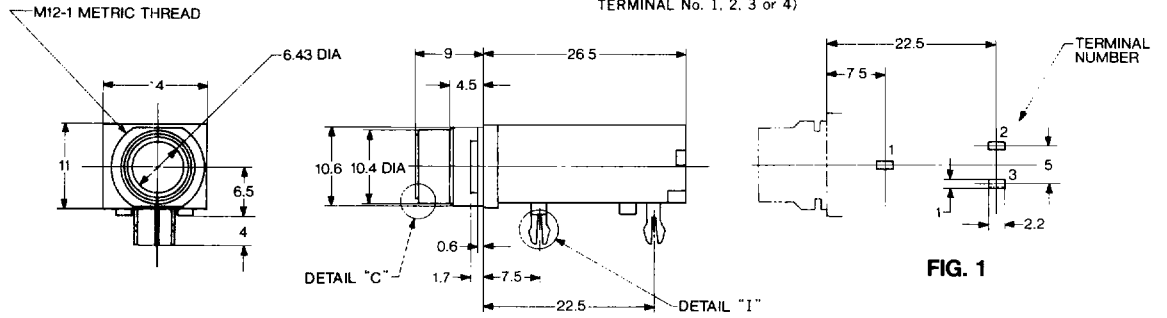


FIG. 1

Schematic				
	Hole Layout		Hole Layout	
Housing material	Housing color	FIG. 1	FIG. 2	
		Standard grade	Black	HLJ1520-01-3010
	Gray-White	HLJ1520-01-3020	HLJ1520-01-3120	

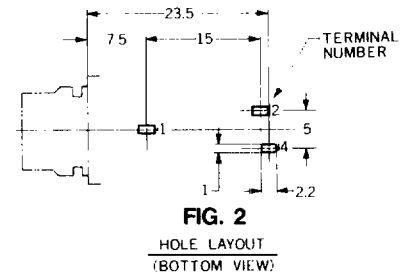
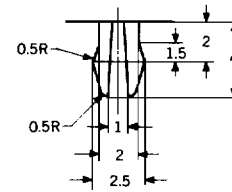
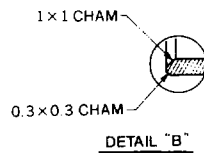


FIG. 2

HOLE LAYOUT
 (BOTTOM VIEW)



HLJ0521-01-1010



DETAIL "I"
 (APPLIED TO
 TERMINAL No. 1, 2, 3 or 4)

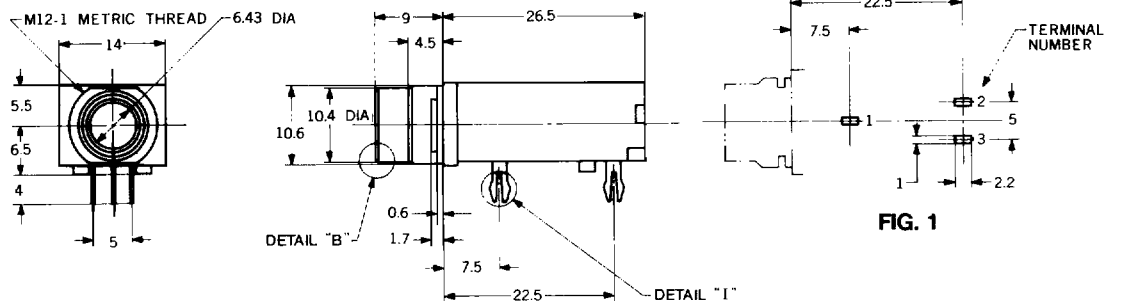


FIG. 1

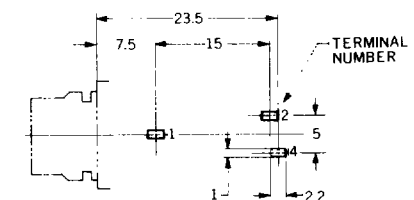


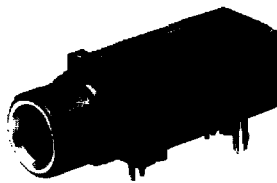
FIG. 2

HOLE LAYOUT
 (BOTTOM VIEW)

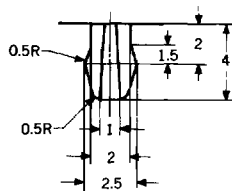
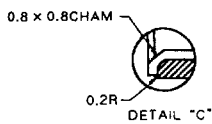
Schematic				
	Hole Layout		Hole Layout	
Housing material	Housing color	FIG. 1	FIG. 2	
		Standard grade	Black	HLJ0521-01-1010
	Gray-White	HLJ0521-01-1020	HLJ0521-01-1120	

大形ジャック (プリント基板用)
PHONE JACKS (P.C. Board Terminals)

UNIT: mm



HLJ1540-01-3010



DETAIL "I"
(APPLIED TO
TERMINAL No. 1, 2, 3 or 4)

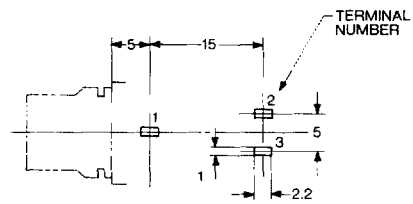
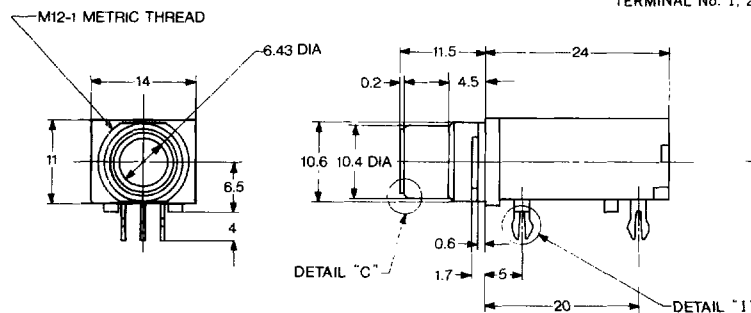


FIG. 1

Schematic		
Hole Layout		
Housing material	Black	HLJ1540-01-3010
	Gray-White	HLJ1540-01-3110
Standard grade	Black	HLJ1540-01-3020
	Gray-White	HLJ1540-01-3120

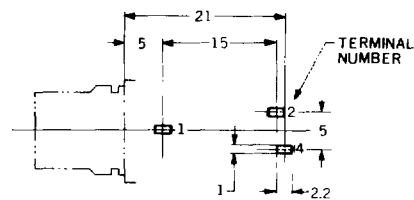
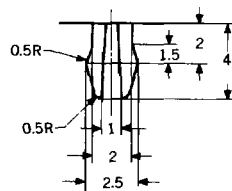
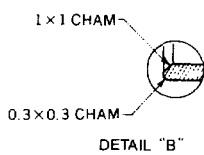


FIG. 2

HOLE LAYOUT
(BOTTOM VIEW)



HLJ0541-01-1010



DETAIL "I"
(APPLIED TO
TERMINAL No. 1, 2, 3 or 4)

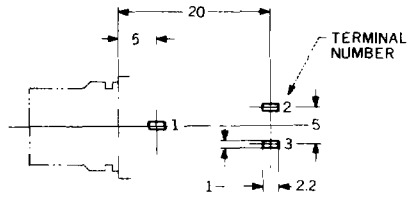
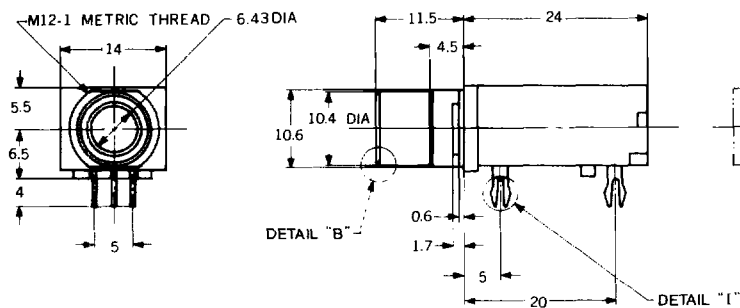


FIG. 1

Schematic		
Hole Layout		
Housing material	Black	HLJ0541-01-1010
	Gray-White	HLJ0541-01-1110
Standard grade	Black	HLJ0541-01-1020
	Gray-White	HLJ0541-01-1120

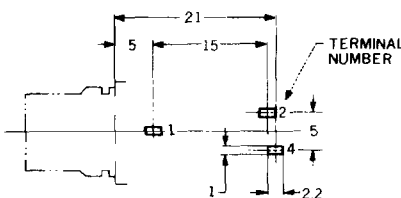
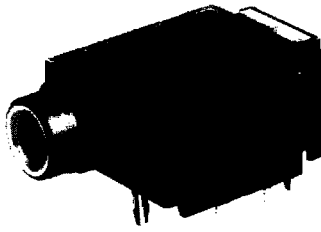


FIG. 2

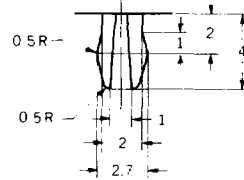
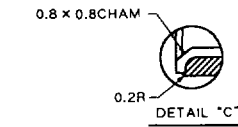
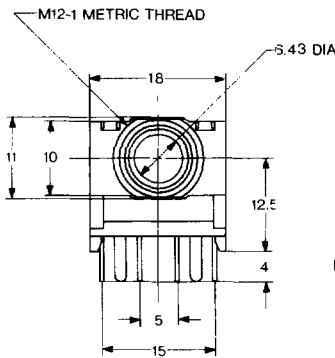
HOLE LAYOUT
(BOTTOM VIEW)

大形ジャック (プリント基板用)
PHONE JACKS (P.C. Board Terminals)

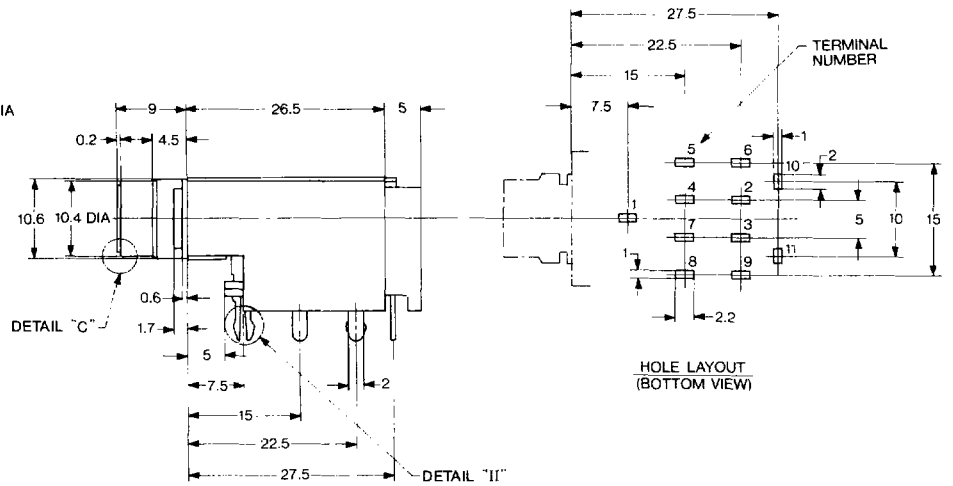
UNIT: mm



HLJ5815-01-4010



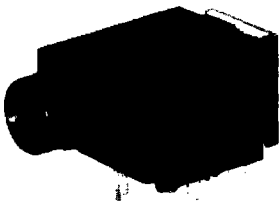
DETAIL "II"
 (APPLIED TO
 TERMINAL No. 1, 2, 3)



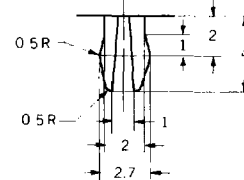
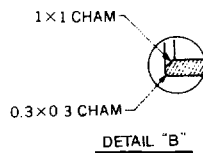
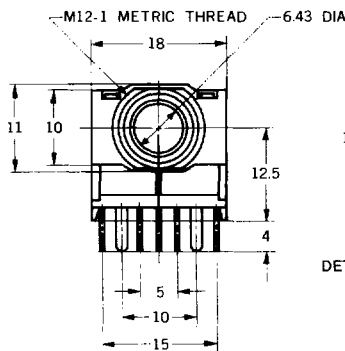
Schematic			
Housing material	Housing color		
Standard grade	Black	HLJ5815-01-4010	HLJ5815-01-4020
	Gray-White	HLJ5815-01-4012	HLJ5815-01-4022

通常の回路の他にタイミングラグのある回路 (端子 No. 10, 11) が追加されています。ラジカセ、その他ヘッドホンモニター用に使用されます。

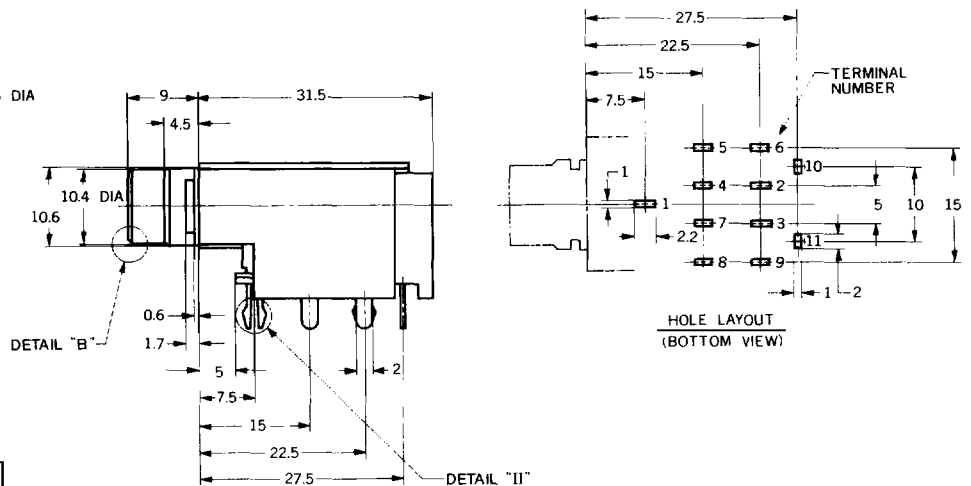
Besides the ordinary circuit, a circuit with timing lugs (terminal No. 10, 11) is added. It is used for headphone monitor as well as for radio/cassette.



HLJ4816-01-010



DETAIL "II"
 (APPLIED TO
 TERMINAL No. 1, 2, 3)



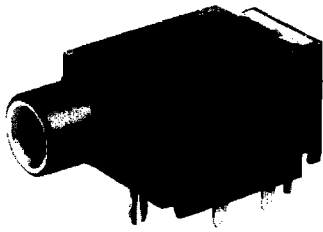
Schematic			
Housing material	Housing color		
Standard grade	Black	HLJ4816-01-010	HLJ4816-01-020
	Gray-White	HLJ4816-01-110	HLJ4816-01-120

通常の回路の他にタイミングラグのある回路 (端子 No. 10, 11) が追加されています。ラジカセ、その他ヘッドホンモニター用に使用されます。

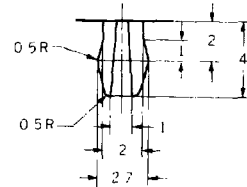
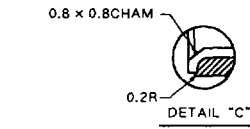
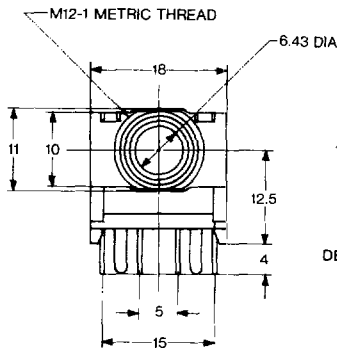
Besides the ordinary circuit, a circuit with timing lugs (terminal No. 10, 11) is added. It is used for headphone monitor as well as for radio/cassette.

大形ジャック (プリント基板用)
PHONE JACKS (P.C. Board Terminals)

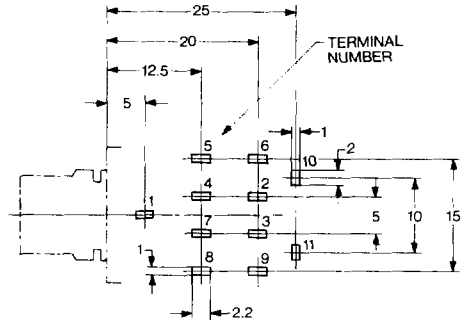
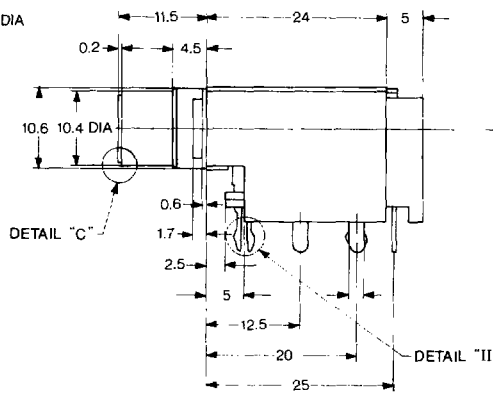
UNIT: mm



HLJ5817-01-4010



DETAIL "II"
(APPLIED TO
TERMINAL No 1, 2, 3)

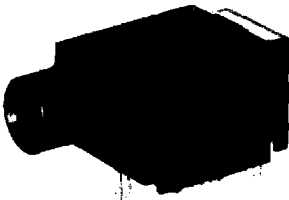


HOLE LAYOUT
(BOTTOM VIEW)

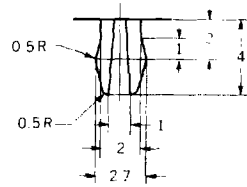
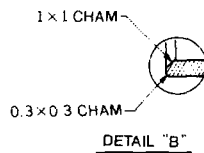
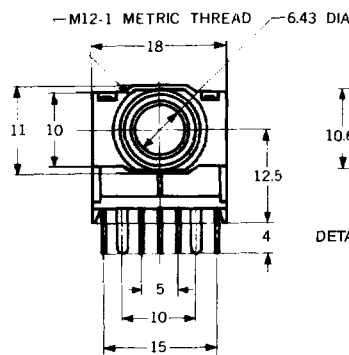
Schematic			
Housing material	Housing color		
Standard grade	Black	HLJ5817-01-4010	HLJ5817-01-4020
	Gray-White	HLJ5817-01-4012	HLJ5817-01-4022

通常の回路の他にタイミングラグのある回路 (端子 No. 10、11) が追加されています。ラジカセ、その他ヘッドホンモニター用に使用されます。

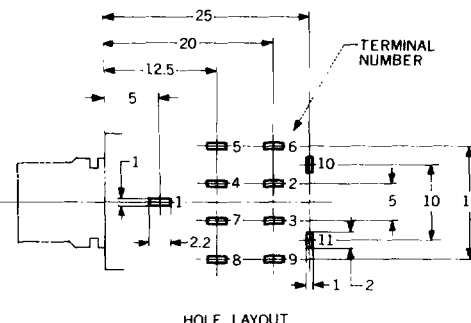
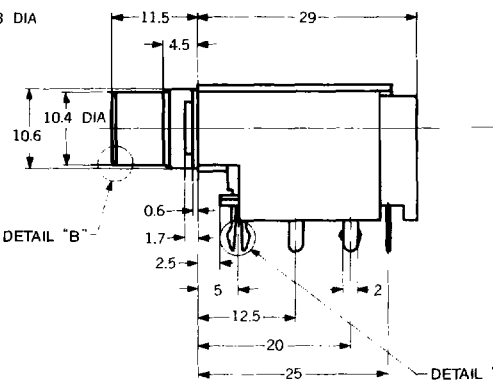
Besides the ordinary circuit, a circuit with timing lugs (terminal No. 10, 11) is added. It is used for headphone monitor as well as for radio/cassette.



HLJ4818-01-010



DETAIL "II"
(APPLIED TO
TERMINAL No 1, 2, 3)



HOLE LAYOUT
(BOTTOM VIEW)

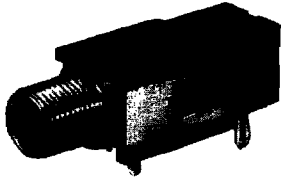
Schematic			
Housing material	Housing color		
Standard grade	Black	HLJ4818-01-010	HLJ4818-01-020
	Gray-White	HLJ4818-01-110	HLJ4818-01-120

通常の回路の他にタイミングラグのある回路 (端子 No. 10、11) が追加されています。ラジカセ、その他ヘッドホンモニター用に使用されます。

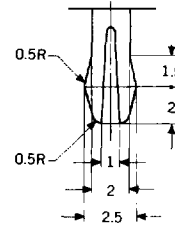
Besides the ordinary circuit, a circuit with timing lugs (terminal No. 10, 11) is added. It is used for headphone monitor as well as for radio/cassette.

大形ジャック (プリント基板用)
PHONE JACKS (P.C. Board Terminals)

UNIT: mm



HLJ0544-01-010



DETAIL "III"
(APPLIED TO
TERMINAL No. 1, 2, 3 or 4)

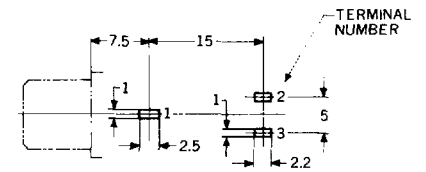
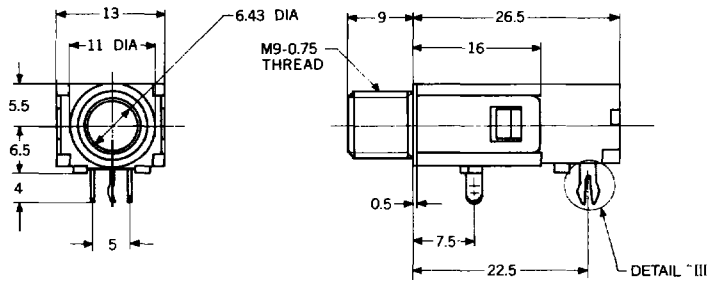


FIG. 1

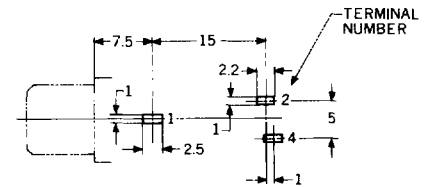
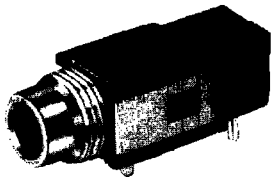


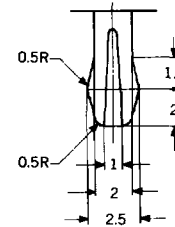
FIG. 2

HOLE LAYOUT
(BOTTOM VIEW)

Schematic	Hole Layout		
Housing material	Housing color	FIG. 1	FIG. 2
	Standard grade	Black	HLJ0544-01-010
	Gray-White	-	-



HLJ0546-01-010



DETAIL "III"
(APPLIED TO
TERMINAL No. 1, 2, 3 or 4)

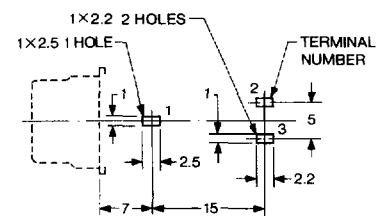
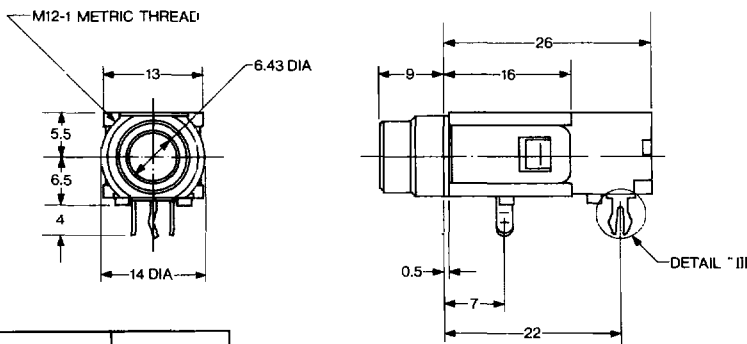


FIG. 1

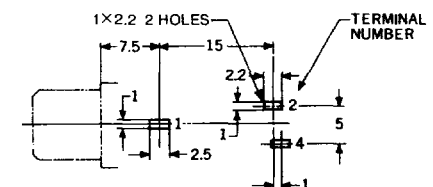


FIG. 2

HOLE LAYOUT
(BOTTOM VIEW)

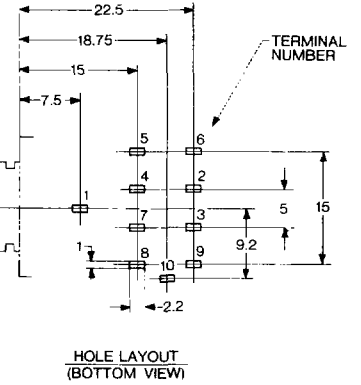
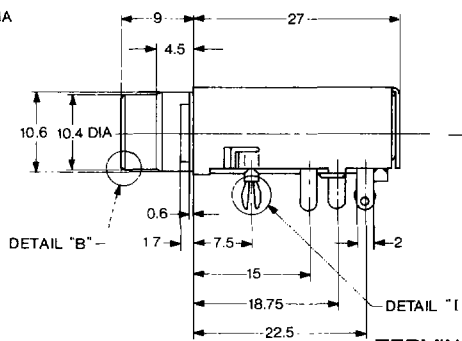
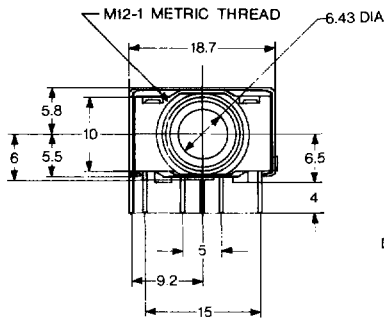
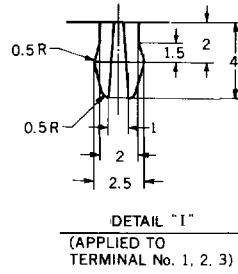
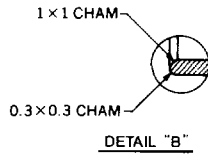
Schematic	Hole Layout		
Housing material	Housing color	FIG. 1	FIG. 2
	Standard grade	Black	HLJ0546-01-010
	Gray-White	-	-

PHONE JACKS (P.C. Board Terminals)

UNIT: mm



HLJ4416-013010



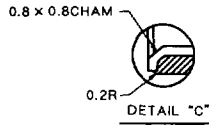
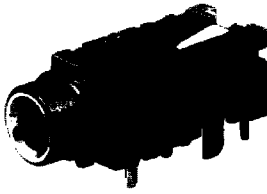
TERMINAL No. 10はシールドケースを示す。

TERMINAL No. 10 indicates shield terminal.

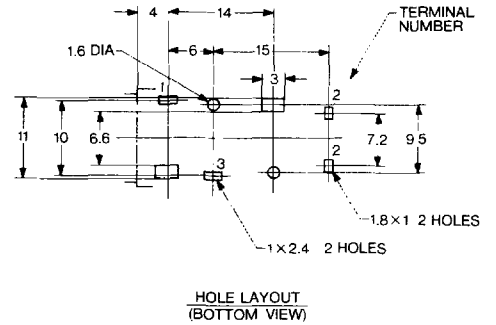
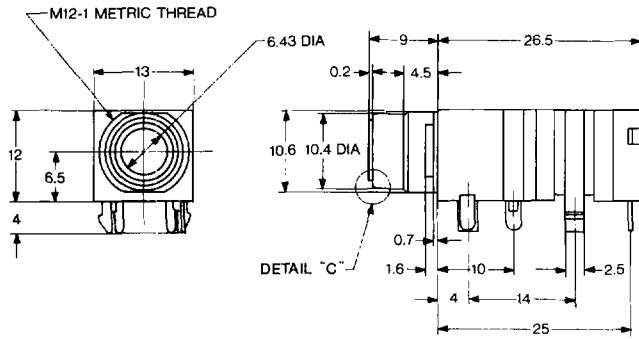
Schematic	Housing material / Housing color																		
	Black	Gray-White	Black	Gray-White	Black	Gray-White	Black	Gray-White	Black	Gray-White									
HLJ4416-013010	HLJ4416-013012	HLJ4416-013020	HLJ4416-013022	HLJ4416-013030	HLJ4416-013032	HLJ4416-013040	HLJ4416-013042	HLJ4416-013050	HLJ4416-013052	HLJ4416-013060	HLJ4416-013062	HLJ4416-013070	HLJ4416-013072	HLJ4416-013080	HLJ4416-013082	HLJ4416-013090	HLJ4416-013092	HLJ4416-013000	HLJ4416-013002

大形ジャック (プリント基板用) PHONE JACKS (P.C. Board Terminals)

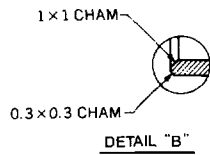
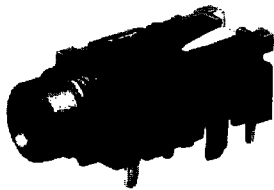
UNIT: mm



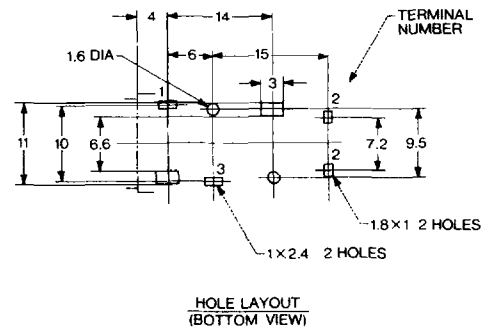
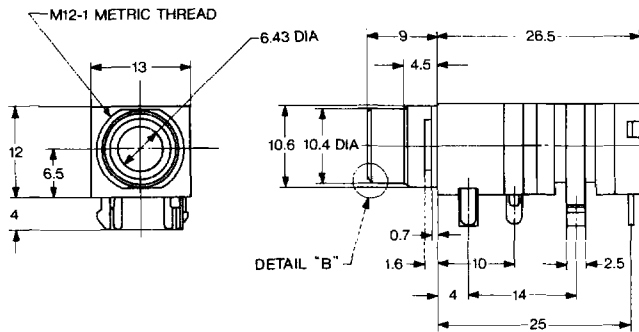
HLJ7000-01-3010



Schematic		
Housing material	Housing color	
Standard grade	Black	HLJ7000-01-3010
	Gray-White	HLJ7000-01-3020



HLJ7001-01-3010



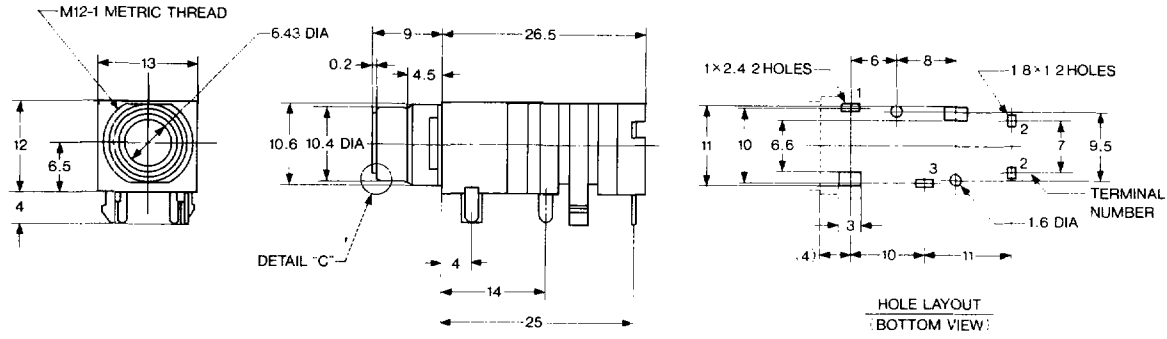
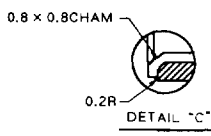
Schematic		
Housing material	Housing color	
Standard grade	Black	HLJ7001-01-3010
	Gray-White	HLJ7001-01-3020

PHONE JACKS (P.C. Board Terminals)

UNIT: mm



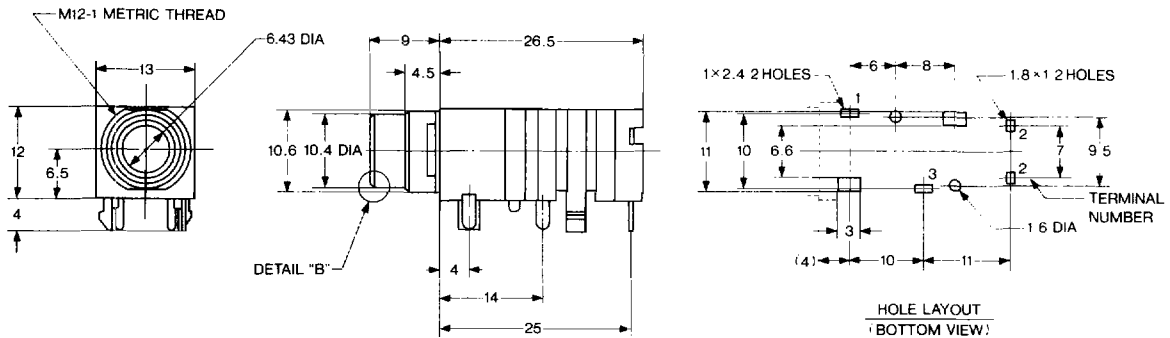
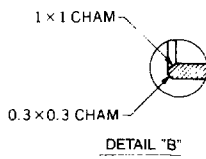
HLJ7100-01-3010



Schematic		
Housing material	Housing color	
Standard grade	Black	HLJ7100-01-3010
	Gray-White	HLJ7100-01-3020



HLJ7101-01-3010



Schematic		
Housing material	Housing color	
Standard grade	Black	HLJ7101-01-3010
	Gray-White	HLJ7101-01-3020