

Description:

The V85H Crystal Oscillator (VCXO) Series products provide a wide range of options in temperature stability, pullability, and very high operating frequency range in a 7.0 x 5.0 mm ceramic package.



Features:

- Available in frequencies from 325 MHz to 700 MHz.
- Tri-state Enable/Disable
- Hermetically sealed ceramic SMD package
- PECL / LVDS
- RoHS-6/Leadfree compliant

Frequency Range

Frequency
325 to 700 MHz

Operating Temperature

Operating Temperature	Product Code
-10 to +60C	A
0 to +70C	B
-20 to 70C	C
-40 to 85C	D

Frequency Stability

Freq. Stability	Product Code
+/- 25 ppm	A
+/- 50 ppm	B

Frequency stability includes 25C tolerance, drift over temperature, change versus voltage and load, 20 year aging, shock and vibration

Aging: (typical at 622.08MHz after 30 days continuous operation)

Frequency	Timeframe	Aging	Product Code
622.08 MHz	1st Year	+/- 5.0ppm	N/A

Supply Voltage (Vs):

Power Supply (Vs)	3.3 Vdc +/-10%
Product Code	N/A

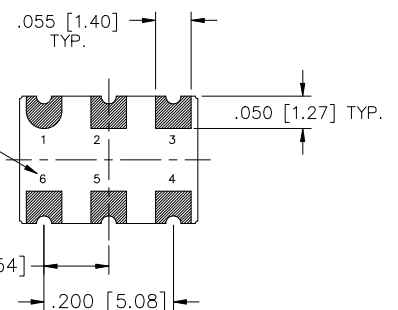
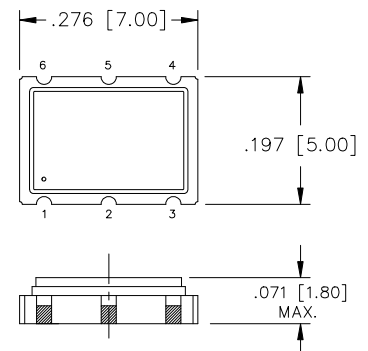
Supply Voltage Sensitivity (+/- 10%) : +/- 2 ppm max. frequency change

Frequency versus Voltage:

3.3 volt		5.0 volt	
0 to 3.3v on Pin 1	Product Code	0.5v to 4.5v on Pin1	Product Code
+/-100 ppm min	N/A	+/-100 ppm min	N/A

Current Consumption (I_{DD}):

	I _{DD} (at 3.3V)
	PECL / LVDS
Frequency Range (MHz)	mA
325.000 to 700.000	100 / 80



NUMBERS FOR REFERENCE ONLY

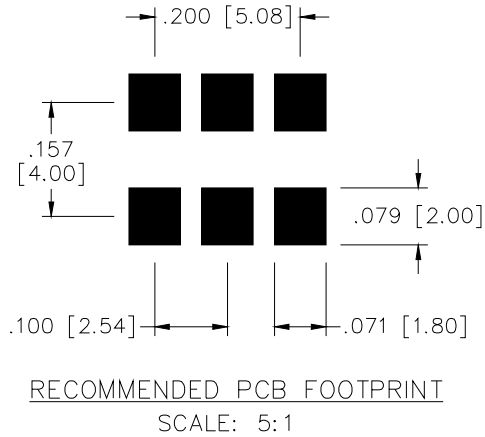
- PIN CONNECTIONS**
1. VOLTAGE CONTROL
 2. TRISTATE
 3. GROUND
 4. OUTPUT
 5. COMPLIMENTARY OUTPUT
 6. + VDC

Environmental:

Storage Temperature	-55 to +125 °C
---------------------	----------------

Output Waveform:

	PECL	LVDS
Product Code	A	B
	At 3.3 V	At 3.3 V
Output Logic 1	2.275Vmin	1.6Vmax
Output Logic 0	1.680Vmax	0.9Vmin
Rise/Fall Time (nS)	1 max	1 max



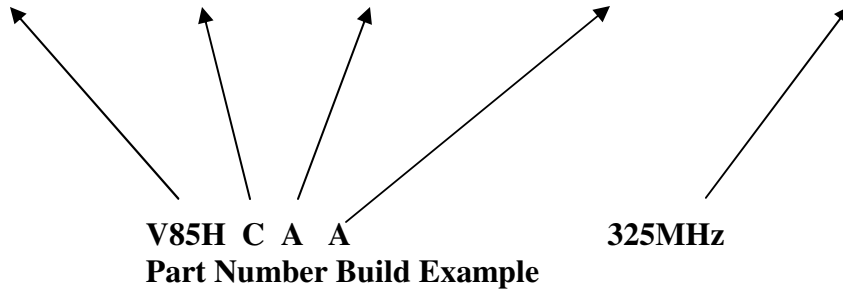
Start-up Time: 3 mS max.

Tri-state function Pin 2:

Pin 2 = Output Active with 2.5 V or greater

Ordering Options:

Product Family	Operating Temperature	Temperature Stability	Output Type	Operating Frequency
V85H	A	A	A	XXX.XXXMHz
V85H	B	B	B	XXX.XXXMHz
V85H	C	C		XXX.XXXMHz
V85H	D			XXX.XXXMHz



****Consult Bliley sales if other options required**

RoHs compliant ; -20 to 70C ; +/- 25 ppm; PECL outputs and 325 MHz nominal operating frequency.

How to Order This Product:

Contact Bliley Technologies with Product Selection Code from Ordering Options Section above.