

AP3216HC      BRIGHT RED

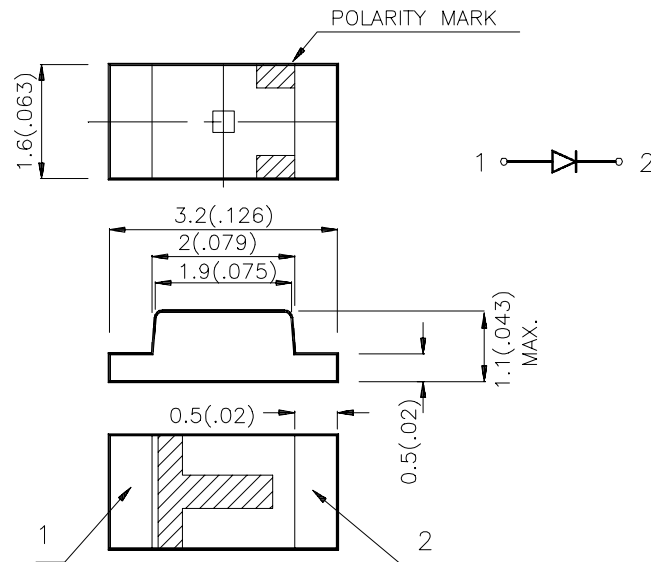
### Features

- 3.2mmx1.6mm SMT LED, 1.1mm THICKNESS.
- LOW POWER CONSUMPTION.
- WIDE VIEWING ANGLE.
- IDEAL FOR BACKLIGHT AND INDICATOR.
- VARIOUS COLORS AND LENS TYPES AVAILABLE.
- PACKAGE : 2000PCS / REEL.

### Description

The Bright Red source color devices are made with Gallium Phosphide Red Light Emitting Diode.

### Package Dimensions



#### Notes:

1. All dimensions are in millimeters (inches).
2. Tolerance is  $\pm 0.2$  (0.0079") unless otherwise noted.
3. Lead spacing is measured where the lead emerge package.
4. Specifications are subject to change without notice.

## Selection Guide

| Part No. | Dice            | Lens Type   | Iv (mcd)<br>@ 20 mA |      | Viewing<br>Angle |
|----------|-----------------|-------------|---------------------|------|------------------|
|          |                 |             | Min.                | Typ. | θ1/2             |
| AP3216HC | BRIGHT RED(GaP) | WATER CLEAR | 0.8                 | 1.2  | 120°             |

Note:

1. θ1/2 is the angle from optical centerline where the luminous intensity is 1/2 the optical centerline value.

## Electrical / Optical Characteristics at T<sub>A</sub>=25°C

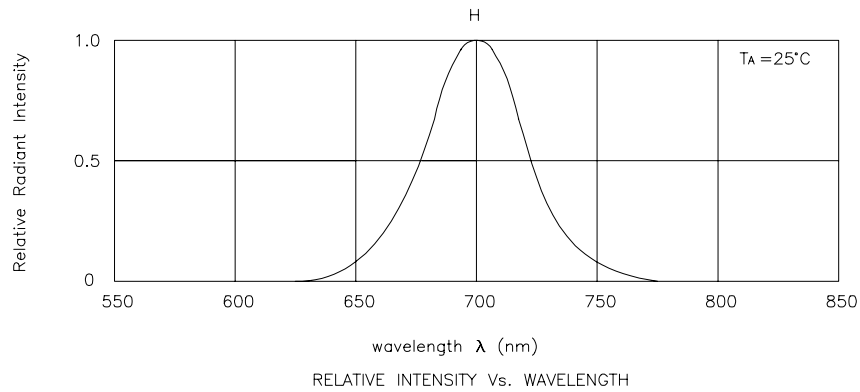
| Symbol                | Parameter                | Device     | Typ. | Max. | Units | Test Conditions               |
|-----------------------|--------------------------|------------|------|------|-------|-------------------------------|
| $\lambda_{peak}$      | Peak Wavelength          | Bright Red | 700  |      | nm    | I <sub>F</sub> = 20mA         |
| $\lambda_D$           | Dominate Wavelength      | Bright Red | 660  |      | nm    | I <sub>F</sub> = 20mA         |
| $\Delta\lambda_{1/2}$ | Spectral Line Half-width | Bright Red | 45   |      | nm    | I <sub>F</sub> = 20mA         |
| C                     | Capacitance              | Bright Red | 40   |      | pF    | V <sub>F</sub> = 0V; f = 1MHz |
| V <sub>F</sub>        | Forward Voltage          | Bright Red | 2.25 | 2.5  | V     | I <sub>F</sub> = 20mA         |
| I <sub>R</sub>        | Reverse Current          | Bright Red |      | 10   | uA    | V <sub>R</sub> = 5V           |

## Absolute Maximum Ratings at T<sub>A</sub>=25°C

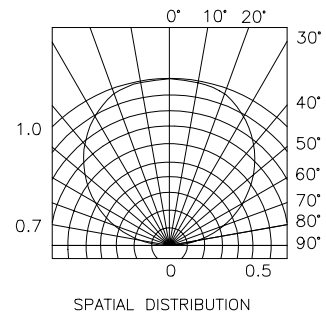
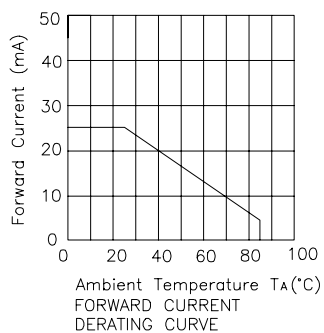
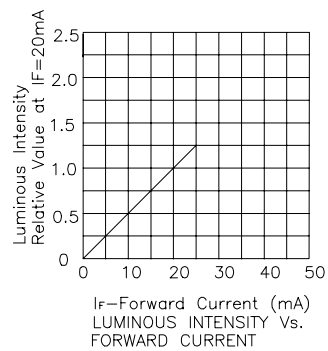
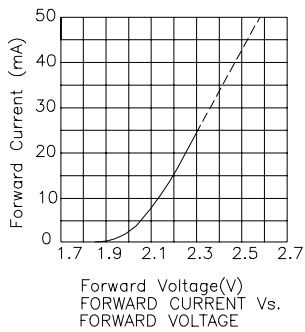
| Parameter                     | Bright Red     | Units |
|-------------------------------|----------------|-------|
| Power dissipation             | 120            | mW    |
| DC Forward Current            | 25             | mA    |
| Peak Forward Current [1]      | 130            | mA    |
| Reverse Voltage               | 5              | V     |
| Operating/Storage Temperature | -40°C To +85°C |       |

Note:

1. 1/10 Duty Cycle, 0.1ms Pulse Width.

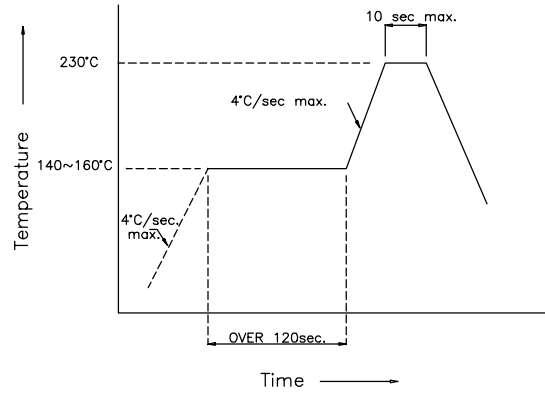


## Bright Red AP3216HC

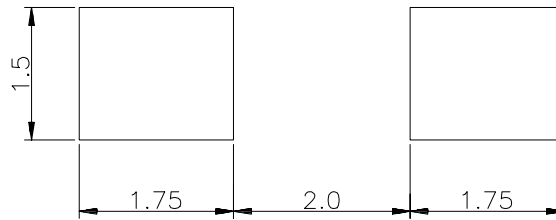


## AP3216HC SMT Reflow Soldering Instructions

Number of reflow process shall be less than 2 times and cooling process to normal temperature is required between first and second soldering process."



## Recommended Soldering Pattern (Units : mm)



## Tape Specifications (Units : mm)

