

Product Brief ~3-axis E-compass~

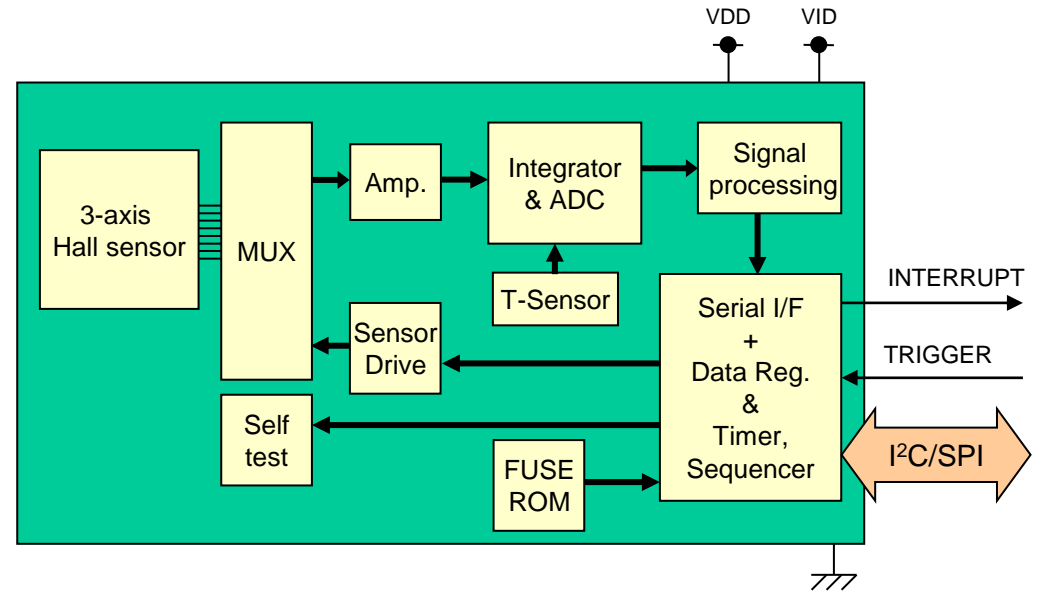


AK09912C

Low-power, high performance

- 3-axis magnetometer device suitable for compass application
- Built-in A to D Converter for magnetometer data out
- 16-bit data out for each 3 axis magnetic components
- Operation modes:
 - Power-down, Single measurement, Continuous measurement, External trigger measurement, Self test and Fuse ROM access.
- DRDY function for measurement data ready
- Magnetic sensor overflow monitor function
- Built-in oscillator for internal clock source
- Power on Reset circuit
- Self test function with built-in internal magnetic source
- Built-in Noise Suppression Filter (NSF)
- Built-in temperature sensor

2013/Oct.



Operating temperature	-30° C to +85° C
Supply voltage	VDD: +1.7V to +3.6V VID: +1.65V to VDD
Current consumption	Stand-by 3uA Average@100Hz 1mA
Sensitivity	0.15uT/LSB
Measurement range	+/- 4900uT
Serial interface	I2C bus / 4-wire SPI
Package	14pin WL-CSP (BGA) 1.6 x 1.6 x 0.5mm