

**60**mm sq.

# San Ace 60W

25mm thick(WP type)



## General Specifications

- Material ..... Frame: Plastics (Flammability: UL94V-0),  
Impeller: Plastics (Flammability: UL94V-1)
- Expected Life ..... Refer to specifications (Indoor, L10:Survival rate:90% at 60°C ,  
rated voltage, and continuously run in a free air state)
- Lead Wire ..... ⊕red ⊖black (Sensor) yellow
- Storage Temperature ..... -30°C to +70°C (Non-condensing)

**60×60×25mm** (Mass : 110g) **IP 68** **WP**type

## Specifications

The following nos. **have pulse sensors and ribs**. For ribless, append "1" to the model no.

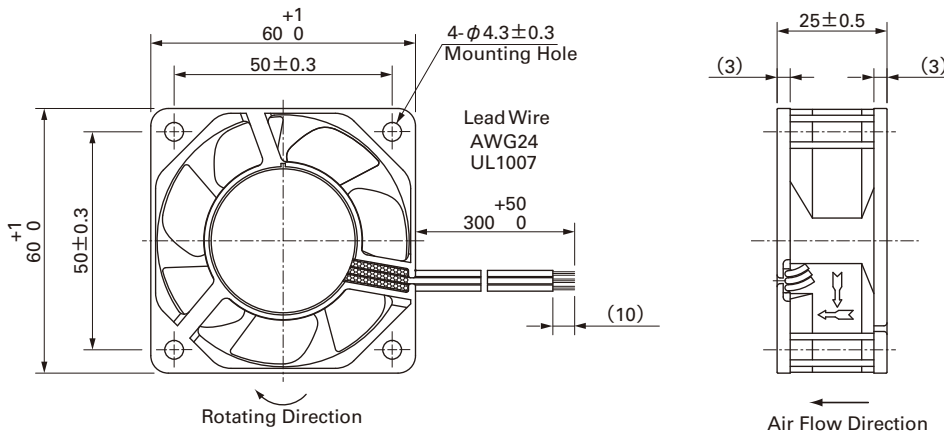
| Model No.   | Rated Voltage [V] | Operating Voltage Range [V] | Rated Current [A] | Rated Input [W] | Rated Speed [min <sup>-1</sup> ] | Max. Air Flow [m <sup>3</sup> /min] [CFM] | Max. Static Pressure [Pa] [inchH <sub>2</sub> O] | SPL [dB(A)] | Operating Temperature [°C] | Expected Life [h] |
|-------------|-------------------|-----------------------------|-------------------|-----------------|----------------------------------|---|--|-------------|----------------------------|-------------------|
| 9WP0612G401 | 12                | 10.2 to 13.2                | 0.21              | 2.52            | 5,600                            | 0.78 27.5                                 | 87.3 0.351                                       | 39          | -20 to +60                 | 40,000            |
| 9WP0612D401 |                   |                             | 0.21              | 2.52            | 5,150                            | 0.72 25                                   | 73.5 0.30  | 37          |                            |                   |
| 9WP0612H401 |                   | 10.2 to 13.8                | 0.11              | 1.32            | 3,800                            | 0.53 18.7                                 | 40.2 0.161                                       | 28          |                            |                   |
| 9WP0624G401 | 24                | 20.4 to 27.6                | 0.13              | 3.12            | 5,600                            | 0.78 27.5                                 | 87.3 0.351                                       | 39          | -20 to +60                 | 40,000            |
| 9WP0624D401 |                   |                             | 0.06              | 1.44            | 3,800                            | 0.53 18.7                                 | 40.2 0.161                                       | 28          |                            |                   |
| 9WP0648H401 |                   |                             | 48                | 40 to 53        | 0.04                             | 1.92                                      | 3,800  | 0.53 18.7   |                            |                   |

Available options: ⇒ **Without Sensor**

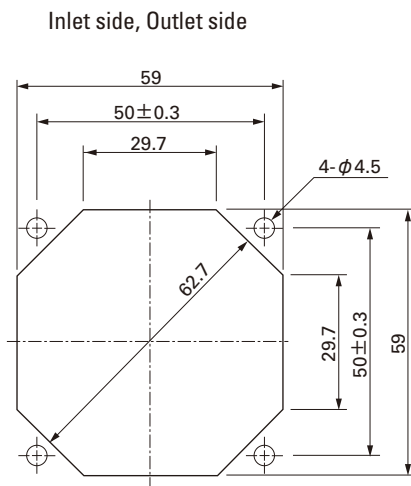
Please inquire as the availability of these functions depend on the model. ⇒ **Lock Sensor** **PWM Control**

## Dimensions (Unit : mm)

(With ribs)



## Reference dimension of mounting holes and vent opening (Unit : mm)



**Options (Unit : mm)**

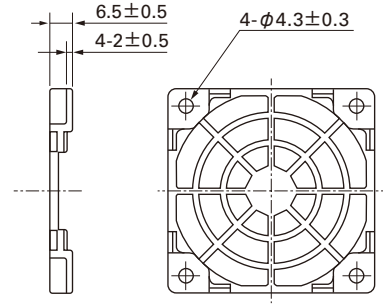
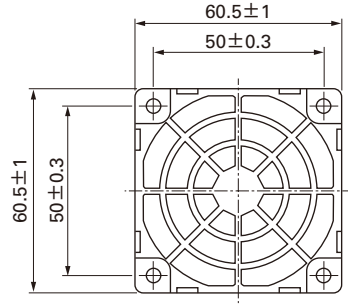
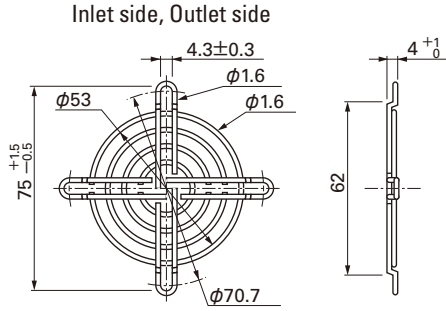
**Finger guards**

Model : 109-139E Surface treatment : Nickel-chrome plating (silver)  
 : 109-139H : Cation electropainting (black)

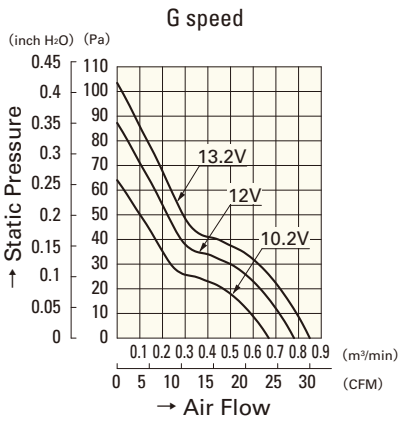
Color

**Resin Finger guards**

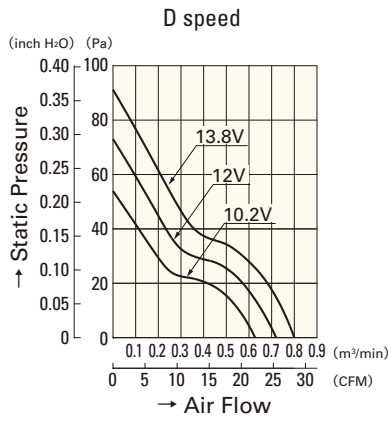
Model : 109-1003G



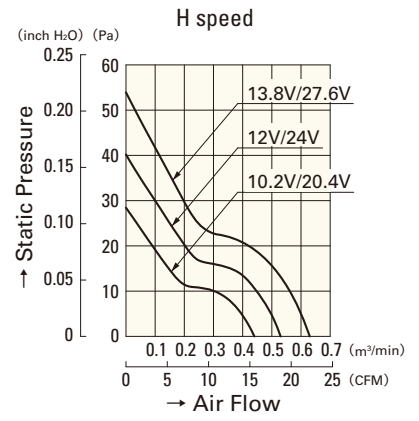
**Air Flow - Static Pressure Characteristics**



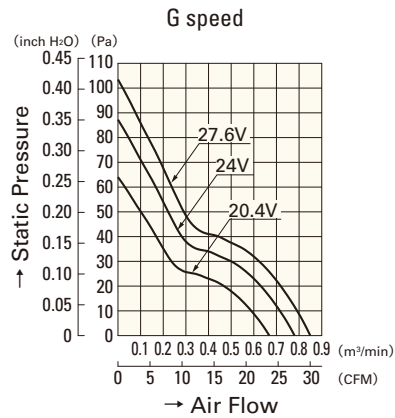
**9WP0612G401**



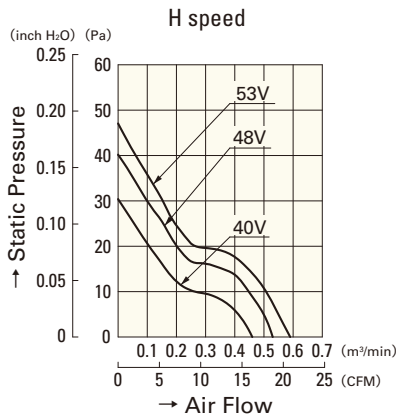
**9WP0612D401**



**9WP0612H401**  
**9WP0624H401**



**9WP0624G401**



**9WP0648H401**