

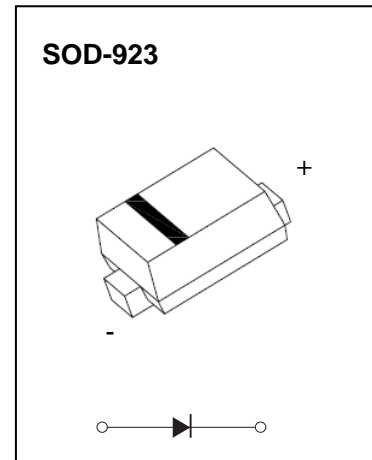
## SOD-923 Plastic-Encapsulate Diodes

### 1SS400CS High Speed Switching Diode

#### FEATURES

- Small surface mounting type
- High speed
- High reliability with high surge current handling capability

#### MARKING:7



#### Maximum Ratings and Electrical Characteristics, Single Diode @Ta=25°C

Parameter	Symbol	Limit	Unit
Peak reverse voltage	$V_{RM}$	90	V
DC reverse voltage	$V_R$	80	V
Peak forward current	$I_{FM}$	225	mA
Mean rectifying current	$I_O$	100	mA
Surge current (t=1s)	$I_{surge}$	500	mA
Junction temperature	$T_j$	150	°C
Storage temperature	$T_{stg}$	-55~+150	°C

#### Electrical Ratings @Ta=25°C

Parameter	Symbol	Min	Typ	Max	Unit	Conditions
Forward voltage	$V_F$			1.2	V	$I_F=100mA$
Reverse current	$I_R$			0.1	μA	$V_R=80V$
Capacitance between terminals	$C_T$			3.0	pF	$V_R=0.5V, f=1MHz$
Reverse recovery time	$t_{rr}$			4	ns	$V_R=6V, I_F=10mA, R_L=100\Omega$



# Typical Characteristics

# 1SS400CS

