

60mm sq.

San Ace 60

15mm thick (GA type), 15mm thick
 20mm thick (GA type), 20mm thick
 25mm thick (S type), 25mm thick (G type)
25mm thick, 25mm thick (San Cooler)
 38mm thick (GA type), 38mm thick (GV type)
 38mm thick (G type)



General Specifications

- Material Frame: Plastics (Flammability: UL94V-0),
Impeller: Plastics (Flammability: UL94V-1)
- Expected Life Refer to specifications (L10:Survival rate:90% at 60°C ,
rated voltage, and continuously run in a free air state)
- Lead Wire ⊕red ⊖black or blue (Sensor) yellow
- Storage Temperature -30°C to +70°C (Non-condensing)

60×60×25mm [Mass : 90g]

Specifications

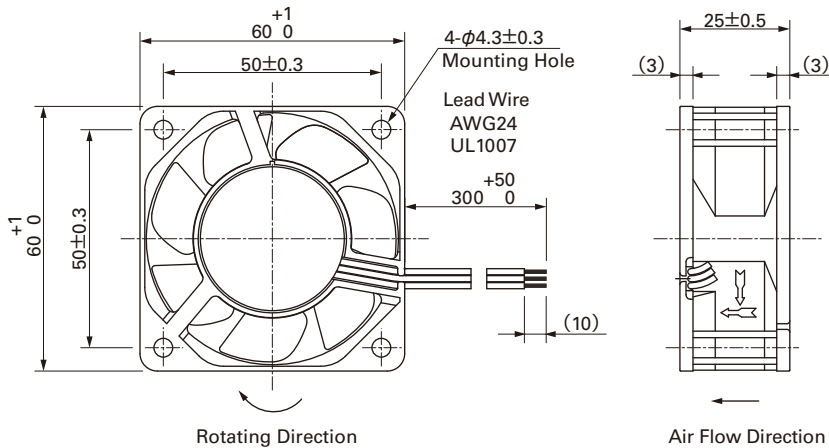
The following nos. **have pulse sensors and ribs**. For ribless, append "1" to the model no.

| Model No. | Rated Voltage [V] | Operating Voltage Range [V] | Rated Current [A] | Rated Input [W] | Rated Speed [min ⁻¹] | Max. Air Flow [m ³ /min] [CFM] | Max. Static Pressure [Pa] [inchH ₂ O] | SPL [dB(A)] | Operating Temperature [°C] | Expected Life [h] | | | | | |
|---------------------|-------------------|-----------------------------|-------------------|-----------------|----------------------------------|---|--|-------------|----------------------------|-------------------|------------|--------|--------|------------|--------|
| 109R0605H401 | 5 | 4.5 to 5.5 | 0.34 | 1.70 | 3,800 | 0.53 | 18.7 | 40.2 | 0.161 | 28 | -20 to +70 | 60,000 | | | |
| 109R0605F401 | | | 0.20 | 1.00 | 3,200 | 0.44 | 15.5 | 29.4 | 0.118 | 24 | -20 to +60 | | | | |
| 109R0605M401 | | | 0.13 | 0.65 | 2,600 | 0.36 | 12.7 | 19.6 | 0.079 | 20 | -20 to +70 | | | | |
| 109R0612J401 | 12 | 10.8 to 13.2 | 0.47 | 5.64 | 7,600 | 1.06 | 37.1 | 155.0 | 0.622 | 44 | -20 to +60 | 40,000 | | | |
| 109R0612G401 | | | 0.24 | 2.88 | 5,600 | 0.78 | 27.5 | 87.3 | 0.351 | 39 | -20 to +70 | | 60,000 | | |
| 109R0612D401 | | 10.2 to 13.8 | 0.21 | 2.52 | 5,150 | 0.72 | 25.4 | 73.5 | 0.295 | 37 | | | | | |
| 109R0612S401 | | | 0.17 | 2.04 | 4,600 | 0.65 | 23.0 | 56.8 | 0.228 | 33 | | | | | |
| 109R0612H401 | | 6 to 13.8 | 0.11 | 1.32 | 3,800 | 0.53 | 18.7 | 40.1 | 0.161 | 28 | | | | | |
| 109R0612F401 | | | 0.09 | 1.08 | 3,200 | 0.44 | 15.5 | 29.4 | 0.118 | 24 | | | | | |
| 109R0612M401 | | 7 to 13.8 | 0.06 | 0.72 | 2,600 | 0.36 | 12.7 | 19.6 | 0.079 | 20 | | | | | |
| 109R0624J401 | | 24 | 21.6 to 26.4 | 0.24 | 5.76 | 7,600 | 1.06 | 37.1 | 155.0 | 0.622 | | 44 | | -20 to +60 | 40,000 |
| 109R0624G401 | | | 20.4 to 27.6 | 0.13 | 3.12 | 5,600 | 0.78 | 27.5 | 87.3 | 0.351 | | 39 | | | |
| 109R0624D401 | | | 12 to 27.6 | 0.12 | 2.88 | 5,150 | 0.72 | 25.4 | 73.5 | 0.295 | 37 | | | | |
| 109R0624S401 | 0.08 | | | 1.92 | 4,600 | 0.65 | 23.0 | 56.8 | 0.228 | 33 | | | | | |
| 109R0624H401 | 0.06 | | | 1.44 | 3,800 | 0.53 | 18.7 | 40.2 | 0.161 | 28 | | | | | |
| 109R0624F401 | 0.05 | | | 1.20 | 3,200 | 0.44 | 15.5 | 29.4 | 0.118 | 24 | | | | | |
| 109R0624M401 | 0.04 | | | 0.96 | 2,600 | 0.36 | 12.7 | 19.6 | 0.079 | 20 | | | | | |
| 109R0648J401 | 48 | 43.2 to 52.8 | 0.12 | 5.76 | 7,600 | 1.06 | 37.1 | 155.0 | 0.622 | 44 | -20 to +60 | 40,000 | | | |
| 109R0648G401 | | 43 to 53 | 0.07 | 3.36 | 5,600 | 0.78 | 27.5 | 87.3 | 0.351 | 39 | | | | | |
| 109R0648H401 | | 40 to 53 | 0.04 | 1.92 | 3,800 | 0.53 | 18.7 | 40.2 | 0.161 | 28 | -20 to +70 | | 60,000 | | |

Available options: ⇒ **Without Sensor**

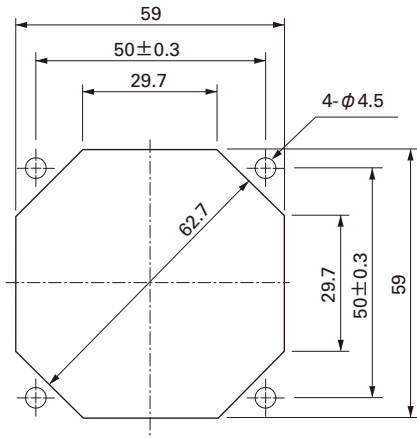
Please inquire as the availability of these functions depend on the model. ⇒ **Lock Sensor** **Low speed Sensor** **PWM Control**

Dimensions (Unit : mm) (With ribs)



Reference dimension of mounting holes and vent opening (Unit : mm)

Inlet side, Outlet side

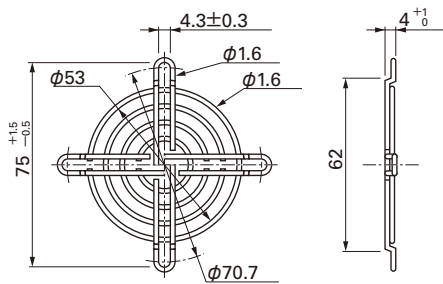


Options (Unit : mm)

Finger guards

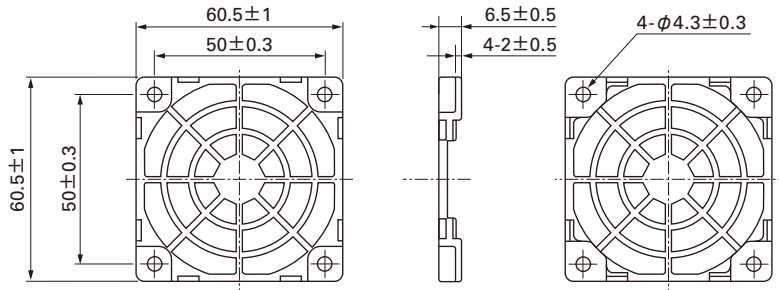
Model : 109-139E Surface treatment : Nickel-chrome plating (silver) Color : Nickel-chrome plating (silver)
 : 109-139H : Cation electropainting (black)

Inlet side, Outlet side



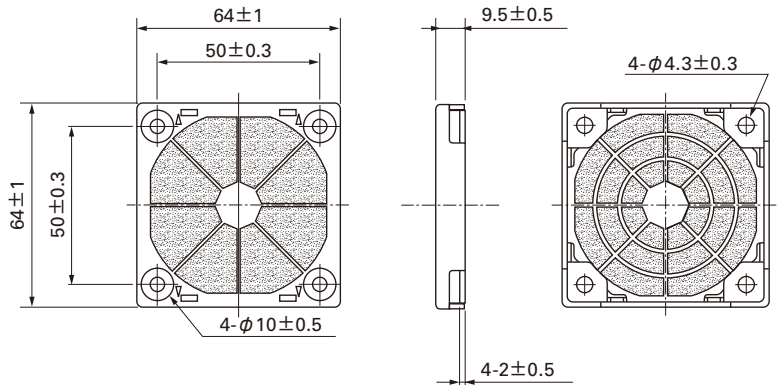
Resin finger guards

Model : 109-1003G



Resin filter kits

Model : 109-1003F13 (13PPI), 109-1003F20 (20PPI)
 : 109-1003F30 (30PPI), 109-1003F40 (40PPI)

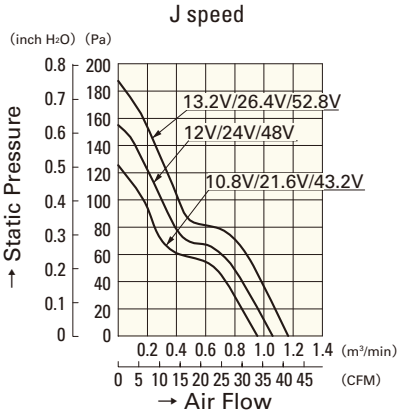


60mm sq.

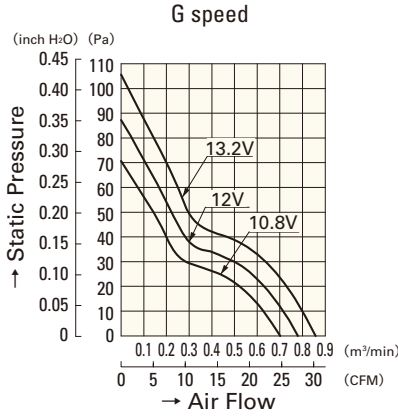
San Ace 60

60×60×25mm [Mass : 90g]

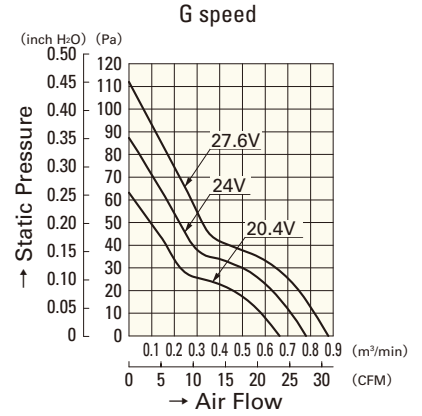
Air Flow - Static Pressure Characteristics



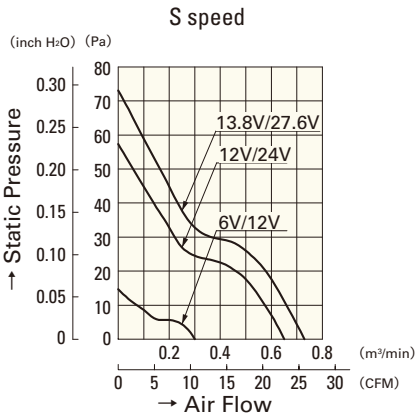
109R0612J401
109R0624J401
109R0648J401



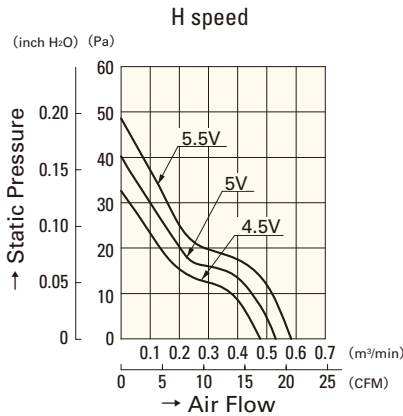
109R0612G401



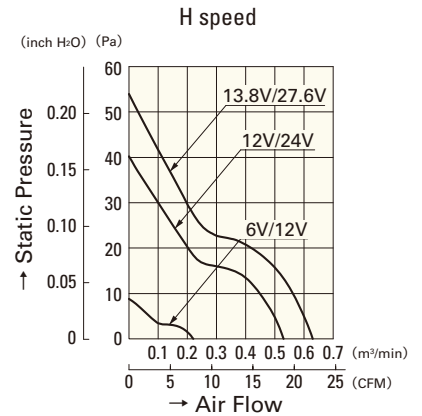
109R0624G401



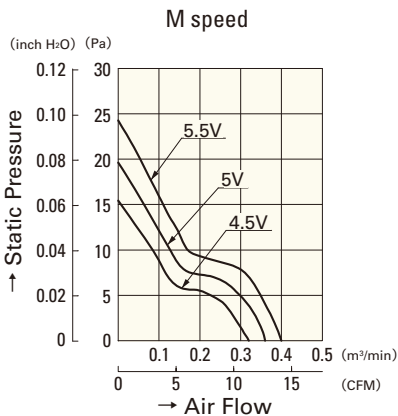
109R0612S401
109R0624S401



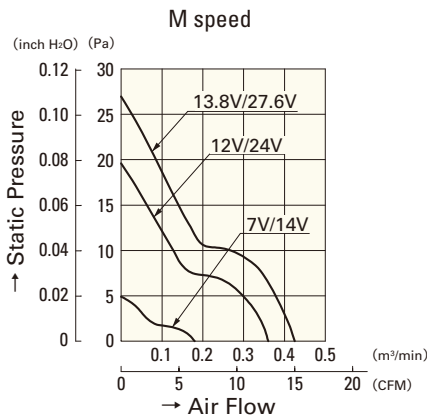
109R0605H401



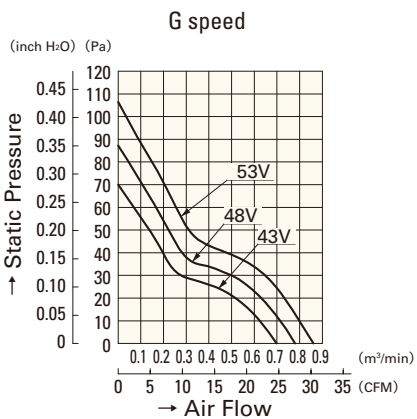
109R0612H401
109R0624H401



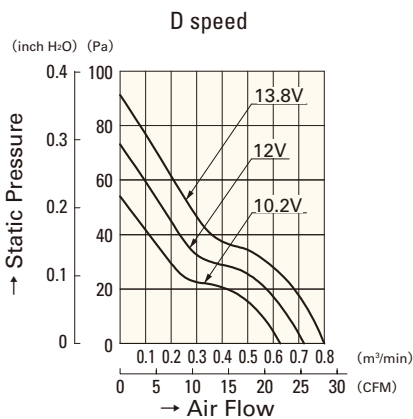
109R0605M401



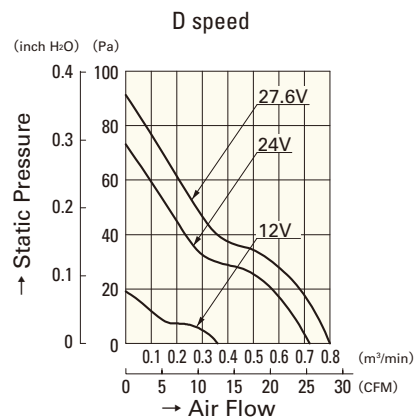
109R0612M401
109R0624M401



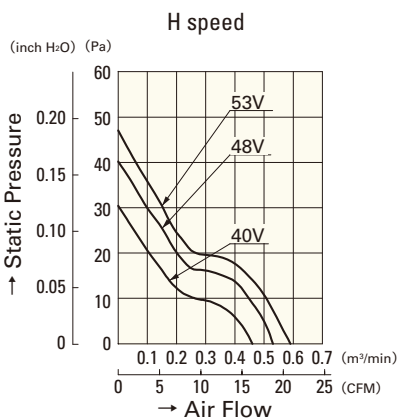
109R0648G401



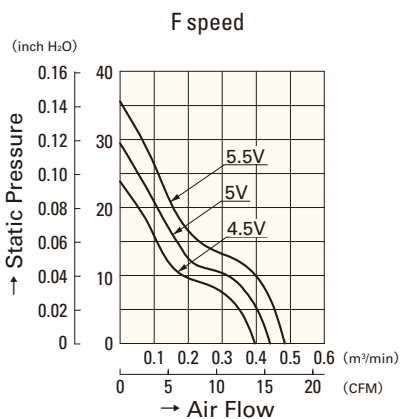
109R0612D401



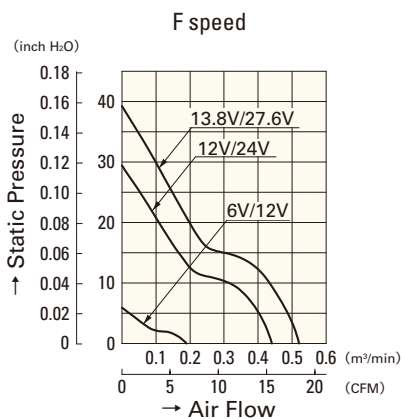
109R0624D401



109R0648H401



109R0605F401



109R0612F401

109R0624F401