

**40**mm sq.

# San Ace 40

10mm thick, 15mm thick (GA type), 15mm thick, 20mm thick (GA type), 20mm thick, 28mm thick (GA type), 28mm thick (GE type), 28mm thick (GV type), 28mm thick



## General Specifications

- Material ..... Frame: Plastics (Flammability: UL94V-0), Impeller: Plastics (Flammability: UL94V-1)
- Expected Life ..... Refer to specifications (L10:Survival rate:90% at 60°C , rated voltage, and continuously run in a free air state)
- Lead Wire ..... ⊕red ⊖black or blue (Sensor) yellow
- Storage Temperature ..... -30°C to +70°C (Non-condensing)

**40×40×15**mm (Mass : 32g)

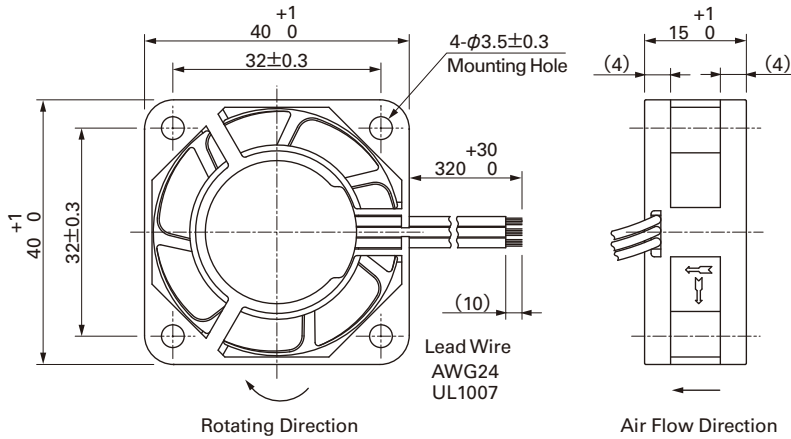
## Specifications

The following nos. **have pulse sensors and ribs.**

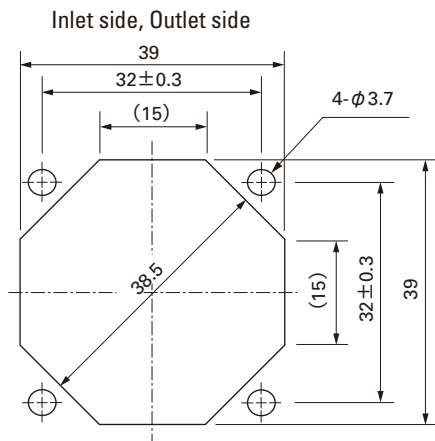
Model No.	Rated Voltage [V]	Operating Voltage Range [V]	Rated Current [A]	Rated Input [W]	Rated Speed [min <sup>-1</sup> ]	Max. Air Flow [m <sup>3</sup> /min] [CFM]	Max. Static Pressure [Pa] [inchH <sub>2</sub> O]	SPL [dB(A)]	Operating Temperature [°C]	Expected Life [h]	
109P0405H701	5	4.5 to 5.5	0.28	1.4	7,700	0.18 6.4	75.5 0.303	28	- 20 to +60	60,000	
109P0405M701			0.21	1.05	6,500	0.15 5.3	53 0.213	24			
109P0412R701	12	7 to 13.8	0.13	1.56	9,700	0.227 8.0	111.9 0.449	34		- 20 to +70	40,000
109P0412S701			0.18	2.16	8,600	0.2 7.06	92.1 0.369	32			
109P0412H701			0.13	1.56	7,700	0.18 6.4	75.5 0.303	28			
109P0412M701			0.095	1.14	6,500	0.15 5.3	53 0.213	24			
109P0424H701	24	20.4 to 27.6	0.08	1.92	7,700	0.18 6.4	75.5 0.303	28	60,000		

- Available options: ⇒ **Without Sensor**
- Please inquire as the availability of these functions depend on the model. ⇒ **Lock Sensor**

## Dimensions (Unit : mm)



## Reference dimension of mounting holes and vent opening (Unit : mm)

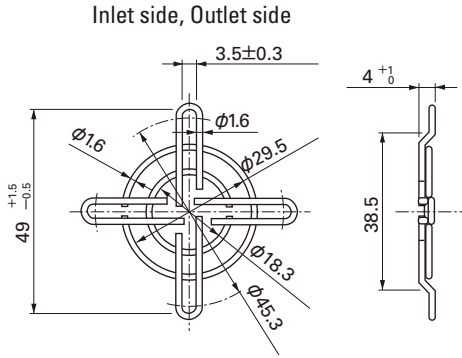


**Options (Unit : mm)**

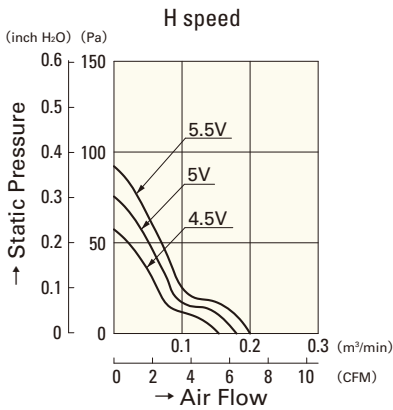
**Finger guards**

Model : 109-059 Surface treatment : Nickel-chrome plating (silver) Color

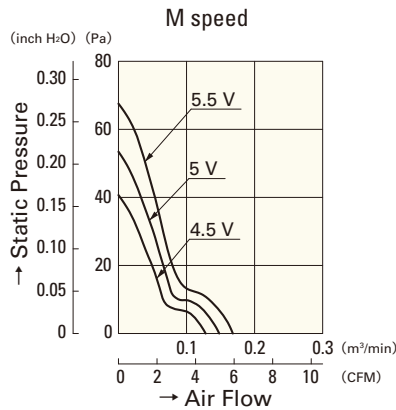
Color



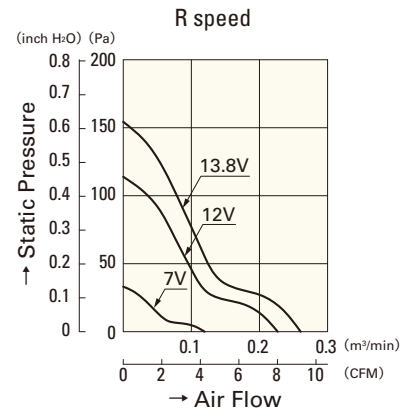
**Air Flow - Static Pressure Characteristics**



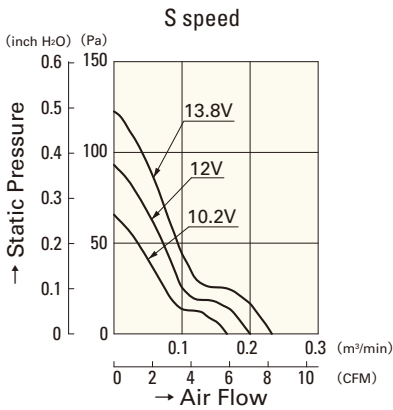
**109P0405H701**



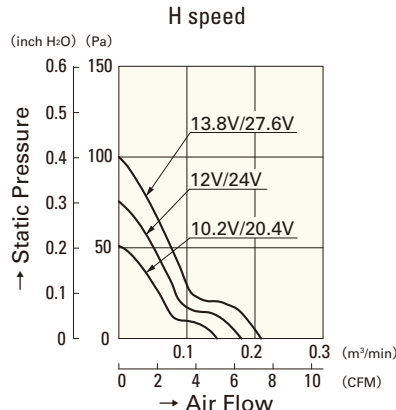
**109P0405M701**



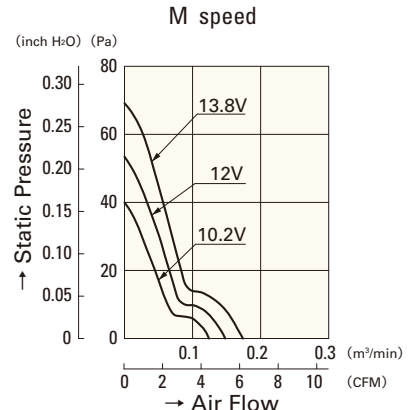
**109P0412R701**



**109P0412S701**



**109P0412H701**  
**109P0424H701**



**109P0412M701**