

MICRO SWITCH

FREEPORT ILLINOIS U S A
A DIVISION OF HONEYWELL
FED. MFG. CODE 91929

SWITCH-TOGGLE

CATALOG LISTING
102TL1-10 SERIES
CHART 1

MILITARY
STANDARD
NUMBER

CATALOG
LISTING

AVAILABLE
LOCKING
COMBINATIONS
FOR CONFIGURATION
SEE LETTERED
DETAILS

STYLE
NUMBER

CURRENT CAPACITY (AMPS)

RESISTIVE LOAD					LAMP LOAD		INDUCTIVE LOAD	
DC VOLTS		AC VOLTS			28 VDC	125 VAC	28 VDC	125 VAC
28	125	250	125	250	7	4	15	15

THIS DRAWING COVERS A PROPRIETARY ITEM AND IS THE PROPERTY OF MICRO SWITCH. A DIVISION OF HONEYWELL. THIS DRAWING IS NOT TO BE COPIED OR USED WITHOUT THE APPROVAL OF MICRO SWITCH.

MS27723-1

102TL1-10

NONE

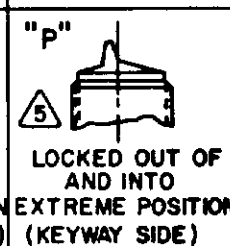
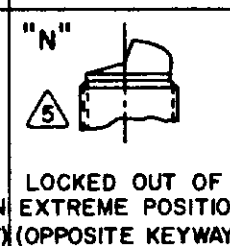
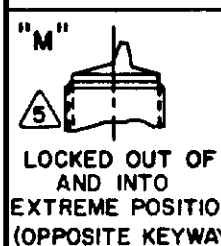
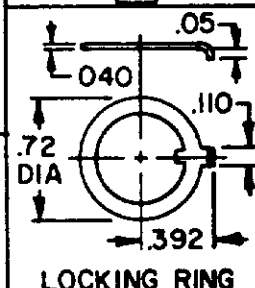
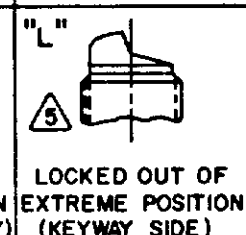
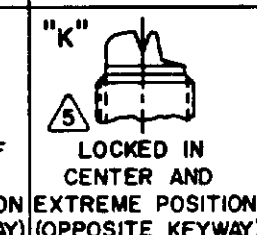
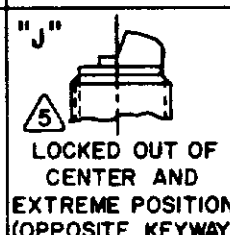
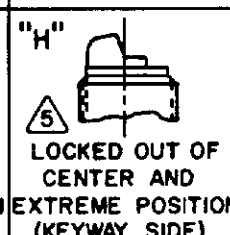
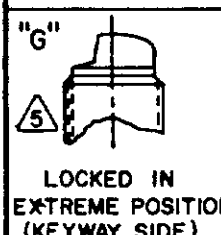
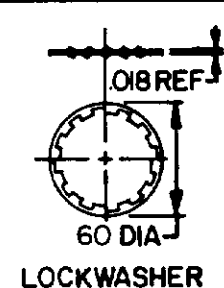
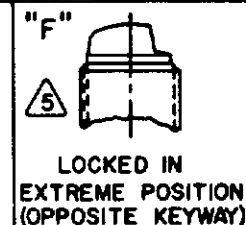
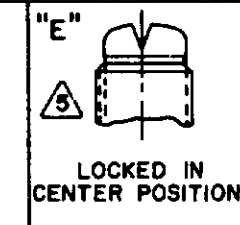
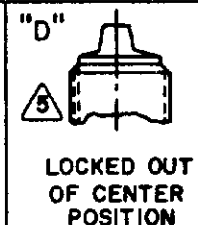
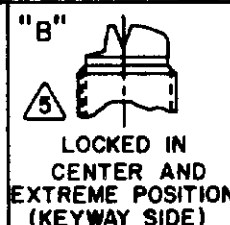
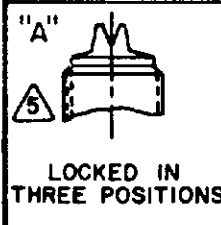
1

MS27782-1

102TL1-10

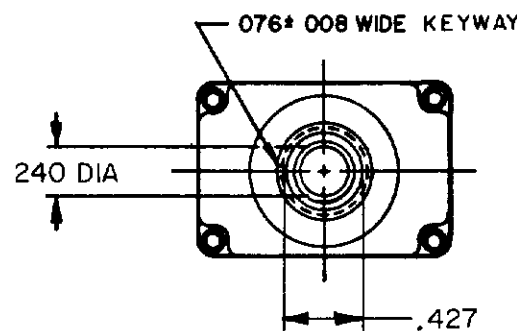
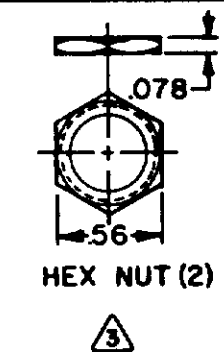
A,B,D,E,F,G,H,J,K,L,M,N,P

2

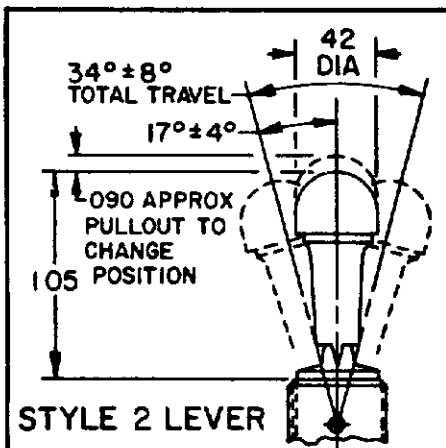
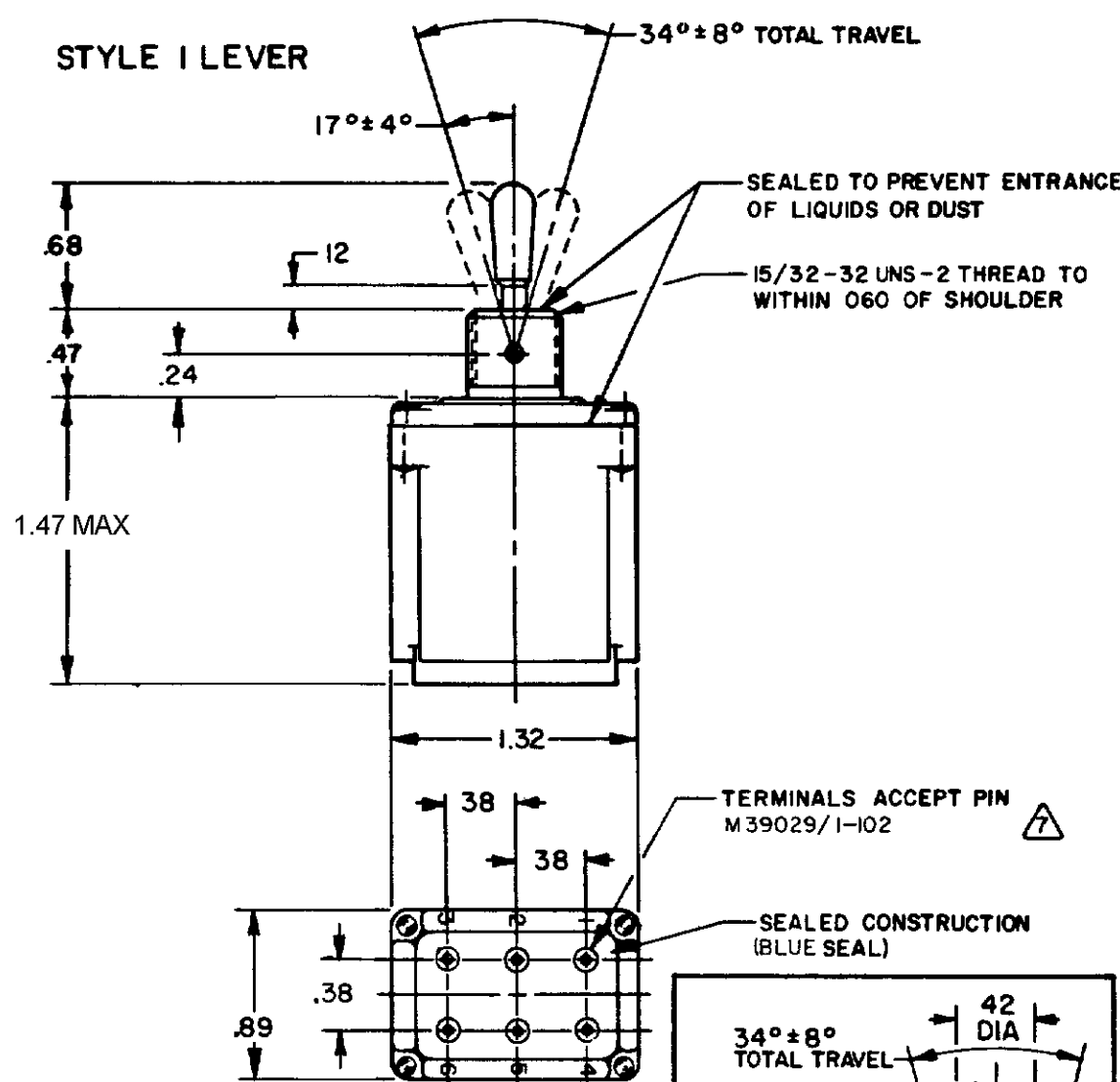


CIRCUIT MADE WITH TOGGLE LEVER IN

KEYWAY SIDE	CENTER	OPPOSITE KEYWAY
MAINTAINED POSITION	MAINTAINED POSITION	MAINTAINED POSITION



STYLE 1 LEVER



CATALOG LISTING
M102TL1-10 SERIES CHART 1
 PAGE 1 OF 1
 ISSUE 4
 REVISIONS
 A 1092297 JAK 13 FEB 98
 B 93999 CO 7 JULY 99
 C 201413 CSL 4 OCT 00
 CHECK 23 JUN 94
 KAG
 JJO 9 JUN 94
 RASTER DRAWN

SCALE FULL
DO NOT SCALE PRINT
UNLESS OTHERWISE NOTED
DIMENSIONS ARE IN INCHES
TOLERANCES ARE
ONE PLACE (0) ± 0.020
TWO PLACE (.00) ± 0.015
THREE PLACE (.000) ± 0.005
ANGLES ± 0.005
WEIGHT .135 LB MAX

NOTES

- SWITCHES ARE CAPABLE OF WITHSTANDING A TEMPERATURE OF 160°F CONTINUOUSLY AT FULL RATED LOAD
- CIRCUIT DESIGNATION, MICRO SWITCH CATALOG LISTING, DATE CODE AND MS NUMBER IDENTIFIED ON SIDE OF SWITCH
- FURNISHED UNASSEMBLED
- UNUSED TERMINAL HOLES MAY BE SEALED WITH PLUGS M83723/28-16
- KEYWAY SHOWN ON LEFT SIDE
- SUFFIX LETTER MUST BE ADDED FOR DESIRED TYPE OF TOGGLE LOCKING. SEE CHART FOR AVAILABLE LOCKING COMBINATIONS
- THE SEALING GROMMET SHALL SEAL ON A SMOOTH WIRE INSULATION OF .068 TO .103 DIAMETERS (14-16 GAGE)