



C Female Bulkhead Connector Solder Attachment Solder Cup Terminal, .720 inch D Hole

TECHNICAL DATA SHEET

PE4240

C Female Bulkhead Connector Solder Attachment Solder Cup Terminal, .720 inch D Hole

Configuration

Connector	C Female
Connector Interface Type	Solder Cup
Cable Attachment Method (Shield/Contact)	Solder
Body Style	Straight
Mount Method	Bulkhead

Electrical Specifications

Impedance, Ohms	50
-----------------	----

Mechanical Specifications

Size

Length, in [mm]	1.094 [27.79]
Width/Dia., in [mm]	1 [25]
Weight, lbs [g]	0.082 [37.19]

Connector

Type	C Female
Contact Material and Plating	Silver
Body Material and Plating	Nickel
Dielectric Type	PTFE

Compliance Certifications (visit www.Pasternack.com for current document)

RoHS Compliant	Yes
----------------	-----

Plotted and Other Data

Notes:	Values at 25 °C, sea level
--------	----------------------------

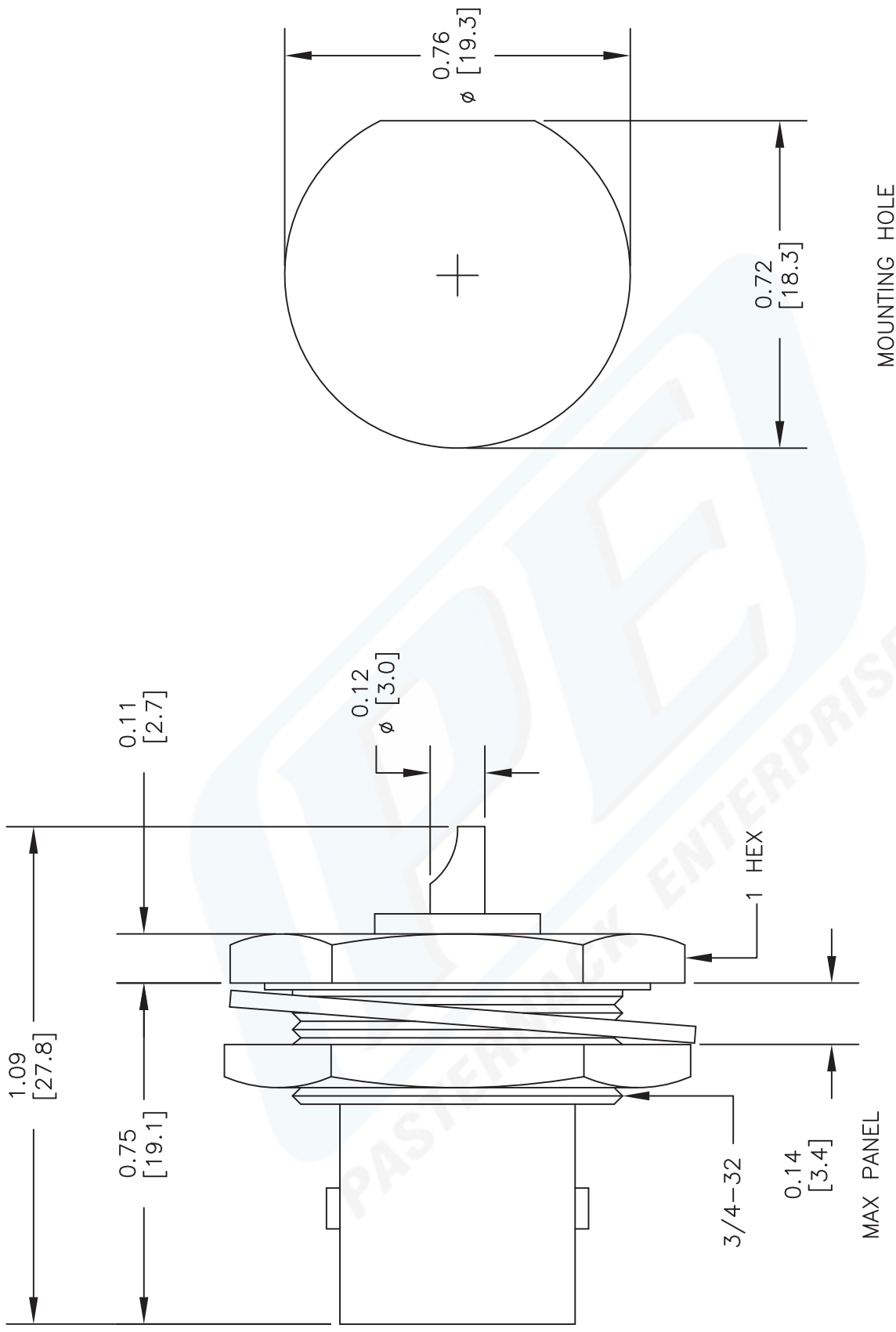
URL: <http://www.pasternack.com/c-female-standard-solder-cup-terminal-connector-pe4240-p.aspx>

C Female Bulkhead Connector Solder Attachment Solder Cup Terminal, .720 inch D Hole from Pasternack Enterprises has same day shipment for domestic and International orders. We maintain 99% availability of the industry's broadest selection of RF, microwave and fiber optic products.

The information contained in this document is accurate to the best of our knowledge and representative of the part described herein. It may be necessary to make modifications to the part and/or the documentation of the part, in order to implement improvements. Pasternack reserves the right to make such changes as required. Unless otherwise stated, all specifications are nominal.

PE4240 CAD Drawing

C Female Bulkhead Connector Solder Attachment Solder Cup Terminal, .720 inch D Hole



NOTES:
 1. UNLESS OTHERWISE SPECIFIED ALL DIMENSIONS ARE NOMINAL.
 2. ALL SPECIFICATIONS ARE SUBJECT TO CHANGE WITHOUT NOTICE AT ANY TIME.
 3. DIMENSIONS ARE IN INCHES [mm].
 4. FITS MIL-C-17 AND EQUIVALENT CABLES.

DWG TITLE
PE4240

PE PASTERNAK
 Pasternack Enterprises, Inc.
 P.O. Box 16759 | Irvine | CA | 92623
 Phone: (949) 261-1920 | Fax: (949) 261-7451
 Website: www.pasternack.com | E-Mail: sales@pasternack.com

REV. -	FSCM NO. 53919	CAD FILE 042309	SCALE N/A	SIZE A	147
--------	----------------	-----------------	-----------	--------	-----