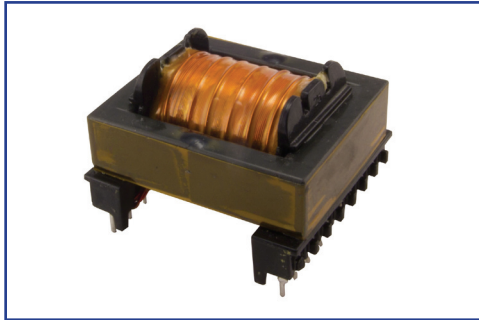


# HALF BRIDGE LLC RESONANT TRANSFORMER



**P6504**



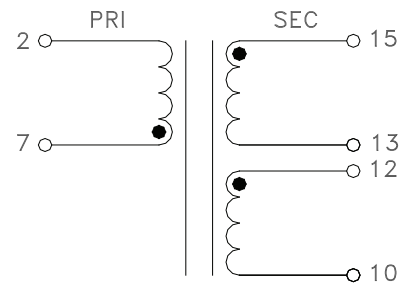
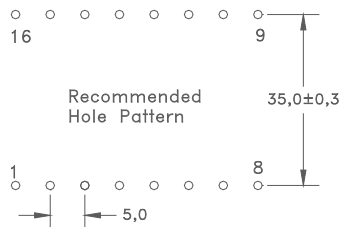
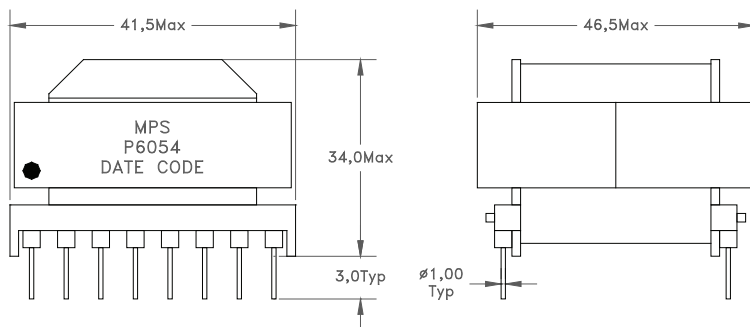
- Zero Voltage Switching (ZVS)
- High efficiency and low loss
- Isolation 2000Vrms, 1mA, 5 seconds (Pri to Sec)
- Operating Temperature -40°C to +100°C
- RoHS Compliant Product
- Custom Design Available

## ELECTRICAL PARAMETERS @ 25°C

Part Number	Power (W)	Suggest Fosc (KHz Typ)	Pri OCL ( $\mu\text{H} \pm 10\%$ )	Leakage Inductance ( $\mu\text{H} \text{ Typ}$ )	Turns Ratio $\pm 2\%$
P6504	300	125	350	80	6 : 1 : 1

**Note:**  
1. OCL and leakage measured @ 100KHz 0.1Vrms

## DIMENSIONS



Product performance is limited to specified parameters. Data is subject to change without prior notice.

**Dimensions**  
Unless otherwise specified, all tolerances are:  
inch: .XX :  $\pm 0.015$  .XXX :  $\pm 0.004$   
mm: X,X :  $\pm 0.38$  X,XX :  $\pm 0.10$

Tel: 310-325-1043  
Fax: 310-325-1044

www.mpsind.com  
sales@mpsind.com