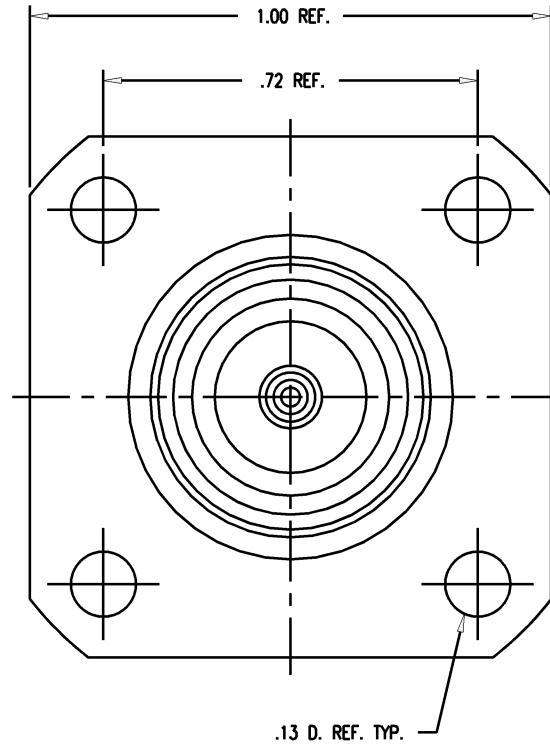
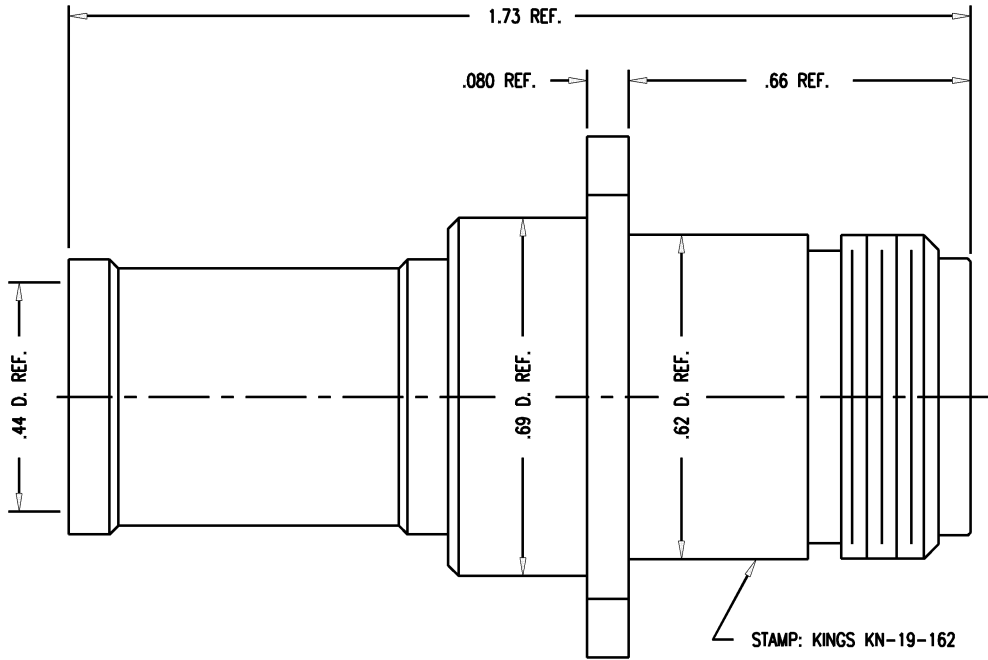


DASH NO.	M CODE	MADE FROM
----------	--------	-----------

# GSD



**NOTES:**

- FOR USE WITH RG-9B, 214/U & BA-6903 CABLE.
- FOR CABLING INSTRUCTIONS SEE CP-5402.
- FOR CABLE TRIMMING USE KTJ-150 & KTD-138.
- FOR CRIMPING USE DIE KTH-1079.
- K-GRIP SLEEVE (N-59-140-6-M06) & CENTER CONTACT (1-534-85MA9) TO BE SUPPLIED UNASSEMBLED.
- MARK PACKAGE: KINGS KN-19-162  
YRWK (DATE CODE)
- MATERIALS:  
INSULATORS: TEFLON, ASTM-D-1457  
K-GRIP SLEEVE: COM. BRONZE TUBE, ALLOY 220  
CENTER CONTACT: BER. COP., ASTM-B-196  
ALL OTHER PARTS: BRASS, QQ-B-626
- FINISHES:  
CENTER CONTACT: GOLD PLT. PER MIL-G-45204  
ALL OTHER METAL PARTS: KINGS TARNISH RESISTANT FINISH (TR-5)
- ELECTRICAL CHARACTERISTICS:  
NOMINAL IMPEDANCE: 50 OHMS  
VOLTAGE RATING: 1000 VRMS  
FREQUENCY RANGE: DC TO 11 GHz

KN-19-162

**REVISIONS**

ISSUE	CHANGES
3	CN 15700 C MJB 12/20/76
4	CN 29606 D AMD 02/18/88
5	CN 31044 C MZB 08/08/89
6	CN 38664 C BDH 09/25/02

SCALE 4:1

APPROX SURFACE AREA

USED ON

REF:

N PANEL JACK

DRAWN	JCA	DATE	11/02/90
DESIGN	MJB	DATE	11/02/90
APPR.		DATE	

**KINGS**

ELECTRONICS CO., INC.  
ROCK HILL, SOUTH CAROLINA 29730

# GSD

KN-19-162