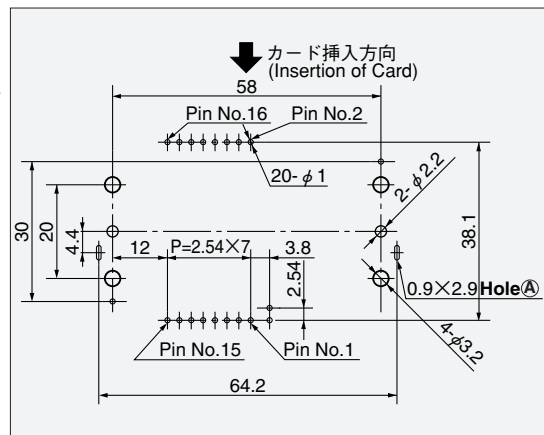
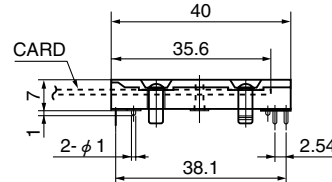
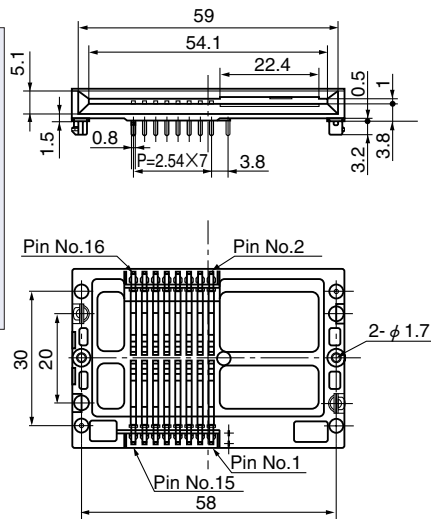


定 格 Rating	接触抵抗 Contact Resistance	絶縁抵抗 Insulation Resistance	絶縁耐力 Dielectric Strength	挿 抜 力 Insertion & Extraction force	準拠規格 Conforming	挿抜寿命 Durability
0.5 A 30 V DC max.	80 mΩ Max.	1,000 MΩ min. at 500 V DC	500 V AC for 1 minute	Insertion 0.6 N to 5.9 N Extraction 0.3 N to 3.9 N	ISO 7816 / 1 to 3 JIS X 6303	10,000 cycles

### CCD8072



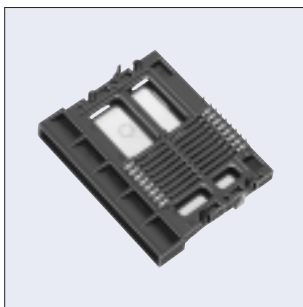
樹脂カバータイプ  
Plastic Cover Type



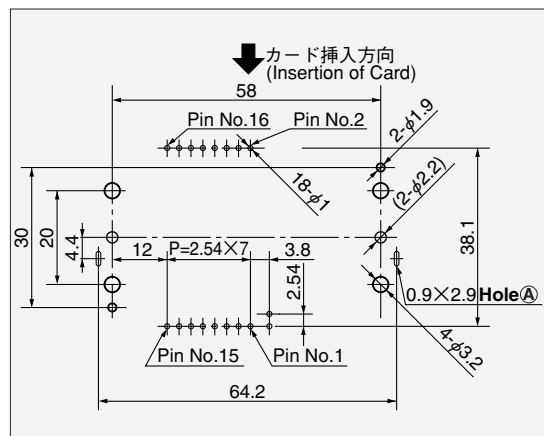
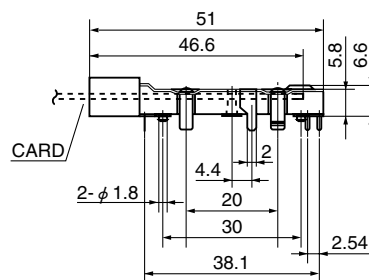
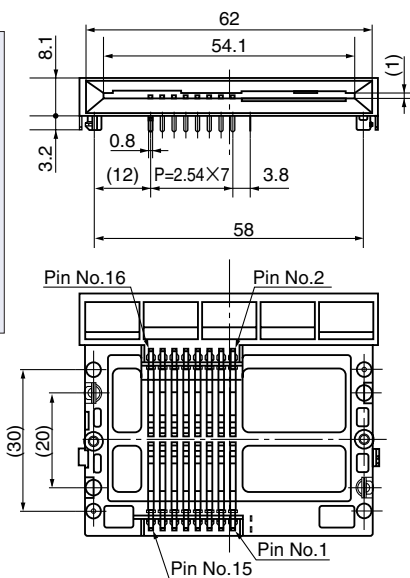
Hole Layout  
(Bottom View)

樹脂カバータイプ Plastic Cover Type	Hole (A)	金属カバータイプ Metal Cover Type	Hole (A)	Number of Contacts	Pin No.	Remarks
CCD8072-010019	Without	CCD8074-010019	With	8	1 to 8	ISO
CCD8072-010029	Without	CCD8074-010029	With	8	9 to 16	CP8
CCD8072-010039	Without	CCD8074-010039	With	16	1 to 16	ISO+CP8

### CCD8084



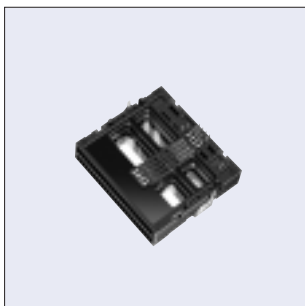
金属カバータイプ  
Metal Cover Type



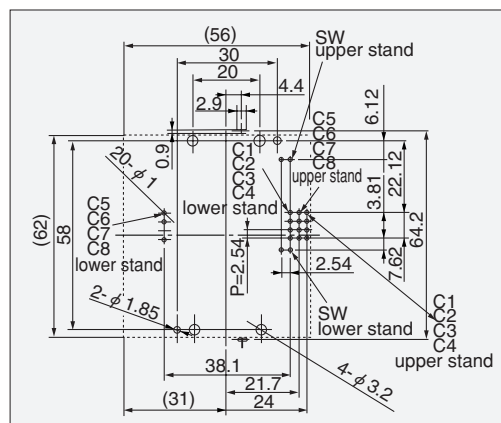
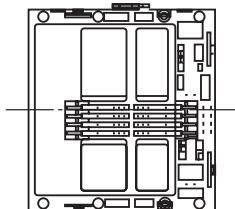
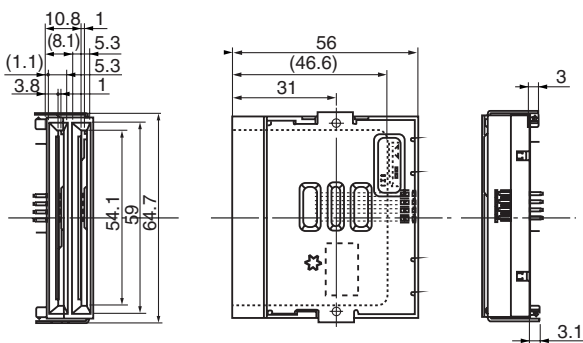
Hole Layout  
(Bottom View)

樹脂カバータイプ Plastic Cover Type	Hole (A)	金属カバータイプ Metal Cover Type	Hole (A)	Number of Contacts	Pin No.	Remarks
CCD8082-010019	Without	CCD8084-010019	With	8	1 to 8	ISO
CCD8082-010029	Without	CCD8084-010029	With	8	9 to 16	CP8
CCD8082-010039	Without	CCD8084-010039	With	16	1 to 16	ISO+CP8

### CCD8065



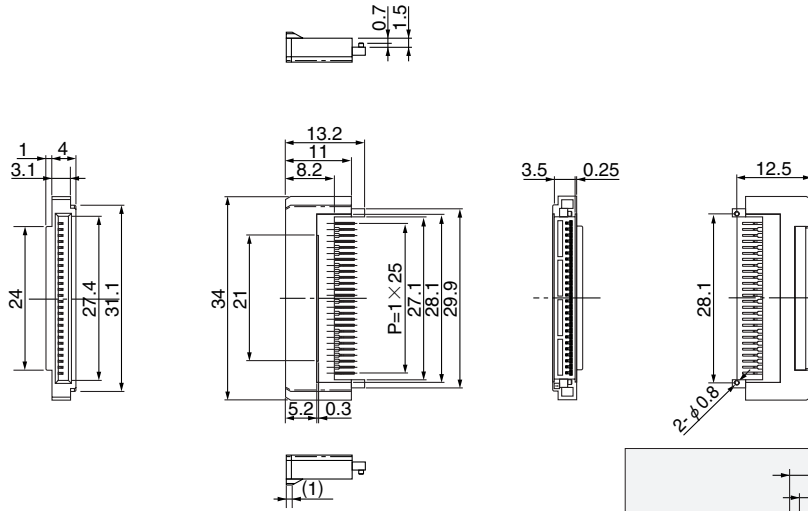
金属カバー、カード2枚挿入タイプ  
2 cards insertion type with metal cover



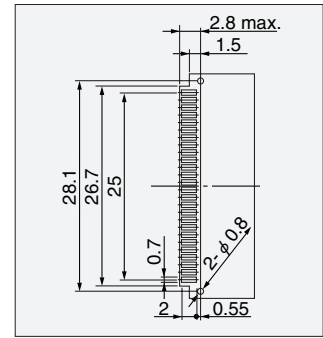
Land Layout  
(Top View)

定格 Rating	0.5 A max. per contact
接触抵抗 Contact Resistance	80 mΩ max.
絶縁抵抗 Insulation Resistance	1,000 MΩ min. at 500 V DC
挿抜力 Insertion & Extraction force	Insertion 0.6 to 5.9 N Extraction 0.3 to 3.9 N
挿抜寿命 Durability	10,000 cycles
Remarks	ISO

### CCD3015



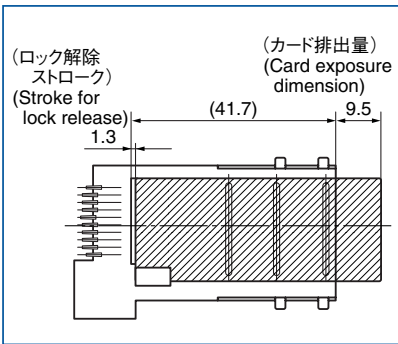
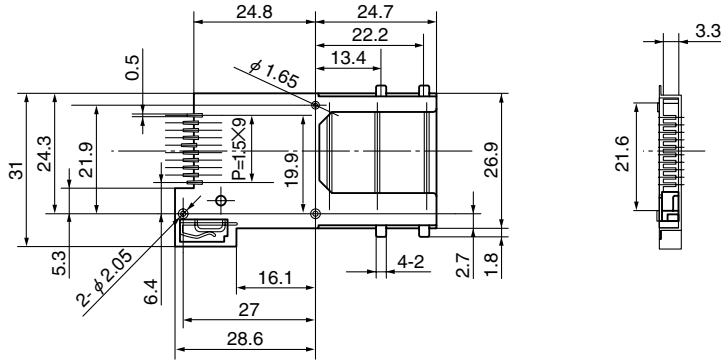
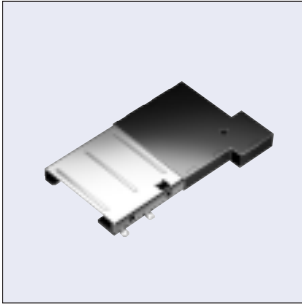
定格 Rating	0.75A per contact
接触抵抗 Contact Resistance	Initial 40mΩ After Test 55mΩ
挿抜力 Insertion & Extraction force	Insertion 39 N max. Extraction 3.7 N to 18.5 N
挿抜寿命 Durability	10,000 cycles



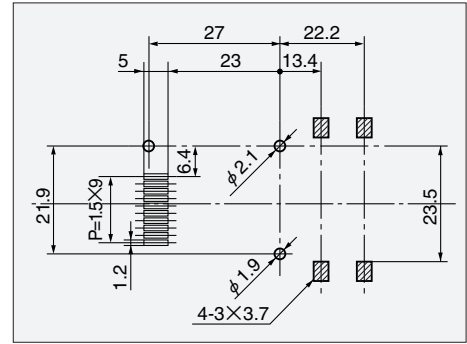
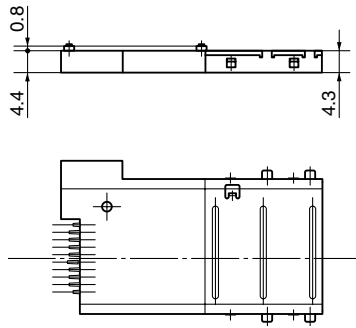
Land Layout  
(Top View)

定 格 Rating	接触抵抗 Contact Resistance	絶縁抵抗 Insulation Resistance	挿 抜 力 Insertion & Extraction force	挿抜寿命 Durability
0.5 A 125 V DC max.	Initial 100 mΩ After Test 140 mΩ	1,000 MΩ min. at 500 V DC	3 N to 8 N	10,000 cycles

### CCD1054

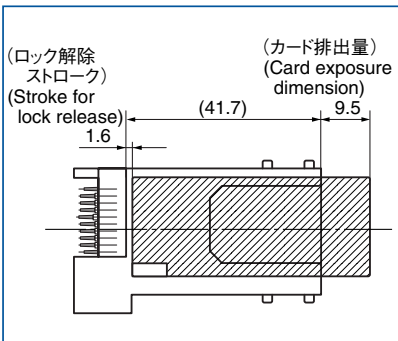
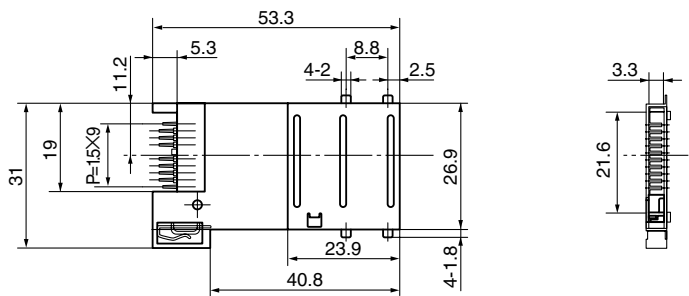
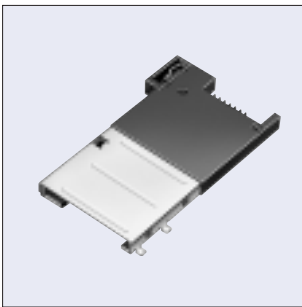


ロック状態図(Locked Condition)

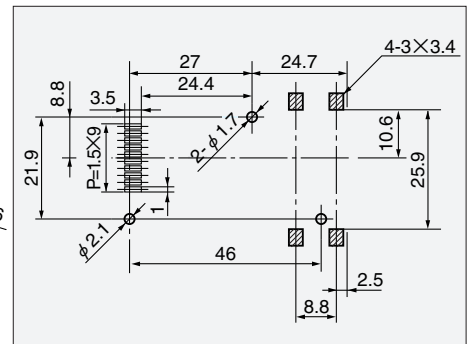
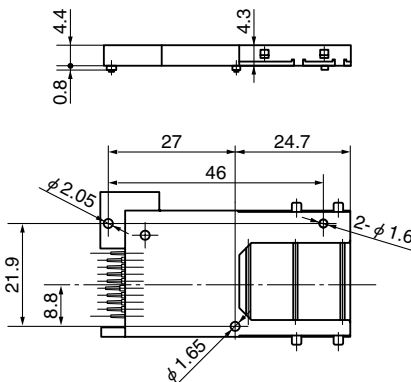


Land Layout (Top View)

### CCD1057



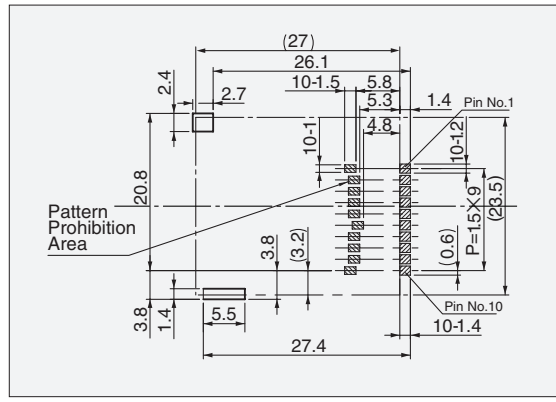
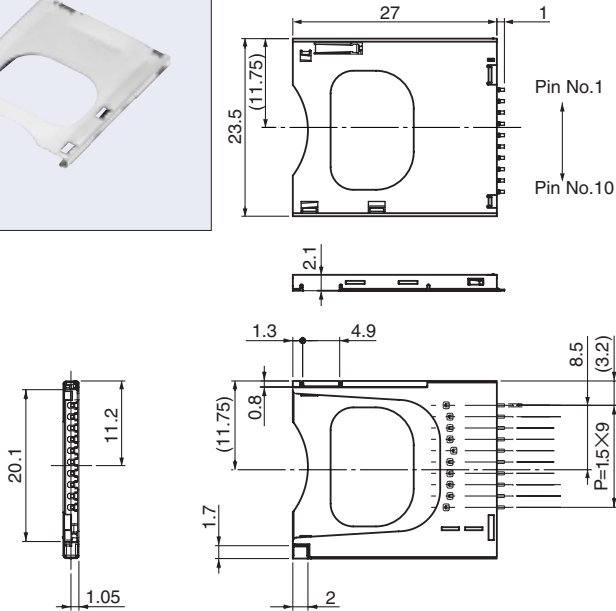
ロック状態図(Locked Condition)



Land Layout (Top View)

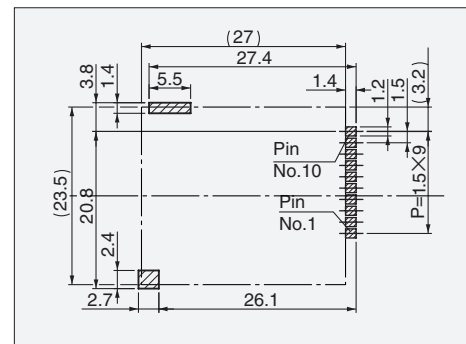
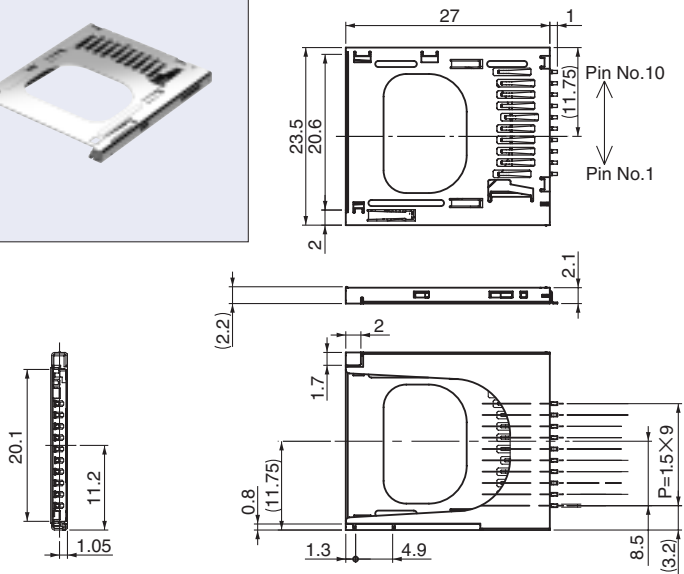
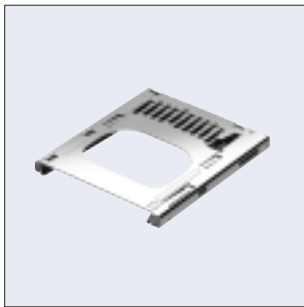
定格 Rating	接触抵抗 Contact Resistance	絶縁抵抗 Insulation Resistance	挿抜力 Insertion & Extraction force	挿抜寿命 Durability
0.5 A 125 V DC max.	Initial 100 mΩ After Test 140 mΩ	1,000 MΩ min. at 500 V DC	1.1 N or more	12,000 cycles

### CCD1300



Land Layout  
(Top View)

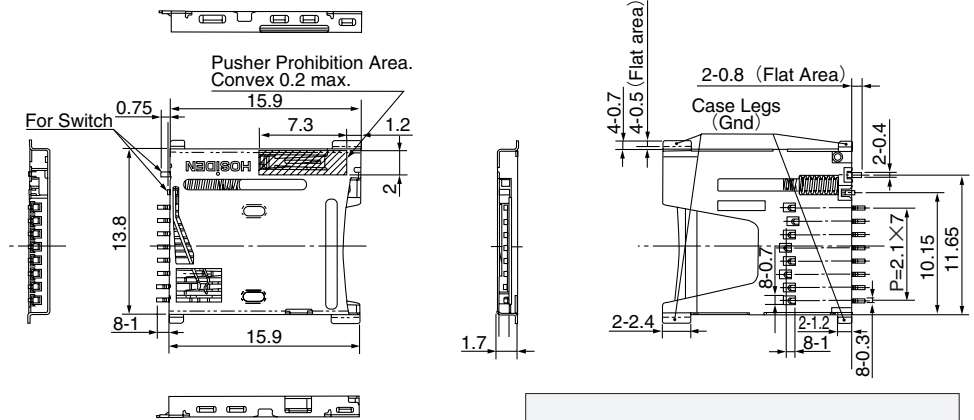
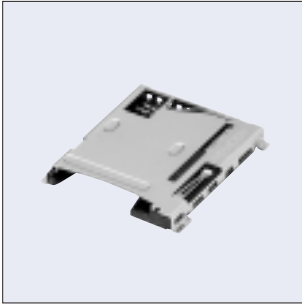
### CCD1301



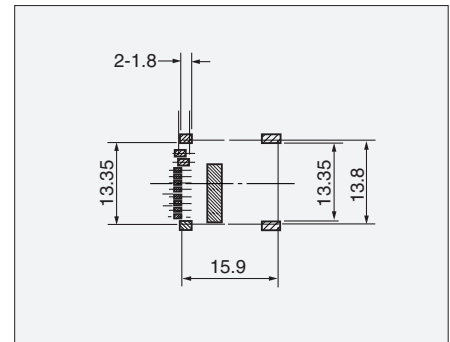
Land Layout  
(Top View)



### CCD1360



定格 Rating	0.5 A 125 V DC max.
接触抵抗 Contact Resistance	Initial 100 mΩ max. After Test 140 mΩ max.
絶縁抵抗 Insulation Resistance	1,000 MΩ min. at 500 V DC
挿抜力 Insertion & Extraction force	1 N to 40 N
挿抜寿命 Durability	10,000 cycles

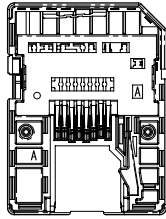


Land Layout  
(Top View)

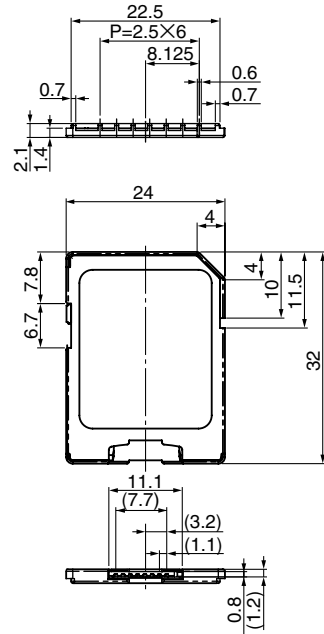
### CCD1183 microSD-SD



定格 Rating	0.5 A 125 V DC max.
接触抵抗 Contact Resistance	Initial 100 mΩ max. After Test 140 mΩ max.
絶縁抵抗 Insulation Resistance	1,000 MΩ min. at 500 V DC
挿抜力 Insertion & Extraction force	Insertion 25 N max. Extraction IN to 10N
挿抜寿命 Durability	5,000 cycles



ケース除去図  
Without case



### CCD1184 microSD-miniSD



定格 Rating	0.5 A 3.3 V DC max.
接触抵抗 Contact Resistance	Initial 100 mΩ max. After Test 100 mΩ max.
絶縁抵抗 Insulation Resistance	1,000 MΩ min. at 500 V DC
挿抜力 Insertion & Extraction force	Insertion 25 N max Extraction 1.0 N min. to 10 N max.
挿抜寿命 Durability	5,000 cycles

