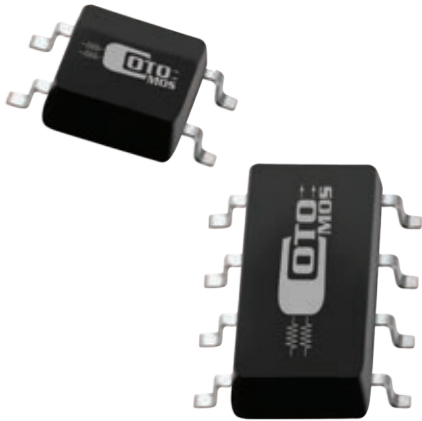


CotoMOS C234S/C334S

The C234S and C334S feature current switching capability to 180mA with a low on resistance of 8Ω Maximum. Designed for Security, Measurement and Instrumentation applications the CotoMOS® relay is capable of handling 200V load conditions. If your requirements are different please contact your Coto Applications Engineer for assistance through www.cotorelay.com.



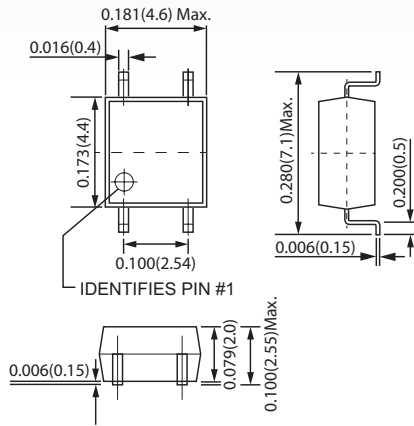
CS234S/CS334S Features

- ▶ Contact Form: C234S: 1a / C334S: 2a
- ▶ Load Voltage: 200V Maximum
- ▶ Operation LED Current: 3.0mA Maximum
- ▶ Load Current: C234S: 180mA Maximum / C334S: 160mA Maximum
- ▶ On-Resistance: 8Ω Maximum
- ▶ Output Capacitance: 130pF Typical
- ▶ Low Off-State Leakage Current: 1.0μA Maximum

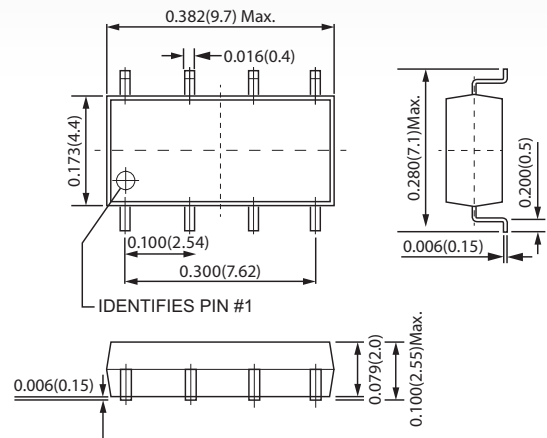
DIMENSIONS

in Inches (Millimeters)

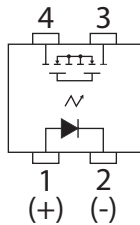
C234S



C334S

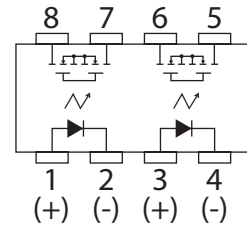


TERMINAL IDENTIFICATION



| | |
|------------------------------------|---------------------|
| 1: Anode (LED) 2: Cathode (LED) | 3,4: Drain (MOSFET) |
|------------------------------------|---------------------|

TERMINAL IDENTIFICATION



| | |
|--|-------------------------|
| 1,3: Anode (LED) 2,4: Cathode (LED) | 5,6,7,8: Drain (MOSFET) |
|--|-------------------------|

| C234S/C334S MAXIMUM RATINGS (Ambient Temperature: 25°C) | | | |
|--|-------------------|-------|---------------------------|
| Parameters | Symbol | Units | Value |
| INPUT SPECIFICATIONS | | | |
| Continuous LED Current | I _F | mA | 50mA |
| Peak LED Current | I _{FP} | mA | 500mA |
| LED Reverse Voltage | V _R | V | 5V |
| Input Power Dissipation | P _{in} | mW | 75mW |
| OUTPUT SPECIFICATIONS | | | |
| Load Voltage | V _L | V | 200V (AC peak or DC) |
| Load Current | I _L | A | 180mA (1Ch) / 160mA (2Ch) |
| Peak Load Current | I _{Peak} | A | 0.8A |
| Output Power Dissipation | P _{Out} | mW | 300mW (1Ch) / 450mW (2Ch) |
| RELAY SPECIFICATIONS | | | |
| Total Power Dissipation | P _T | mW | 350mW (1Ch) / 500mW (2Ch) |
| I/O Breakdown Voltage | V _{I/O} | V | 1500Vrms |
| Operating Temperature | T _{Opr} | | -40°C ~ +85°C |
| Storage Temperature | T _{Stg} | | -40°C ~ +100°C |

| C234S/C334S ELECTRICAL SPECIFICATIONS (Ambient Temperature: 25°C) | | | | | | |
|--|--------------------|--|-------|-----------------|------|-----|
| Parameters | Symbol | Test Conditions | Units | Min | Typ | Max |
| INPUT | | | | | | |
| LED Forward Voltage | V _F | I _F =10mA | V | 1.0 | | 1.5 |
| Operation LED Current | I _{F On} | | mA | | 0.9 | 3.0 |
| Recovery LED Voltage | V _{F Off} | | V | 0.5 | | |
| OUTPUT | | | | | | |
| On-Resistance Drain to Drain | R _{On} | I _F =5mA, I _L =Rating Time to flow is within 1 sec. | Ω | | 6.0 | 8.0 |
| Off-State Leakage Current | I _{Leak} | V _L =200V | μA | | | 1.0 |
| Output Capacitance | C _{Out} | V _L =0V, f=1MHz | pF | | 130 | |
| TRANSMISSION | | | | | | |
| Turn-On Time | T _{On} | I _F =5mA, I _L =Rating | ms | | 0.25 | 0.5 |
| Turn-Off Time | T _{Off} | | ms | | 0.05 | 0.2 |
| COUPLED | | | | | | |
| I/O Insulation Resistance | R _{I/O} | | Ω | 10 ⁹ | | |
| I/O Capacitance | C _{I/O} | f=1MHz | pF | | 1.3 | |

Environmental Ratings:

Operating Temp: -40°C to +85°C; Storage Temp: -40 to +100 C.
All electrical parameters measured at 25° C unless otherwise specified.