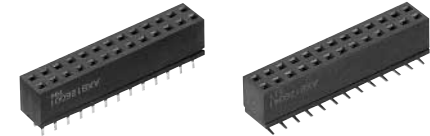


(AXB1)

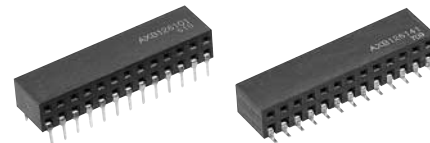
Panasonic
ideas for life

**FOR PC BOARD
TO PC BOARD**

**BB SOCKETS
(AXB1)**



Stacking type
(Solder-DIP terminals) (Surface mounting terminals)



Angle type
(Solder-DIP terminals) (Surface mounting terminals)

FEATURES

1. Low profile type

By means of the straight type and AXL low-profile header (open type) 2.54mm combination as a stacking type with a height of 10.1mm, the lowest profile is possible for a dense piling.

2. Reflow soldering is possible

Using a high heat resisting molding resin, reflow soldering of the terminals to the printed circuit board can be done with this construction.

3. Surface mounting terminal construction type also available

In addition to the former epoxy board, metal and ceramic boards can be dealt with.

4. Compliance with RoHS' Directive

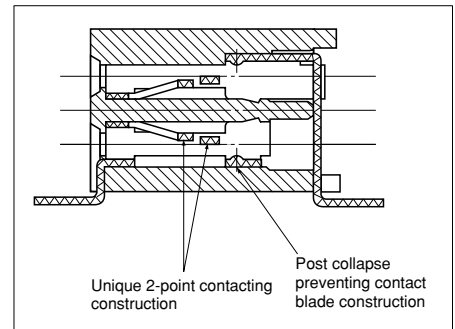
Environmentally friendly, the connectors' comply with Europe's RoHS' Directive. Cadmium, lead, mercury, hexavalent, chromium, PBB and PBDE are not used.

APPLICATIONS



- Communication equipment
- Measuring equipment
- Factory automation related equipment

CONSTRUCTION



ORDERING INFORMATION

AXB 1

1: BB socket

<No. of contacts (2 digits)>

10: 10 contacts	14: 14 contacts	16: 16 contacts
20: 20 contacts	26: 26 contacts	30: 30 contacts
34: 34 contacts	40: 40 contacts	50: 50 contacts
60: 60 contacts	64: 64 contacts	

<Type>

Straight type: 0
Angle type: 1

<Terminal shape>

DIP terminal: 0
Surface mount terminal: 4

<Surface treatment (Contact portion/Terminal portion)>

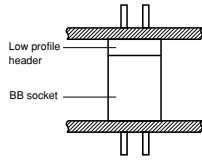
1: Au plating/Sn plating

HOW TO USE

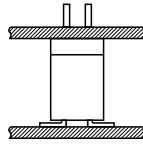
• Socket combination

Low-profile header (Open type)

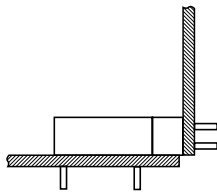
• Mating condition



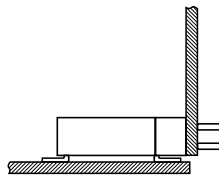
Stacking type
(Solder-DIP terminals)



Stacking type
(Surface mounting terminals)



Angle type
(Solder-DIP terminals)



Angle type
(Surface mounting terminals)

PRODUCT TYPES

1. Stacking type (Straight type)

No. of contacts	Solder-dip terminals	Surface mounting terminals	Packing	
	Part No.	Part No.	Inner carton	Outer carton
10	AXB110001	AXB110041	—	200 pcs
14	AXB114001	AXB114041		
16	AXB116001	AXB116041		
20	AXB120001	AXB120041		
26	AXB126001	AXB126041		
30	AXB130001	AXB130041		
34	AXB134001	AXB134041		
40	AXB140001	AXB140041		
50	AXB150001	AXB150041		
60	AXB160001	AXB160041		
64	AXB164001	AXB164041		

2. Angle type

No. of contacts	Solder-dip terminals	Surface mounting terminals	Packing	
	Part No.	Part No.	Inner carton	Outer carton
10	AXB110101	AXB110141	—	200 pcs
14	AXB114101	AXB114141		
16	AXB116101	AXB116141		
20	AXB120101	AXB120141		
26	AXB126101	AXB126141		
30	AXB130101	AXB130141		
34	AXB134101	AXB134141		
40	AXB140101	AXB140141		
50	AXB150101	AXB150141		
60	AXB160101	AXB160141		
64	AXB164101	AXB164141		

Special Order

In addition to standard number of contacts, 6 to 62 contacts compatibility is possible.
Note) For the available foreign standard products, refer to "STANDARDS CHART" on the end of the catalog.

2. Accessory

Name	Part No.	Packing	
		Inner carton	Outer carton
Incorrect insertion prevention key	AXB8001	50 pcs	200 pcs

SPECIFICATIONS

1. Characteristics

	Item	Specifications	Conditions
Electrical characteristics	Rated current	2A	
	Rated voltage	250V AC	
	Breakdown voltage	1,000 V AC for 1 min.	Detection current: 1mA
	Insulation resistance	Min. 1,000MΩ	At 500V DC megger
	Contact resistance	Max. 20mΩ	Measured based on the HP4338B measurement method of JIS C 5402
Mechanical characteristics	Unit insertion force	Max. 5.88N {600gf}/2 contacts	Measured by steel gauge: 0.64±0.01mm square
	Unit removal force	Min. 0.392N {40gf}/2 contacts	Measured by steel gauge: 0.64±0.01mm square
Lifetime characteristics	Insertion and removal life	500 times	
Environmental characteristics	Ambient temperature	-55°C to +105°C	Max. 85% R.H. Not freezing at low temperature

2. Material and surface treatment

Part name	Material	Surface
Molded portion	Glass reinforced PET (UL94V-0)	—
Contact	Copper alloy	Contact portion: Ni plating on base, Au plating on surface Terminal portion: Ni plating on base, Sn plating on surface

Note) Please consult us for different plating requirements.

3. Applicable PC board

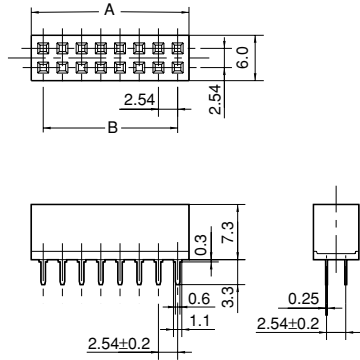
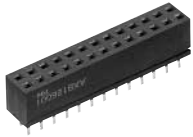
Thickness	1.6mm for Solder-dip type
-----------	---------------------------

(AXB1)

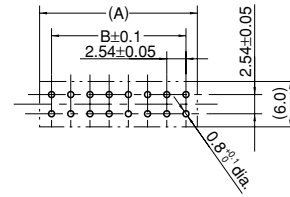
DIMENSIONS

mm General tolerance: ± 0.3

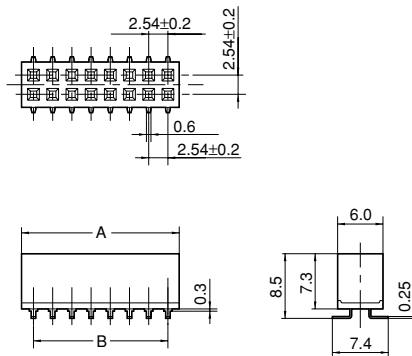
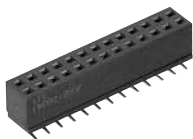
- Stacking type
- Solder-dip terminals



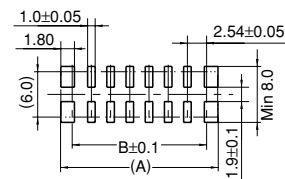
Recommended PC board pattern (Bottom view)



- Surface mounting terminals



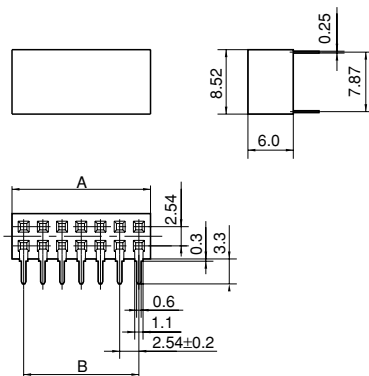
Recommended PC board pattern (Top view)



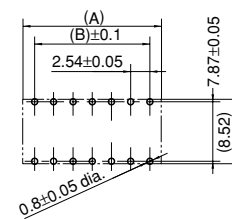
Dimension table (mm)

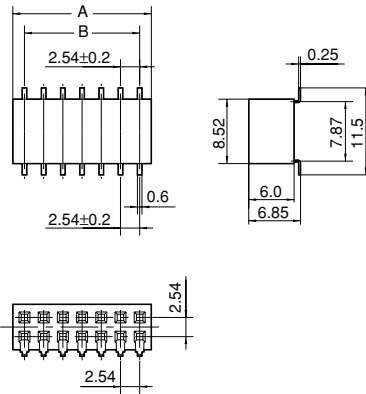
No. of contacts	A	B
10	13.24	10.16
14	18.32	15.24
16	20.86	17.78
20	25.86	22.86
26	33.56	30.48
30	38.64	35.56
34	43.64	40.64
40	51.34	48.26
50	63.96	60.96
60	76.74	73.66
64	81.74	78.74

- Angle type
- Solder-dip terminals

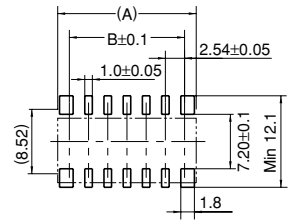


Recommended PC board pattern (Bottom view)





Recommended PC board pattern (Top view)



Dimension table (mm)

No. of contacts	A	B
10	13.24	10.16
14	18.32	15.24
16	20.86	17.78
20	25.86	22.86
26	33.56	30.48
30	38.64	35.56
34	43.64	40.64
40	51.34	48.26
50	63.96	60.96
60	76.74	73.66
64	81.74	78.74

NOTES

1. Regarding printed circuit board design

Terminal numbers are not indicated on the connector. Confirm the socket terminal direction when carrying out the printed circuit board design.

2. Regarding handling of terminals

Repeated bending of the terminals can cause breakage. Take extra care when handling.

3. Regarding soldering operations

Rosin type flux should be used. For the dip method of soldering, the following conditions should be used.

- 260°C Within 10 seconds
- 300°C Within 5 seconds
- 350°C Within 3 seconds

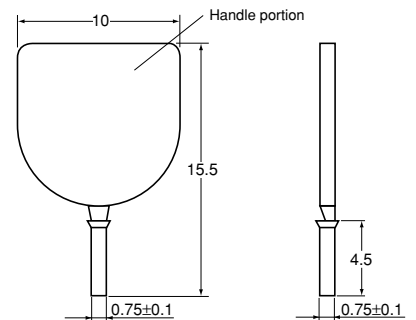
For the reflow method of soldering, the following condition should be used.

- Peak temperature 230°C
- 220°C Within 15 seconds

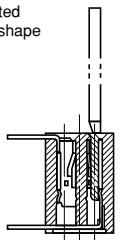
4. Regarding prevention of incorrect insertion

For the prevention of incorrect insertion of similarly appearing printed circuit board blocks, the following procedure should be carried out.

- 1) Insert the incorrect insertion prevention key (AXB8001) in a black terminal of the socket, and break away the handle portion.
 - 2) Remove the post corresponding to that terminal from the socket of the header.
- When the multiple contacts connectors such as 34 contacts type are used, it is recommended that one incorrect insertion prevention key be placed near the end of each side for improving the safety of the circuit protection against incorrect insertion.



Note: Although AXM8002 is printed on the handle-portion, the shape is different from AXM8002.



Regarding general notes, please refer to page 12.

For other details, please verify with the product specification sheets.