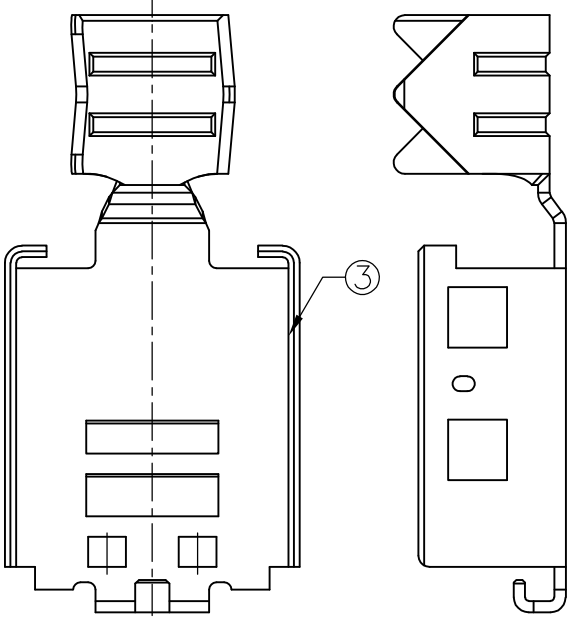
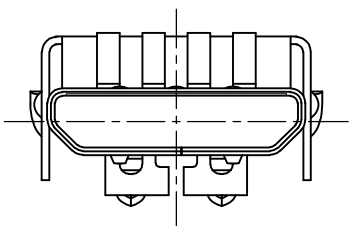
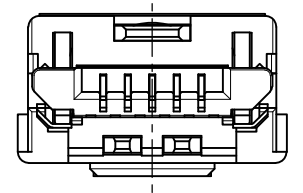
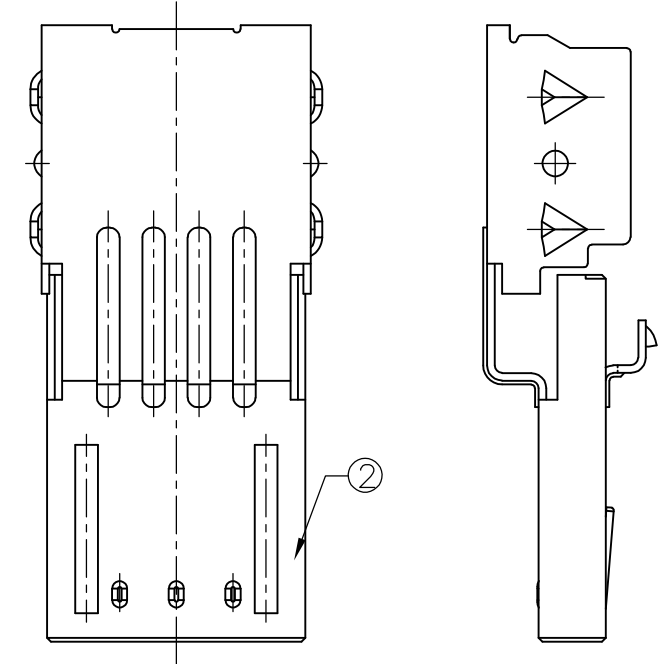
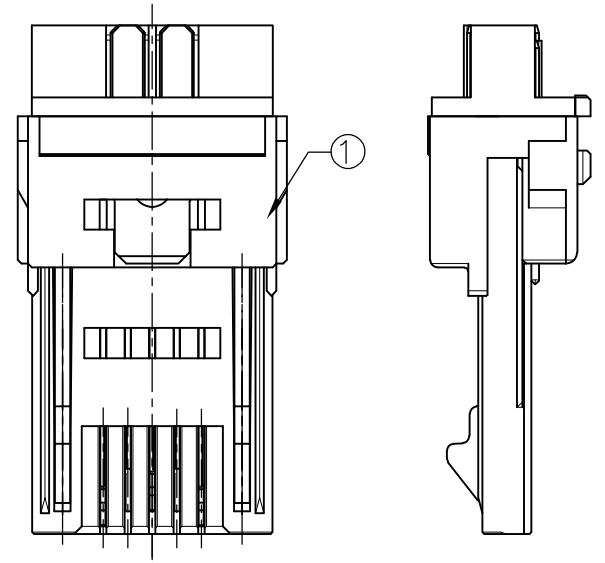


THIS DRAWING IS UNPUBLISHED. RELEASED FOR PUBLICATION ,2007.
 © COPYRIGHT 2007 By - ALL RIGHTS RESERVED.

LOC	DIST	REVISIONS 変更					
J	/	P	LTR	DESCRIPTION	DATE	DWN	APVD
		G		REVISED PER ECR-11-014079	15NOV2011	T.T	J.T



1. ITEM 2 AND 3 ARE NOT ASSEMBLED.
 2. PACKAGING QUANTITY : 550 KIT

APPLICABLE CABLE DIAMETER	TOOLING STATUS	CONTACT FINISH	PART NO. FOR KIT	DESCRIPTION	PART NO.	ITEM
ø4.3	NOT AVAILABLE	SELECTIVE Au PLATED OVER Ni-Pd PLATED OVER Ni PLATED	1-1939054-3	LOWER SHELL	1-1939061-6	⑥
	AVAILABLE	SELECTIVE Au PLATED OVER Ni PLATED	1939054-3	UPPER SHELL	1-1939060-2	②
ø3.3	NOT AVAILABLE	SELECTIVE Au PLATED OVER Ni-Pd PLATED OVER Ni PLATED	1-1939054-2	SUB ASSY	1-1939080-2	①
	AVAILABLE	SELECTIVE Au PLATED OVER Ni PLATED	1939054-2	LOWER SHELL	1-1939061-6	③
ø2.8	NOT AVAILABLE	SELECTIVE Au PLATED OVER Ni-Pd PLATED OVER Ni PLATED	1-1939054-1	UPPER SHELL	1-1939060-2	②
	AVAILABLE	SELECTIVE Au PLATED OVER Ni PLATED	1939054-1	SUB ASSY	1-1939080-1	①
				LOWER SHELL	1-1939061-2	③
				UPPER SHELL	1-1939060-2	②
				SUB ASSY	1-1939080-2	①
				LOWER SHELL	1-1939061-4	④
				UPPER SHELL	1-1939060-2	②
				SUB ASSY	1-1939080-1	①
				LOWER SHELL	1-1939061-2	③
				UPPER SHELL	1-1939060-2	②
				SUB ASSY	1-1939080-2	①
				LOWER SHELL	1-1939061-2	③
				UPPER SHELL	1-1939060-2	②
				SUB ASSY	1-1939080-1	①

THIS DRAWING IS A CONTROLLED DOCUMENT.

DWN	J.TSUJI	28MAY2007
CHK	T.KUSUHARA	28MAY2007
APVD	T.KUSUHARA	28MAY2007

NAME: T.KUSUHARA

PRODUCT SPEC: 製品規格

APPLICATION SPEC: 取付適用規格

WEIGHT: -

CUSTOMER DRAWING

SCALE: 5:1

SHEET: 1 OF 3

REV: G

RESTRICTED TO: -

SIZE: A3

CAGE CODE: 00779

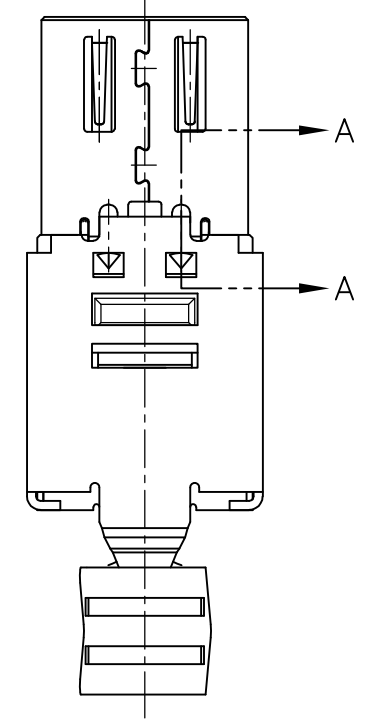
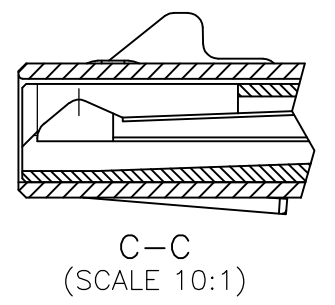
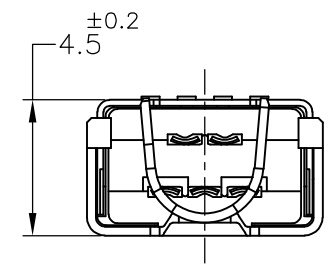
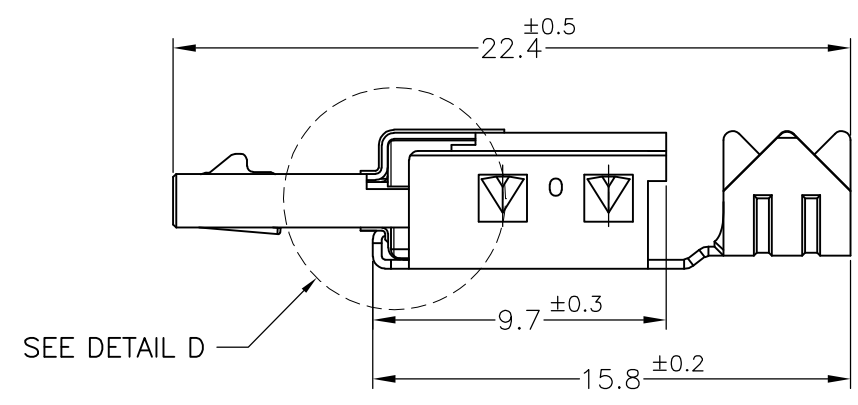
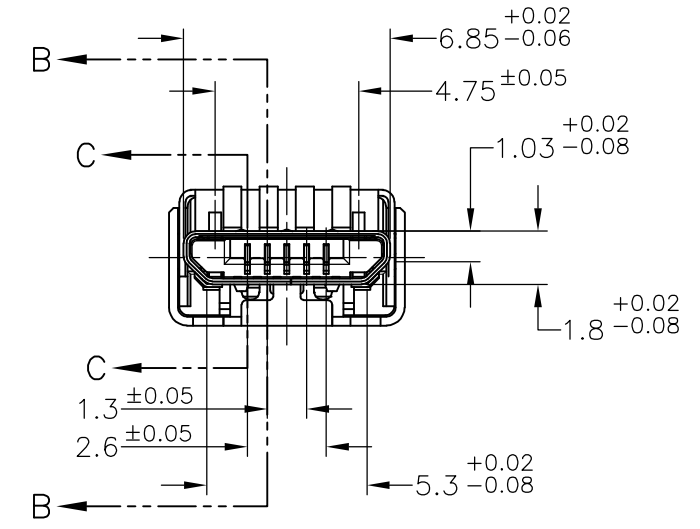
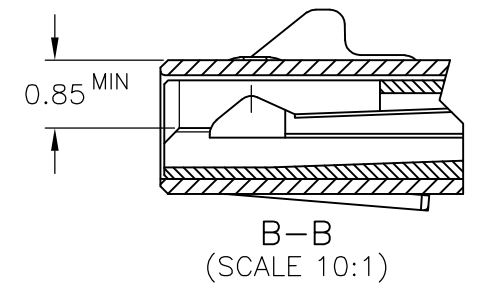
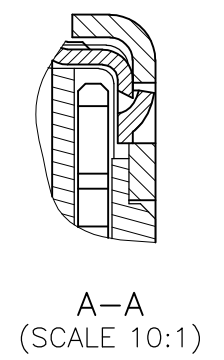
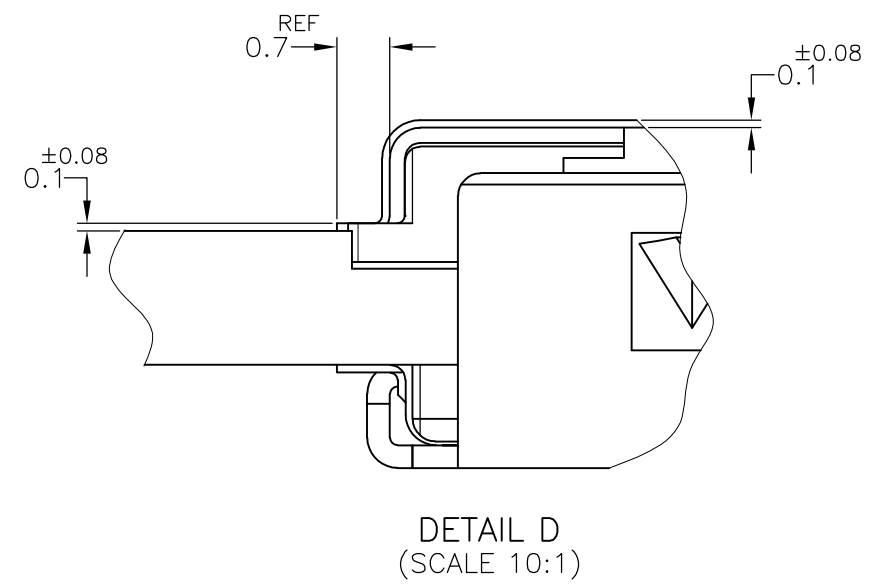
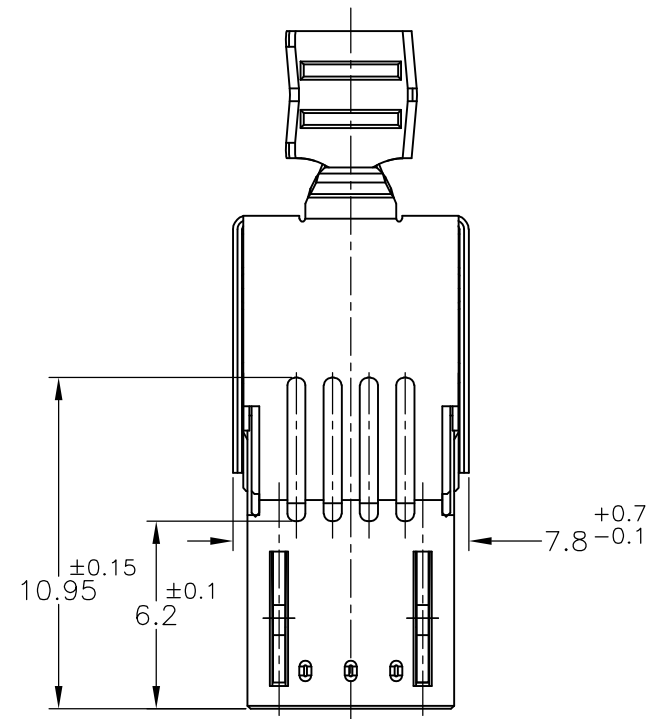
DRAWING NO: C-1939054

TE Connectivity

MICRO USB I/O PLUG TYPE B KIT

THIS DRAWING IS UNPUBLISHED. RELEASED FOR PUBLICATION .2006.
 © COPYRIGHT 2006 By - ALL RIGHTS RESERVED.

LOC	DIST	REVISIONS			DATE	DWN	APVD
J	/	P	LTR	DESCRIPTION			
		-		SEE SHEET 1	-	-	-

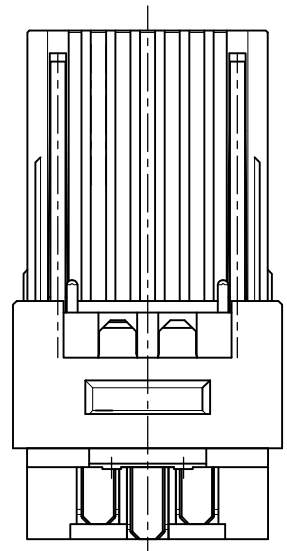
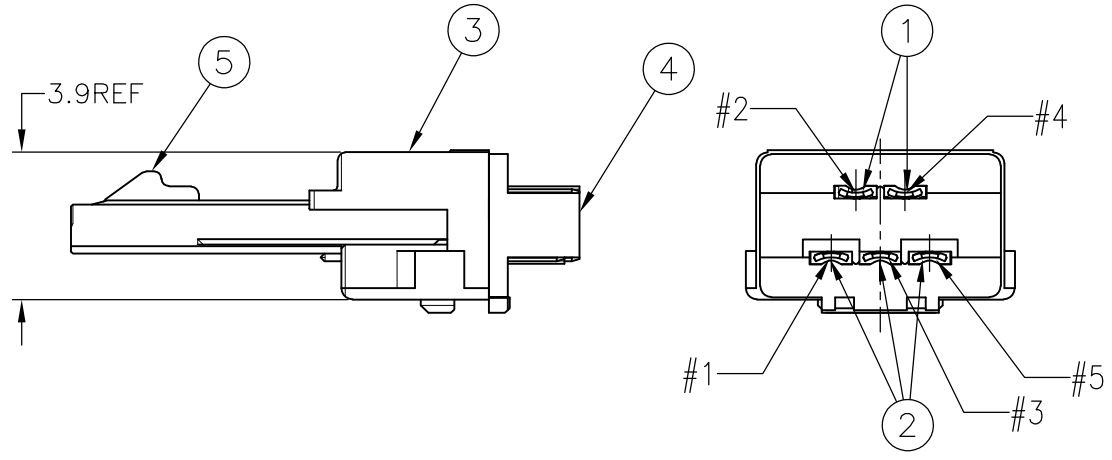
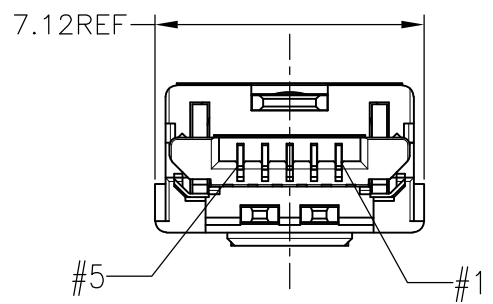
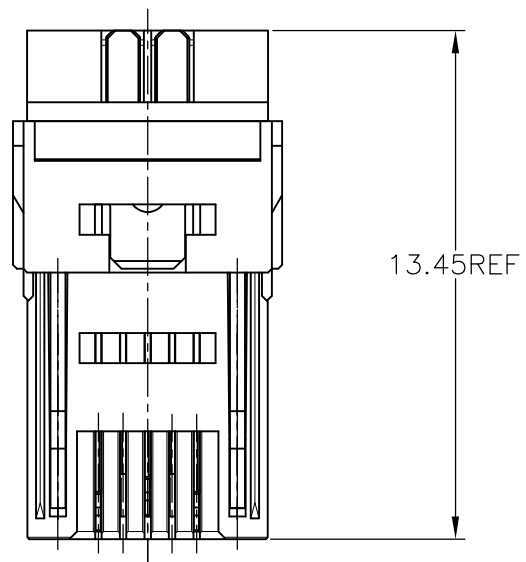


REFERENCE: SHELL ASSEMBLY

THIS DRAWING IS A CONTROLLED DOCUMENT.		DWN	STE TE Connectivity		
DIMENSIONS: 单位: 耗 mm		CHK			
TOLERANCES UNLESS OTHERWISE SPECIFIED: 一般公差		APVD	NAME 名称		
0 PLC ± -		PRODUCT SPEC 製品規格	MICRO USB I/O PLUG TYPE B KIT		
1 PLC ± -		APPLICATION SPEC 取付適用規格	SIZE	CAGE CODE	DRAWING NO 番号
2 PLC ± -		WEIGHT	A3	00779	C-1939054
3 PLC ± -		CUSTOMER DRAWING		RESTRICTED TO	
4 PLC ± -		SCALE 尺度 4:1		SHEET 2 OF 3	REV G
ANGLES ± -					
FINISH 仕上					
MATERIAL 材料					

THIS DRAWING IS UNPUBLISHED. RELEASED FOR PUBLICATION ,2006.
 © COPYRIGHT 2006 By - ALL RIGHTS RESERVED.

LOC	DIST	REVISIONS 変更					
J	/	P	LTR	DESCRIPTION	DATE	DWN	APVD
		-		SEE SHEET 1	-	-	-



REFERENCE: SUB ASSY

NAME	TOOLING STATUS	P/N	DESCRIPTION	PART NO.	MATERIAL	FINISH	ITEM
SUB ASSY	NOT AVAILABLE	1-1939080-2	LOCK LEVER	1981274-3	STAINLESS STEEL		⑤
			BOTTOM COVER	1981198-1	THERMO PLASTIC		④
			HOUSING	1939056-1	THERMO PLASTIC		③
			CONTACT B	1939058-3	COPPER ALLOY	SELECTIVE Au PLATED OVER Ni-Pd PLATED OVER Ni PLATED	②
			CONTACT A	1939057-3	COPPER ALLOY	SELECTIVE Au PLATED OVER Ni-Pd PLATED OVER Ni PLATED	①
	AVAILABLE	1-1939080-1	LOCK LEVER	1981274-3	STAINLESS STEEL		⑤
			BOTTOM COVER	1981198-1	THERMO PLASTIC		④
			HOUSING	1939056-1	THERMO PLASTIC		③
			CONTACT B	1939058-2	COPPER ALLOY	SELECTIVE Au PLATED OVER Ni PLATED	②
			CONTACT A	1939057-2	COPPER ALLOY	SELECTIVE Au PLATED OVER Ni PLATED	①

THIS DRAWING IS A CONTROLLED DOCUMENT.

DIMENSIONS: 単位: 耗 mm	TOLERANCES UNLESS OTHERWISE SPECIFIED: 一般公差	DWN	TE Connectivity MICRO USB I/O PLUG TYPE B KIT
	0 PLC ± -	CHK	
	1 PLC ± -	APVD	
	2 PLC ± -	PRODUCT SPEC 製品規格	
	3 PLC ± -	APPLICATION SPEC 取付適用規格	
MATERIAL 材料	FINISH 仕上	WEIGHT	NAME 名称 SIZE CAGE CODE DRAWING NO 番号 A3 00779 C-1939054 RESTRICTED TO SCALE 尺度 5:1 SHEET 3 OF 3 REV G

CUSTOMER DRAWING