



TNC COAXIAL CONNECTORS

The Connex TNC connectors are made to a high quality level. Medium size coaxial connectors with thread coupling. 50 ohm impedance for applications up to 11 GHz and 75 ohm impedance up to 1 GHz. Cable entires full crimp or clamp type with soldered or crimp center contact.

75 OHM SERIES

Within the internationally standardized TNC mating face dimensions, a perfect 75 ohm characteristic impedance cannot be realized. However, at frequencies up to 1 GHz, the small impedance deviation is negligible for practical applications. A typical SWR of 1.15:1 at 1 GHz is achieved.

All 75 ohm TNC connectors and 50 ohm TNC connectors are intermateable.

Note: Silverplated bodies are available by adding "S" to end of part number. Nexcote (white bronze) plating with no nickel under body or center contact is available by adding "NEX" to end of part number.

ELECTRICAL SPECIFICATIONS

| | | |
|---------------------------------|---|---|
| Impedance | 50 ohm | 75 ohm |
| Frequency Range | 0–11 GHz | 0–1 GHz |
| Working Voltage | 500 Volts rms. | 500 Volts rms. |
| Dielectric Withstanding Voltage | 1500 Volts rms. | 1500 Volts rms. |
| VSWR | 1.3 max. 0–11 GHz | 1.05 + 0.1f (GHz) DC to 1 GHz |
| Contact Resistance | Center contact 1.5 milliohm Outer contact 0.2 milliohm | Center contact 1.5 milliohm Outer contact 0.2 milliohm |
| Insulation Resistance | 5000 megohms (min) | 5000 megohms (min) |

MATERIAL SPECIFICATIONS

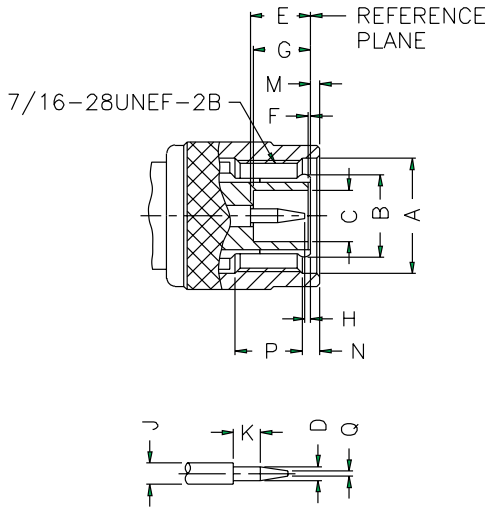
| PARTS NAME | | MATERIAL | FINISH |
|----------------|--------|---|-----------------------|
| Center Contact | Male | Brass | Gold or Silver plated |
| | Female | Phosphor Bronze (nominal) or Beryllium Copper | Gold or Silver plated |
| Metal parts | | Brass | Nickel* |
| Insulators | | Teflon, Delrin, PBT polyester | None |
| Clamp gaskets | | Silicone rubber, Synthetic rubber | None |
| Crimp ferrule | | Annealed copper | Nickel* |





TNC COAXIAL CONNECTORS

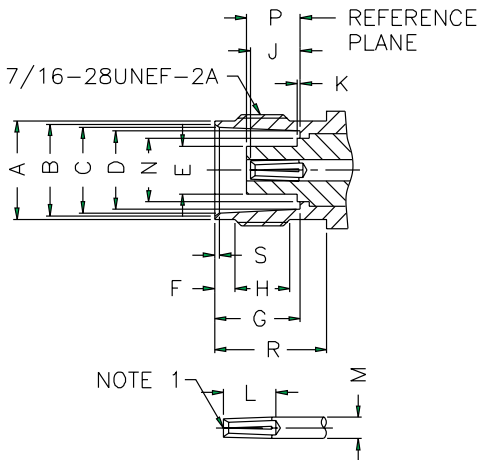
INTERFACE MATING DIMENSIONS



PLUG

| Letter | Millimeters [Inches] | |
|--------|--|-------------|
| | Minimum | Maximum |
| A | 11.18 [.440] | — |
| B | FLARED TO MEET GOOD ELECTRICAL CONTACT | |
| C | 4.83 [.190] | — |
| D | 1.32 [.052] | 1.37 [.054] |
| E | 5.33 [.210] | 5.84 [.230] |
| F | 0.15 [.006] | 0.46 [.018] |
| G | 5.28 [.208] | 5.79 [.228] |
| H | 0.08 [.003] | 1.02 [.040] |
| J | 2.06 [.081] | 2.21 [.087] |
| K | 1.98 [.078] | — |
| M | — | 1.98 [.078] |
| N | 1.60 [.063] | — |
| P | 3.96 [.156] | — |
| Q | — | 0.64 [.025] |

JACK



| Letter | Millimeters [Inches] | |
|--------|----------------------|-------------|
| | Minimum | Maximum |
| A | 9.60 [.378] | 9.70 [.382] |
| B | 8.79 [.346] | 9.04 [.356] |
| C | 8.31 [.327] | 8.46 [.333] |
| D | 8.10 [.319] | 8.15 [.321] |
| E | — | 4.72 [.186] |
| F | 1.73 [.068] | 2.24 [.088] |
| G | 8.31 [.327] | 8.51 [.335] |
| H | 4.75 [.187] | — |
| J | 4.72 [.186] | 5.23 [.206] |
| K | — | 0.15 [.006] |
| L | 4.95 [.195] | — |
| M | 2.06 [.081] | 2.21 [.087] |
| N | — | 6.50 [.256] |
| P | 4.78 [.188] | 5.28 [.208] |
| R | 10.52 [.414] | — |
| S | 0.38 [.015] | 0.76 [.030] |

NOTE 1: I.D. TO MEET VSWR AND CONTACT RESISTANCE WHEN MATED WITH 1.32/1.37 MM DIA. PIN.

TNC COAXIAL CONNECTORS

All connector bodies, unless otherwise noted, are nickel plated. Center contacts are 3µ" gold plated. Insulators are Delrin, unless otherwise noted.

Silver plating and Teflon insulators are available on virtually all TNC connectors. Please contact Connex for samples and quotes.

All dimensions in millimeters and [inches].

CABLE GROUP LEGEND

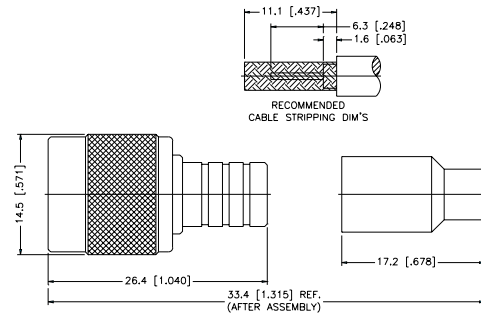
| | | | | | |
|-----|--|-----|---|-----|--|
| 01 | 58/ 58A/ 58C/ 141/ 303/ LMR195™/ B7806A | 06A | 179/ U DOUBLE BRAIDED | 09 | B8227/ 89207 |
| 01A | 55/ 142/ 223/ 400 | 07 | 8/ 8A/ 213/ 393 | 10 | .141 SEMI-RIGID/ 402/U |
| 01B | LMR200™/ B7807A | 07A | 214 | 11 | .085 SEMI-RIGID/ 405/U |
| 02 | 58 PLENUM/THINNET/ 122U/ B88240/ B89907 | 07B | 8X/ LMR240™/ B7808A | 12 | .250 SEMI-RIGID |
| 03 | 59/ 62/ 140/ 210 | 07C | B9913/ LMR400™/ B7810A/ B8214 | 13 | .047 SEMI-RIGID/ B1674A |
| 03A | 59/ U-20AWG | 07D | B89913 | 14 | 178/ 196 |
| 04 | 59/ U PLENUM | 07E | 11 | 15 | B8281/ B9231/ B9141 |
| 04A | 59/ U PLENUM-20AWG | 07F | 11/ U-14AWG/ B8213/ B9292/ B7731/ B1859A | 15A | B88281 |
| 05 | 174/ 188A/ 316/ B7805A | 08 | 6/ 143/ 212 | 16 | 180/ 195/ 122/ B8218/ B1865A/ B1855 |
| 05A | 316/ U DOUBLE BRAIDED | 08A | B1694A/ B9248 | 17 | LMR600™ |
| 06 | 179/ 187/ B9221 | 08B | 6 PLENUM/ B1695A | 18 | AT&T734A/ B1505A |
| | | | | 19 | AT&T735A/ B735A1 |

PLUG CRIMP ATTACHMENTS FOR FLEXIBLE AND SEMI-RIGID CABLE

STRAIGHT CRIMP PLUG — SINGLE CRIMP

| P.N. | Cable Group | Finish | Insulation | Impedance | Crimp Tool |
|--------|-------------|--------|------------|-----------|------------|
| 122100 | 01 | Nickel | Delrin | 50 | E |
| 122103 | 03 | Nickel | Delrin | 75 | E |
| 122104 | 02 | Nickel | Delrin | 50 | E |
| 122107 | 04 | Nickel | Delrin | 75 | E |

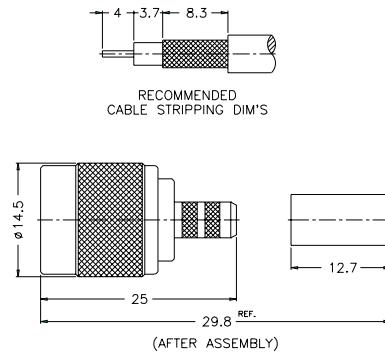
Remark: Only for solid center conductor cable



STRAIGHT CRIMP PLUG — STANDARD CABLE

| P.N. | Cable Group | Finish | Insulation | Impedance | Crimp Tool |
|---------|---------------|--------|------------|-----------|------------|
| 122108 | 01 | Nickel | Delrin | 50 | A |
| 122372 | 01A | Nickel | Delrin | 50 | A |
| 122410 | 01B | Nickel | Delrin | 50 | A |
| 122110 | 03 | Nickel | Delrin | 50 | A |
| 122111 | 03 | Nickel | Delrin | 75 | A |
| 122426 | 03A | Nickel | Delrin | 75 | A |
| 122394 | 07 | Nickel | Teflon | 50 | D |
| 122398 | 07A | Nickel | Teflon | 50 | D |
| 122408 | 07B | Nickel | Delrin | 50 | A |
| 122393 | 07C | Nickel | Teflon | 50 | L |
| 122470 | 07F | Nickel | Teflon | 75 | D |
| 122390 | 08 | Nickel | Delrin | 75 | E |
| 122465 | 08A | Nickel | Teflon | 75 | A/H |
| 122391 | 15 | Nickel | Delrin | 75 | E |
| 122417 | 17 | Nickel | Teflon | 50 | .610 HEX |
| 122951* | 18 | Nickel | Teflon | 75 | A |
| 122950* | 19 | Nickel | Teflon | 75 | B |
| 122471 | — | Nickel | Teflon | 50 | N/A |
| | TIMES LMR300™ | | | | |

*Center contact .053" diameter, 30µ" Au.
True 75 ohm. Use .044 hex or 12-indent crimp

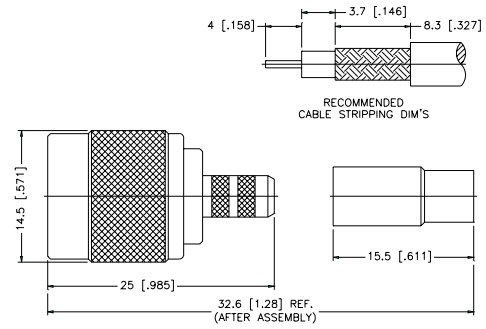


PLUG CRIMP ATTACHMENTS FOR FLEXIBLE AND SEMI-RIGID CABLE

For Cable Group Legend, see page 97

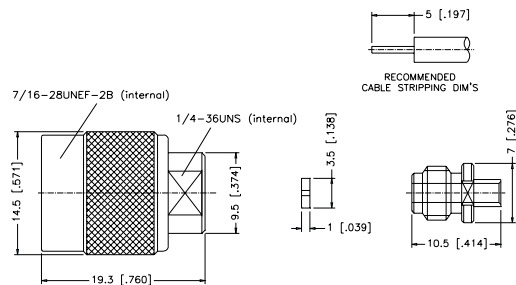
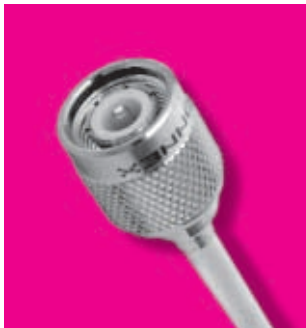
STRAIGHT CRIMP PLUG — PLENUM CABLE

| P.N. | Cable Group | Finish | Insulation | Impedance | Crimp Tool |
|--------|-------------|--------|------------|-----------|------------|
| 122112 | 02 | Nickel | Delrin | 50 | A |
| 122114 | 04 | Nickel | Delrin | 50 | A |
| 122115 | 04 | Nickel | Delrin | 75 | A |
| 122472 | 04A | Nickel | Delrin | 75 | A |

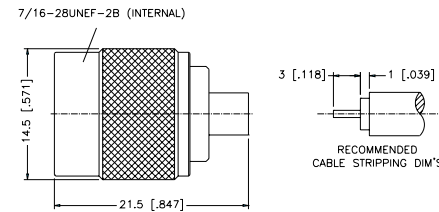


STRAIGHT SOLDER PLUG — SEMI-RIGID CABLE

| P.N. | Cable Group | Finish | Insulation | Impedance | Crimp Tool |
|------------------|-------------|-------------|------------|-----------|------------|
| 122387 | 11 | Nickel/Gold | Teflon | 50 | N/A |
| 122386 | 10 | Nickel/Gold | Teflon | 50 | N/A |
| 122386HEX | 10 | Nickel/Gold | Teflon | 50 | N/A |
| HEX COUPLING NUT | | | | | |



122387

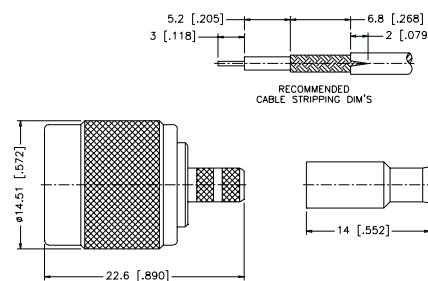
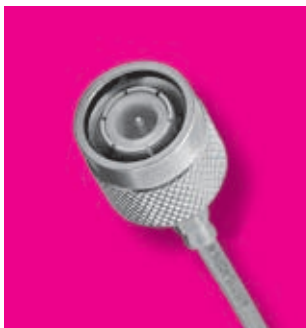


122386

STRAIGHT CRIMP PLUG — MINIATURE CABLE

| P.N. | Cable Group | Finish | Insulation | Impedance | Crimp Tool |
|----------------|-------------|--------|------------|-----------|------------|
| 122116 | 05 | Nickel | Delrin | 50 | B |
| 122395 | 05 | Nickel | Teflon | 50 | B |
| HIGH FREQUENCY | | | | | |
| 122375 | 05A | Nickel | Delrin | 50 | B |
| 122117 | 06 | Nickel | Delrin | 75 | B |
| 122447 | 06A | Nickel | Delrin | 75 | B |
| 122457 | 16 | Nickel | Teflon | 75 | B |

Remark: With teflon sleeve, Hex. crimp size .178"



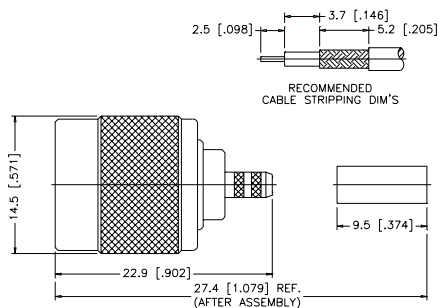
PLUG CRIMP ATTACHMENTS FOR FLEXIBLE AND SEMI-RIGID CABLE

For Cable Group Legend, see page 97

STRAIGHT CRIMP PLUG — PIN-IN-PIN — MINIATURE CABLE

| P.N. | Cable Group | Finish | Insulation | Impedance | Crimp Tool |
|--------|-------------|--------|------------|-----------|------------|
| 122118 | 05 | Nickel | Delrin | 50 | B |
| 122119 | 06 | Nickel | Delrin | 75 | B |
| 122429 | 14 | Nickel | Delrin | 50 | B |

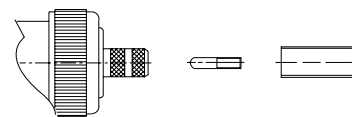
Remark: Hex. crimp size .128"



4-Way Indent Crimp Tool No. 47001



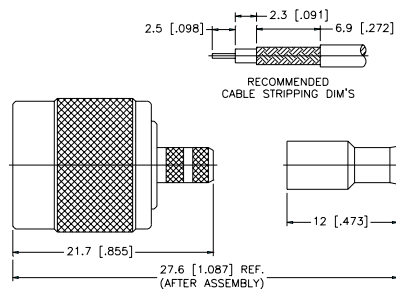
Ferrule Crimp Tool Crimped Size .128" Tool No. 47-10150



STRAIGHT CRIMP PLUG — MINIATURE CABLE

| P.N. | Cable Group | Finish | Insulation | Impedance | Crimp Tool |
|--------|-------------|--------|------------|-----------|------------|
| 122120 | 06 | Nickel | TPX | 75 | B |

Remark: TPX Insulator/75 ohm AVAILABLE ONLY



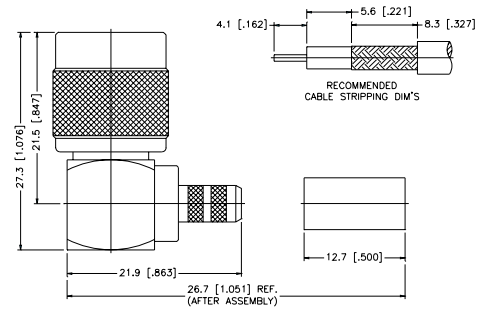
RIGHT ANGLE PLUG CRIMP ATTACHMENTS FOR FLEXIBLE AND SEMI-RIGID CABLE

For Cable Group Legend, see page 97

RIGHT ANGLE CRIMP/SOLDER PLUG — STANDARD CABLE

| P.N. | Cable Group | Finish | Insulation | Impedance | Crimp Tool |
|--------|-------------|--------|------------|-----------|------------|
| 122140 | 01 | Nickel | Delrin | 50 | A |
| 122430 | 01A | Nickel | Delrin | 50 | A |
| 122142 | 03 | Nickel | Delrin | 50 | A |
| 122143 | 03 | Nickel | Delrin | 75 | A |
| 122411 | 01B | Nickel | Delrin | 50 | A |
| 122414 | 07B | Nickel | Teflon | 50 | A |
| 122416 | 07C | Nickel | Teflon | 50 | L |
| 122464 | 17 | Nickel | Teflon | 50 | .610 HEX |

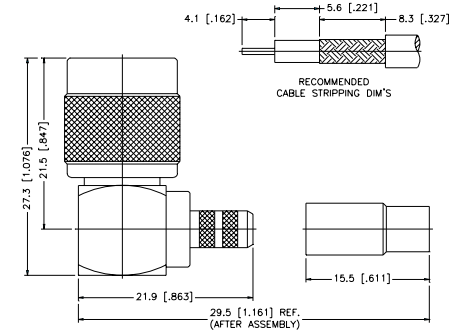
Remark: Cable center conductor solder to pin directly



RIGHT ANGLE CRIMP/SOLDER PLUG — PLENUM CABLE

| P.N. | Cable Group | Finish | Insulation | Impedance | Crimp Tool |
|--------|-------------|--------|------------|-----------|------------|
| 122144 | 02 | Nickel | Delrin | 50 | A |
| 122146 | 04 | Nickel | Delrin | 50 | A |
| 122147 | 04 | Nickel | Delrin | 75 | A |

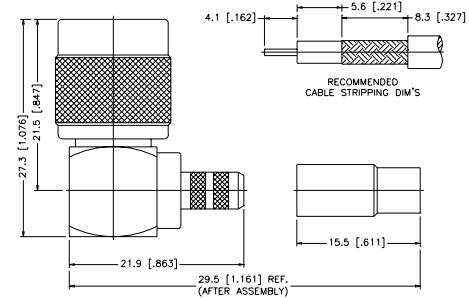
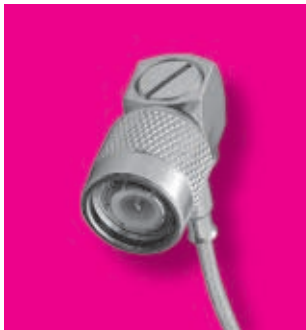
Remark: Cable center conductor solder to pin directly



RIGHT ANGLE CRIMP/SOLDER PLUG — MINIATURE CABLE

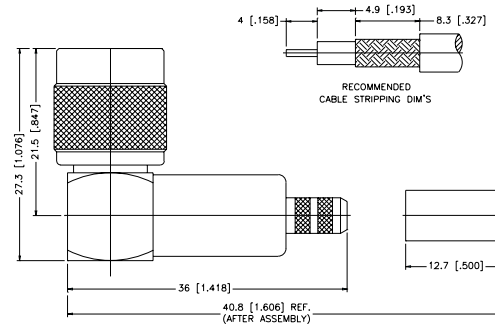
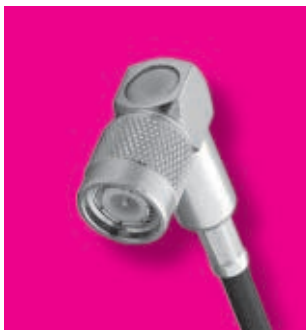
| P.N. | Cable Group | Finish | Insulation | Impedance | Crimp Tool |
|--------|-------------|--------|------------|-----------|------------|
| 122148 | 05 | Nickel | Delrin | 50 | B |
| 122407 | 05A | Nickel | Delrin | 50 | B |
| 122149 | 06 | Nickel | Delrin | 75 | B |
| 122448 | 06A | Nickel | Delrin | 75 | B |

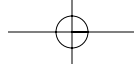
Remark: Cable center conductor solder to pin directly, Hex. crimp size .178"



RIGHT ANGLE CRIMP/CRIMP PLUG — STANDARD CABLE

| P.N. | Cable Group | Finish | Insulation | Impedance | Crimp Tool |
|--------|-------------|--------|------------|-----------|------------|
| 122150 | 01 | Nickel | Delrin | 50 | A |
| 122152 | 03 | Nickel | Delrin | 50 | A |
| 122153 | 03 | Nickel | Delrin | 75 | A |
| 122365 | 01A | Nickel | Delrin | 50 | A |



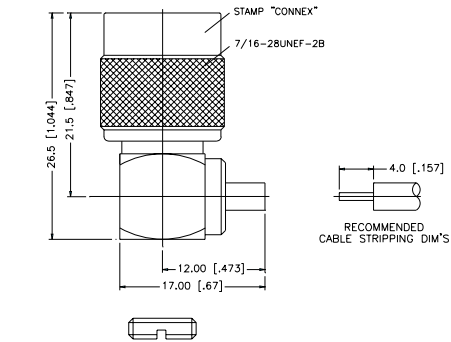
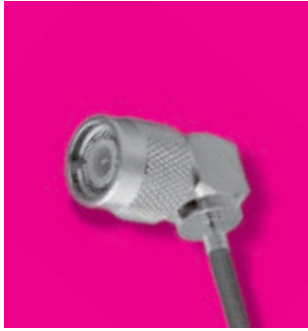


RIGHT ANGLE PLUG CRIMP ATTACHMENTS FOR FLEXIBLE AND SEMI-RIGID CABLE

For Cable Group Legend, see page 97

RIGHT ANGLE SOLDER PLUG — SEMI-RIGID CABLE

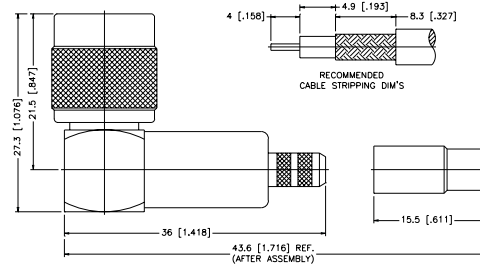
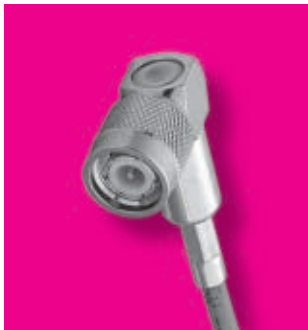
| P.N. | Cable Group | Finish | Insulation | Impedance | Crimp Tool |
|--------|-------------|-------------|------------|-----------|------------|
| 122420 | 11 | Nickel/Gold | Teflon | 50 | N/A |
| 122422 | 10 | Nickel/Gold | Teflon | 50 | N/A |



RIGHT ANGLE CRIMP/CRIMP PLUG — PLENUM CABLE

| P.N. | Cable Group | Finish | Insulation | Impedance | Crimp Tool |
|--------|-------------|--------|------------|-----------|------------|
| 122154 | 02 | Nickel | Delrin | 50 | A |
| 122156 | 04 | Nickel | Delrin | 50 | A |
| 122157 | 04 | Nickel | Delrin | 75 | A |

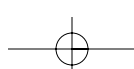
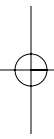
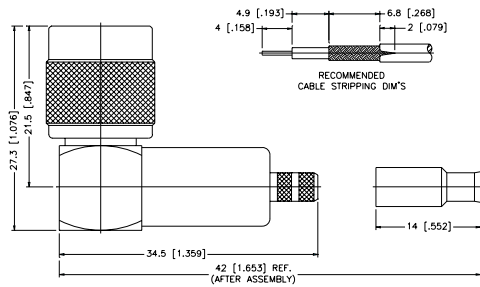
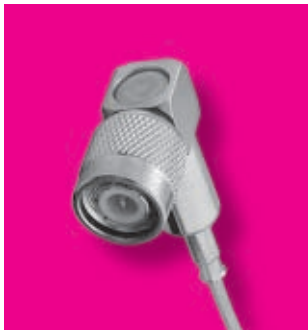
Remark: Crimp/Crimp Type



RIGHT ANGLE CRIMP/CRIMP PLUG — MINIATURE CABLE

| P.N. | Cable Group | Finish | Insulation | Impedance | Crimp Tool |
|--------|-------------|--------|------------|-----------|------------|
| 122158 | 05 | Nickel | Delrin | 50 | B |
| 122159 | 06 | Nickel | Delrin | 75 | B |
| 122376 | 05A | Nickel | Delrin | 50 | B |

Remark: With teflon sleeve, Hex. crimp size .178", Crimp/Crimp Type

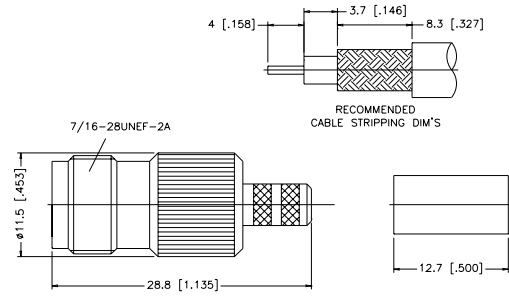
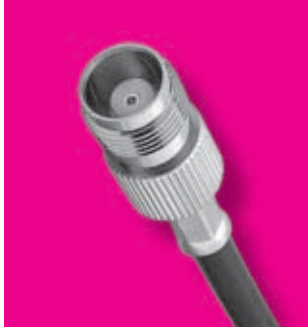


JACK CRIMP ATTACHMENTS FOR FLEXIBLE AND SEMI-RIGID CABLE

For Cable Group Legend, see page 97

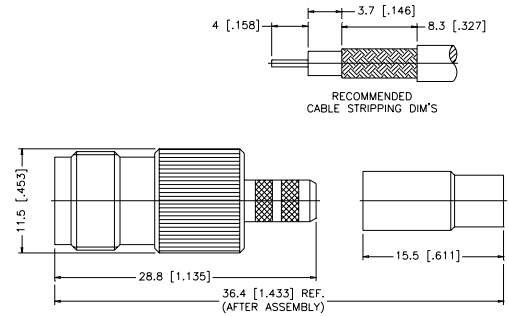
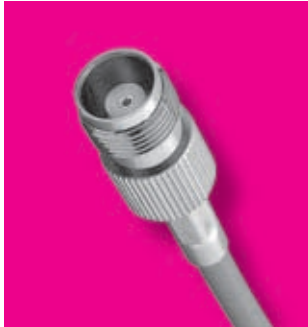
STRAIGHT CRIMP JACK — STANDARD CABLE

| P.N. | Cable Group | Finish | Insulation | Impedance | Crimp Tool |
|-----------------|-------------|--------|------------|-----------|-------------|
| Teflon/Captured | | | | | |
| 122122 | 01 | Nickel | Teflon | 50 | A |
| 122124 | 03 | Nickel | Teflon | 50 | A |
| 122125 | 03 | Nickel | Teflon | 75 | A |
| 122373 | 01A | Nickel | Delrin | 50 | A |
| 122412 | 01B | Nickel | Teflon | 50 | A |
| 122392 | 07C | Nickel | Teflon | 50 | L |
| 122409 | 07B | Nickel | Delrin | 50 | A |
| 122453 | 15 | Nickel | Teflon | 50 | E |
| 122418 | 17 | Nickel | Teflon | 50 | .610 HEX |



STRAIGHT CRIMP JACK — PLENUM CABLE

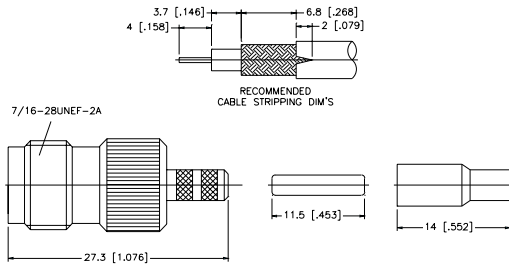
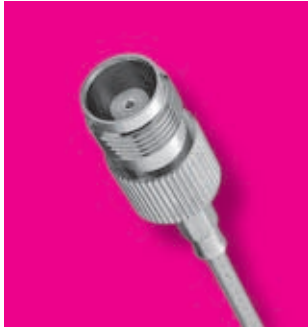
| P.N. | Cable Group | Finish | Insulation | Impedance | Crimp Tool |
|-----------------|-------------|--------|------------|-----------|------------|
| Teflon/Captured | | | | | |
| 122130 | 02 | Nickel | Teflon | 50 | A |
| 122132 | 04 | Nickel | Teflon | 50 | A |
| 122133 | 04 | Nickel | Teflon | 75 | A |
| 122473 | 04A | Nickel | Teflon | 75 | A |



STRAIGHT CRIMP JACK — MINIATURE CABLE

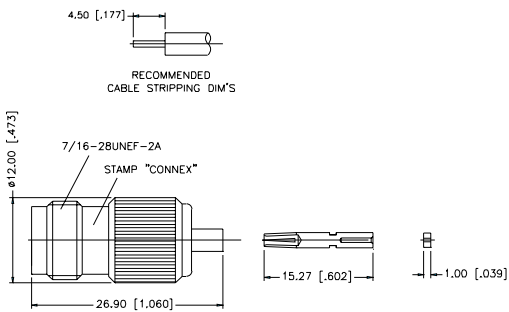
| P.N. | Cable Group | Finish | Insulation | Impedance | Crimp Tool |
|--------|-------------|--------|------------|-----------|------------|
| 122138 | 05 | Nickel | Delrin | 50 | B |
| 122377 | 05A | Nickel | Delrin | 50 | B |
| 122139 | 06 | Nickel | Delrin | 75 | B |
| 122449 | 06A | Nickel | Delrin | 75 | B |
| 122424 | 16 | Nickel | Delrin | 75 | B |

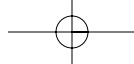
Remark: With teflon sleeve, Hex. crimp size .178"



STRAIGHT CRIMP JACK — SEMI-RIGID CABLE

| P.N. | Cable Group | Finish | Insulation | Impedance | Crimp Tool |
|--------|-------------|-------------|------------|-----------|------------|
| 122421 | 11 | Nickel/Gold | Teflon | 50 | N/A |
| 122423 | 10 | Nickel/Gold | Teflon | 50 | N/A |





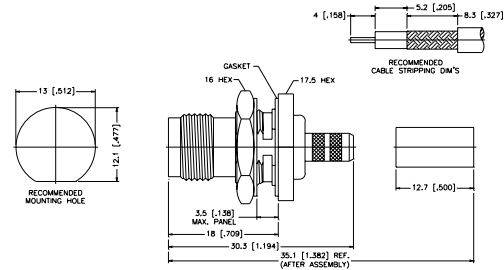
BULKHEAD JACK CRIMP ATTACHMENTS FOR FLEXIBLE AND SEMI-RIGID CABLE

For Cable Group Legend, see page 97

BULKHEAD CRIMP JACK — STANDARD CABLE

| P.N. | Cable Group | Finish | Insulation | Impedance | Crimp Tool |
|-----------------|-------------|--------|------------|-----------|------------|
| Teflon/Captured | | | | | |
| 122160 | 01 | Nickel | Teflon | 50 | A |
| 122162 | 03 | Nickel | Teflon | 50 | A |
| 122163 | 03 | Nickel | Teflon | 75 | A |
| 122363 | 01A | Nickel | Delrin | 50 | A |
| 122413 | 01B | Nickel | Delrin | 50 | A |
| 122415 | 07B | Nickel | Teflon | 50 | A |
| 122405 | 07C | Nickel | Delrin | 50 | L |
| 122382 | 08 | Nickel | Teflon | 75 | E |
| 122466 | 08A | Nickel | Teflon | 75 | A/H |
| 122425 | 19 | Nickel | Teflon | 75 | B |

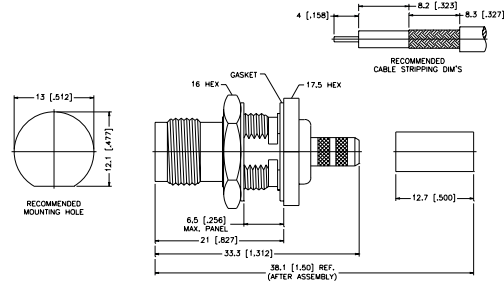
Remark: 3.5 [.138] Max. panel thickness



BULKHEAD CRIMP JACK — STANDARD CABLE

| P.N. | Cable Group | Finish | Insulation | Impedance | Crimp Tool |
|-----------------|-------------|--------|------------|-----------|------------|
| Teflon/Captured | | | | | |
| 122168 | 01 | Nickel | Teflon | 50 | A |
| 122170 | 03 | Nickel | Teflon | 50 | A |
| 122171 | 03 | Nickel | Teflon | 75 | A |

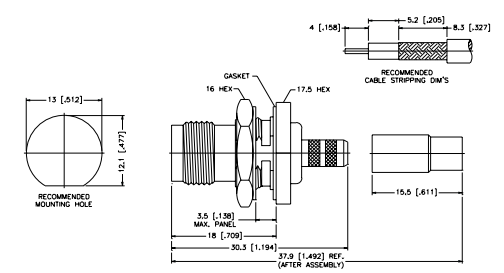
Remark: 6.5 [.256] Max. panel thickness



BULKHEAD CRIMP JACK — PLENUM CABLE

| P.N. | Cable Group | Finish | Insulation | Impedance | Crimp Tool |
|-----------------|-------------|--------|------------|-----------|------------|
| Teflon/Captured | | | | | |
| 122176 | 02 | Nickel | Teflon | 50 | A |
| 122178 | 04 | Nickel | Teflon | 50 | A |
| 122179 | 04 | Nickel | Teflon | 75 | A |

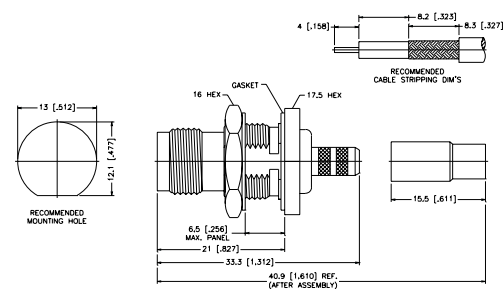
Remark: 3.5 [.138] Max. panel thickness



BULKHEAD CRIMP JACK — PLENUM CABLE

| P.N. | Cable Group | Finish | Insulation | Impedance | Crimp Tool |
|-----------------|-------------|--------|------------|-----------|------------|
| Teflon/Captured | | | | | |
| 122184 | 02 | Nickel | Teflon | 50 | B |
| 122186 | 04 | Nickel | Teflon | 50 | B |
| 122187 | 04 | Nickel | Teflon | 75 | B |

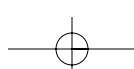
Remark: 6.5 [.256] Max. panel thickness



TNC COAXIAL CONNECTORS



For Reverse Polarized connectors, add RP to standard part number. Contact Connex marketing for availability.
 For Reverse Threaded connectors, add RT to standard part number. Contact Connex marketing for availability.
 For Crimp Tool information, see page 183.



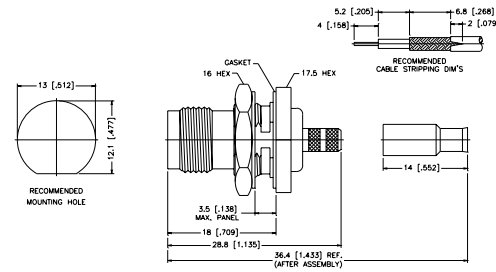
BULKHEAD JACK CRIMP ATTACHMENTS FOR FLEXIBLE AND SEMI-RIGID CABLE

For Cable Group Legend, see page 97

BULKHEAD CRIMP JACK — MINIATURE CABLE

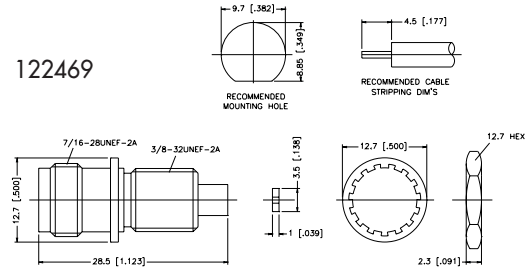
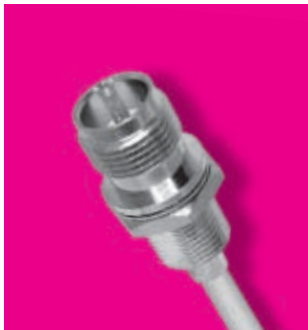
| P.N. | Cable Group | Finish | Insulation | Impedance | Crimp Tool |
|----------------------|-------------|--------|------------|-----------|------------|
| 122192 | 05 | Nickel | Delrin | 50 | B |
| 122428 | 05 | Nickel | Teflon | 50 | B |
| FOR 6.5 [.256] PANEL | | | | | |
| 122358 | 05A | Nickel | Delrin | 50 | B |
| 122193 | 06 | Nickel | Delrin | 75 | B |
| 122450 | 06A | Nickel | Delrin | 75 | B |
| 122370 | 14 | Nickel | Delrin | 50 | B |
| 122403 | 14 | Nickel | Delrin | 50 | B |
| FOR 6.5 [.256] PANEL | | | | | |
| 122441 | 16 | Nickel | Teflon | 75 | B |

Remark: With teflon sleeve, Hex. crimp size .178", 3.5 [.138] Max. panel thickness



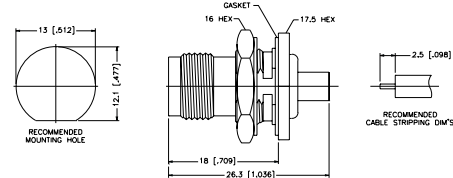
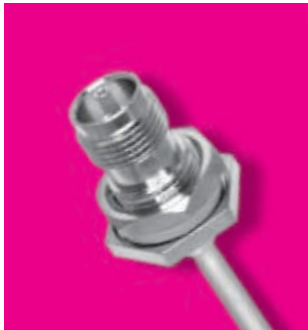
BULKHEAD SOLDER JACK — SEMI-RIGID CABLE — FRONT MOUNT

| P.N. | Cable Group | Finish | Insulation | Impedance | Crimp Tool |
|-------------|-------------|-------------|------------|-----------|------------|
| 122406 | 10 | Nickel/Gold | Teflon | 50 | N/A |
| 122469 | 10 | Nickel/Gold | Teflon | 50 | N/A |
| FRONT MOUNT | | | | | |



BULKHEAD SOLDER JACK — SEMI-RIGID CABLE — REAR MOUNT

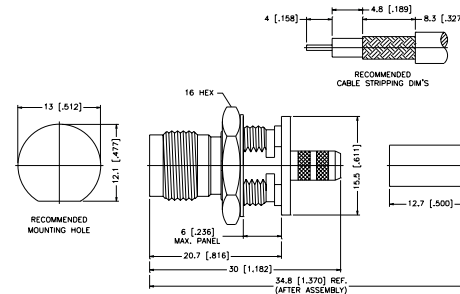
| P.N. | Cable Group | Finish | Insulation | Impedance | Crimp Tool |
|-------------|-------------|-------------|------------|-----------|------------|
| 122401 | 10 | Nickel/Gold | Teflon | 50 | N/A |
| 122400 | 11 | Nickel/Gold | Teflon | 50 | N/A |
| 122463 | 11 | Nickel/Gold | Teflon | 75 | N/A |
| FRONT MOUNT | | | | | |

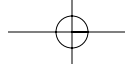


BULKHEAD ISOLATED CRIMP JACK — STANDARD CABLE

| P.N. | Cable Group | Finish | Insulation | Impedance | Crimp Tool |
|--------|-------------|--------|------------|-----------|------------|
| 122202 | 01 | Nickel | Teflon | 50 | A |
| 122204 | 03 | Nickel | Teflon | 50 | A |
| 122205 | 03 | Nickel | Teflon | 75 | A |

Remark: 6.0 [.236] Max. panel thickness





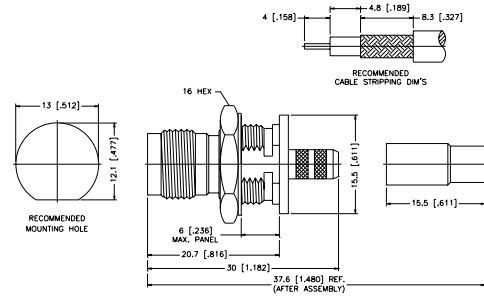
BULKHEAD JACK CRIMP ATTACHMENTS FOR FLEXIBLE AND SEMI-RIGID CABLE

For Cable Group Legend, see page 97

BULKHEAD ISOLATED CRIMP JACK — PLENUM CABLE

| P.N. | Cable Group | Finish | Insulation | Impedance | Crimp Tool |
|--------|-------------|--------|------------|-----------|------------|
| 122194 | 02 | Nickel | Teflon | 50 | A |
| 122196 | 04 | Nickel | Teflon | 50 | A |
| 122197 | 04 | Nickel | Teflon | 75 | A |

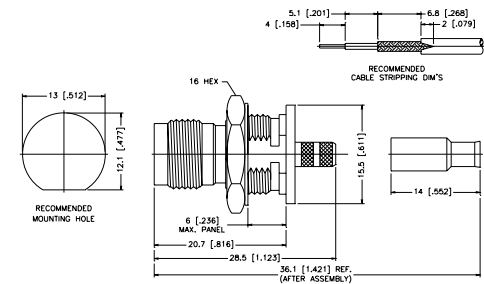
Remark: 6.0 [.236] Max. panel thickness



BULKHEAD ISOLATED CRIMP JACK — MINIATURE CABLE

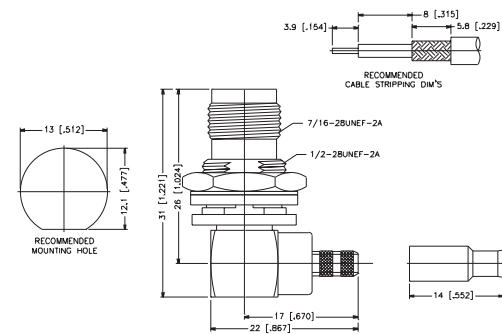
| P.N. | Cable Group | Finish | Insulation | Impedance | Crimp Tool |
|--------|-------------|--------|------------|-----------|------------|
| 122210 | 05 | Nickel | Teflon | 50 | B |
| 122211 | 06 | Nickel | Teflon | 75 | B |

Remark: With teflon sleeve, Hex. crimp size .178", 6.0 [.236] Max. panel thickness

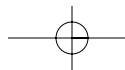
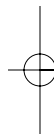


RIGHT ANGLE BULKHEAD CRIMP JACK

| P.N. | Cable Group | Finish | Insulation | Impedance | Crimp Tool |
|--------|-------------|--------|------------|-----------|------------|
| 122454 | 05 | Nickel | Teflon | 50 | B |



TNC COAXIAL CONNECTORS



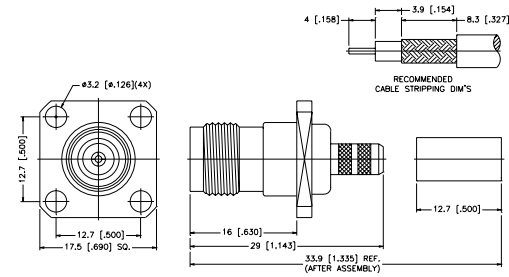
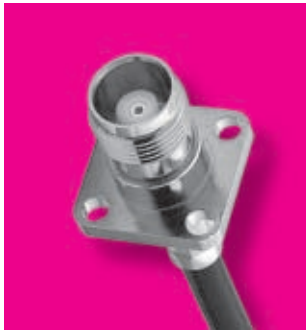
PANEL JACK CRIMP ATTACHMENTS FOR FLEXIBLE AND SEMI-RIGID CABLE/RECEPTACLE

For Cable Group Legend, see page 97

PANEL CRIMP JACK — STANDARD CABLE

| P.N. | Cable Group | Finish | Insulation | Impedance | Crimp Tool |
|--------------------|-------------|--------|------------|-----------|------------|
| Teflon/Captured | | | | | |
| 122230 | 01 | Nickel | Teflon | 50 | A |
| 122232 | 03 | Nickel | Teflon | 50 | A |
| 122233 | 03 | Nickel | Teflon | 75 | A |
| 122374 | 01A | Nickel | Teflon | 50 | A |
| Delrin/Noncaptured | | | | | |
| 122234 | 01 | Nickel | Delrin | 50 | A |
| 122236 | 03 | Nickel | Delrin | 50 | A |
| 122237 | 03 | Nickel | Delrin | 75 | A |

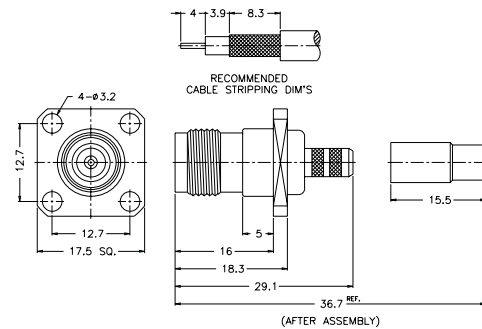
Remark: 5.0 [.197] Max. panel thickness



PANEL CRIMP JACK — PLENUM CABLE

| P.N. | Cable Group | Finish | Insulation | Impedance | Crimp Tool |
|-----------------|-------------|--------|------------|-----------|------------|
| Teflon/Captured | | | | | |
| 122238 | 02 | Nickel | Teflon | 50 | A |
| 122240 | 04 | Nickel | Teflon | 50 | A |
| 122241 | 04 | Nickel | Teflon | 75 | A |

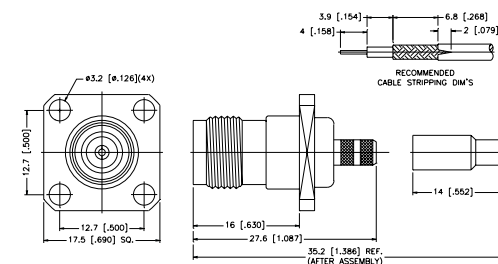
Remark: 5.0 [.197] Max. panel thickness



PANEL CRIMP JACK — MINIATURE CABLE

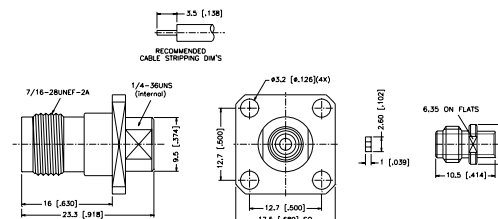
| P.N. | Cable Group | Finish | Insulation | Impedance | Crimp Tool |
|--------|-------------|--------|------------|-----------|------------|
| 122246 | 05 | Nickel | Delrin | 50 | B |
| 122379 | 05A | Nickel | Delrin | 50 | B |
| 122247 | 06 | Nickel | Delrin | 75 | B |
| 122442 | 14 | Nickel | Delrin | 50 | B |
| 122460 | 16 | Nickel | Delrin | 75 | B |

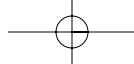
Remark: With teflon sleeve, Hex. crimp size .178", 5.0 [.197] Max. panel thickness



PANEL SOLDER JACK — SEMI-RIGID CABLE

| P.N. | Cable Group | Finish | Insulation | Impedance | Crimp Tool |
|--------|-------------|-------------|------------|-----------|------------|
| 122419 | 10 | Nickel/Gold | Teflon | 50 | N/A |
| 122389 | 11 | Nickel/Gold | Teflon | 50 | N/A |



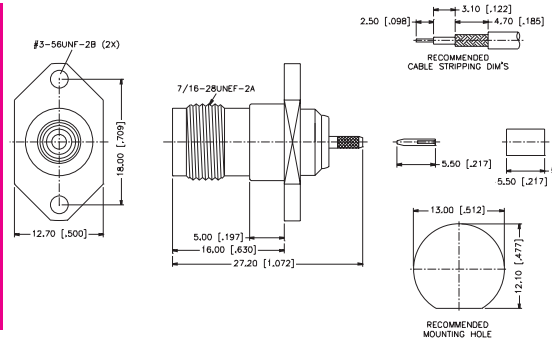


PANEL JACK CRIMP ATTACHMENTS FOR FLEXIBLE AND SEMI-RIGID CABLE/RECEPTACLE

For Cable Group Legend, see page 97

2-HOLE FLANGE PANEL JACK (REVERSE POLARIZED) — THREADED HOLES

| P.N. | Cable Group | Finish | Insulation | Impedance | Crimp Tool |
|----------|-------------|--------|------------|-----------|------------|
| 122458RP | 05 | Nickel | Teflon | 50 | B |
| 122459RP | 14 | Nickel | Teflon | 50 | B |

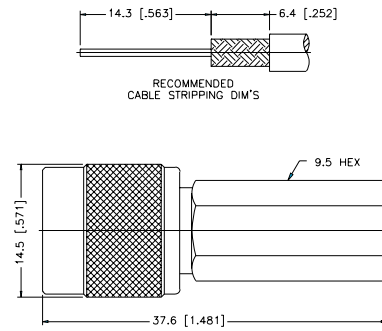


TWIST-ON ATTACHMENTS FOR FLEXIBLE CABLE

TWIST-ON PLUG

| P.N. | Cable Group | Finish | Insulation | Impedance | Crimp Tool |
|--------|-------------|--------|------------|-----------|------------|
| 122250 | 01 | Nickel | Delrin | 50 | N/A |
| 122252 | 03 | Nickel | Delrin | 50 | N/A |
| 122253 | 03 | Nickel | Delrin | 75 | N/A |
| 122254 | 02 | Nickel | Delrin | 50 | N/A |
| 122256 | 04 | Nickel | Delrin | 50 | N/A |
| 122257 | 04 | Nickel | Delrin | 75 | N/A |

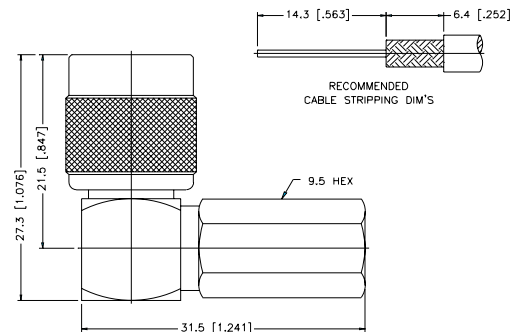
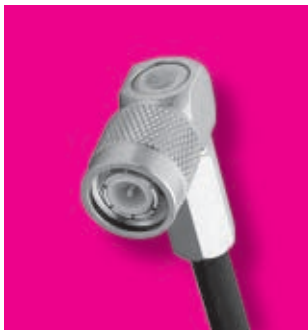
Remark: Only for solid center conductor cable



RIGHT ANGLE TWIST-ON PLUG

| P.N. | Cable Group | Finish | Insulation | Impedance | Crimp Tool |
|--------|-------------|--------|------------|-----------|------------|
| 122266 | 01 | Nickel | Delrin | 50 | N/A |
| 122268 | 03 | Nickel | Delrin | 50 | N/A |
| 122269 | 03 | Nickel | Delrin | 75 | N/A |
| 122270 | 02 | Nickel | Delrin | 50 | N/A |
| 122272 | 04 | Nickel | Delrin | 50 | N/A |
| 122273 | 04 | Nickel | Delrin | 75 | N/A |

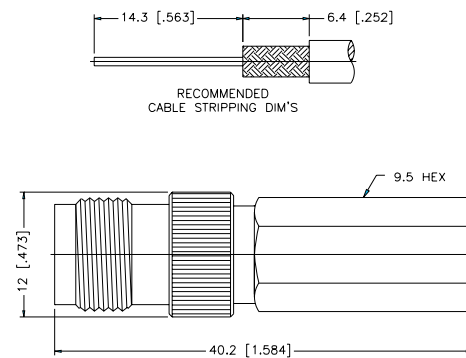
Remark: Only for solid center conductor cable



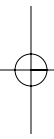
TWIST-ON JACK

| P.N. | Cable Group | Finish | Insulation | Impedance | Crimp Tool |
|--------|-------------|--------|------------|-----------|------------|
| 122258 | 01 | Nickel | Delrin | 50 | N/A |
| 122260 | 03 | Nickel | Delrin | 50 | N/A |
| 122261 | 03 | Nickel | Delrin | 75 | N/A |
| 122262 | 02 | Nickel | Delrin | 50 | N/A |
| 122264 | 04 | Nickel | Delrin | 50 | N/A |
| 122265 | 04 | Nickel | Delrin | 75 | N/A |

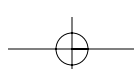
Remark: Only for solid center conductor cable

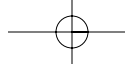


TNC COAXIAL CONNECTORS



For Reverse Polarized connectors, add RP to standard part number. Contact Connex marketing for availability.
 For Reverse Threaded connectors, add RT to standard part number. Contact Connex marketing for availability.
 For Crimp Tool information, see page 183.





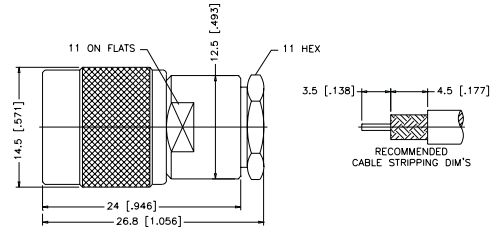
CLAMP ATTACHMENTS FOR FLEXIBLE CABLE

For Cable Group Legend, see page 97

STRAIGHT CLAMP PLUG — CAPTIVE CONTACT

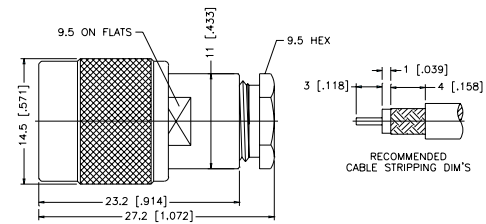
| P.N. | Cable Group | Finish | Insulation | Impedance | Crimp Tool |
|--------|-------------|--------|------------|-----------|------------|
| 122274 | 01 | Nickel | Delrin | 50 | N/A |
| 122276 | 03 | Nickel | Delrin | 50 | N/A |
| 122277 | 03 | Nickel | Delrin | 75 | N/A |
| 122278 | 02 | Nickel | Delrin | 50 | N/A |
| 122280 | 04 | Nickel | Delrin | 50 | N/A |
| 122281 | 04 | Nickel | Delrin | 75 | N/A |
| 122381 | 07 | Nickel | Teflon | 50 | N/A |
| 122397 | 07C | Nickel | Teflon | 50 | N/A |

Remark: Barrel O.D., 12.5 mm



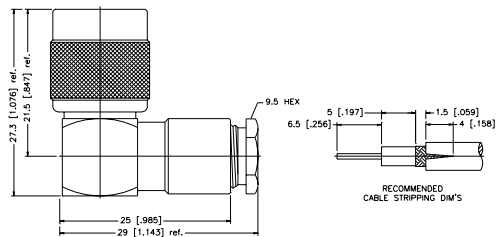
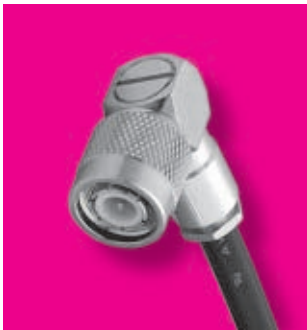
STRAIGHT CLAMP PLUG

| P.N. | Cable Group | Finish | Insulation | Impedance | Crimp Tool |
|--------|-------------|--------|------------|-----------|------------|
| 122282 | 01 | Nickel | Delrin | 50 | N/A |
| 122284 | 03 | Nickel | Delrin | 50 | N/A |
| 122285 | 03 | Nickel | Delrin | 75 | N/A |
| 122402 | 05 | Nickel | Delrin | 50 | N/A |



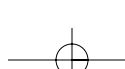
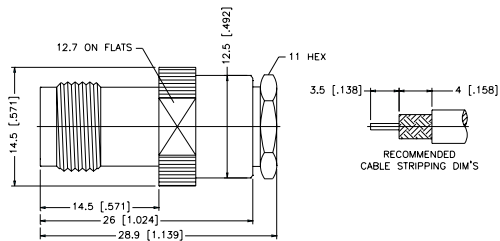
RIGHT ANGLE CLAMP PLUG

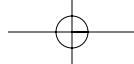
| P.N. | Cable Group | Finish | Insulation | Impedance | Crimp Tool |
|--------|-------------|--------|------------|-----------|------------|
| 122286 | 01 | Nickel | Delrin | 50 | N/A |
| 122288 | 03 | Nickel | Delrin | 50 | N/A |
| 122289 | 03 | Nickel | Delrin | 75 | N/A |
| 122290 | 02 | Nickel | Delrin | 50 | N/A |
| 122292 | 04 | Nickel | Delrin | 50 | N/A |
| 122293 | 04 | Nickel | Delrin | 75 | N/A |



STRAIGHT CLAMP JACK — CAPTIVE CONTACT

| P.N. | Cable Group | Finish | Insulation | Impedance | Crimp Tool |
|--------|-------------|--------|------------|-----------|------------|
| 122294 | 01 | Nickel | Teflon | 50 | N/A |
| 122296 | 03 | Nickel | Teflon | 50 | N/A |
| 122297 | 03 | Nickel | Teflon | 75 | N/A |
| 122298 | 02 | Nickel | Teflon | 50 | N/A |
| 122300 | 04 | Nickel | Teflon | 50 | N/A |
| 122301 | 04 | Nickel | Teflon | 75 | N/A |
| 122446 | 07 | Nickel | Teflon | 50 | N/A |



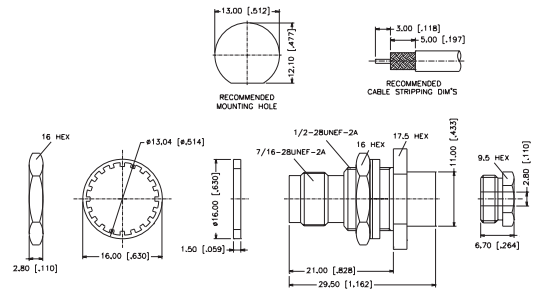
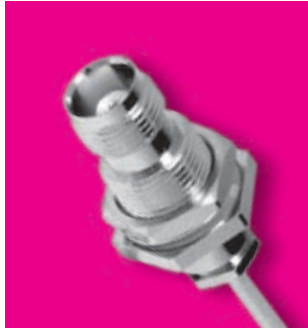


CLAMP ATTACHMENTS FOR FLEXIBLE CABLE

For Cable Group Legend, see page 97

BULKHEAD CLAMP JACK

| P.N. | Cable Group | Finish | Insulation | Impedance | Crimp Tool |
|--------|-------------|--------|------------|-----------|------------|
| 122452 | 05 | Nickel | Teflon | 50 | N/A |



TNC COAXIAL CONNECTORS

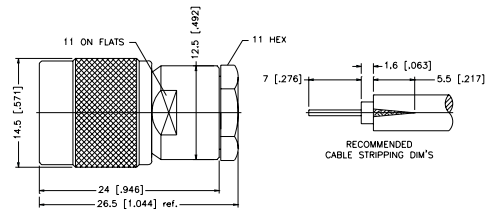


WEDGE COMPRESSION ATTACHMENTS FOR FLEXIBLE CABLE

WEDGE COMPRESSION PLUG

| P.N. | Cable Group | Finish | Insulation | Impedance | Crimp Tool |
|--------|-------------|--------|------------|-----------|------------|
| 122302 | 01 | Nickel | Delrin | 50 | N/A |
| 122304 | 03 | Nickel | Delrin | 50 | N/A |
| 122305 | 03 | Nickel | Delrin | 75 | N/A |
| 122306 | 02 | Nickel | Delrin | 50 | N/A |
| 122308 | 04 | Nickel | Delrin | 50 | N/A |
| 122309 | 04 | Nickel | Delrin | 75 | N/A |

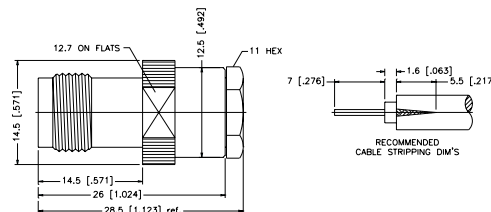
Remark: With wedge pin



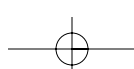
WEDGE COMPRESSION JACK

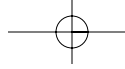
| P.N. | Cable Group | Finish | Insulation | Impedance | Crimp Tool |
|--------|-------------|--------|------------|-----------|------------|
| 122310 | 01 | Nickel | Teflon | 50 | N/A |
| 122312 | 03 | Nickel | Teflon | 50 | N/A |
| 122313 | 03 | Nickel | Teflon | 75 | N/A |
| 122314 | 02 | Nickel | Teflon | 50 | N/A |
| 122316 | 04 | Nickel | Teflon | 50 | N/A |
| 122317 | 04 | Nickel | Teflon | 75 | N/A |

Remark: With wedge contact



For Reverse Polarized connectors, add RP to standard part number. Contact Connex marketing for availability.
 For Reverse Threaded connectors, add RT to standard part number. Contact Connex marketing for availability.
 For Crimp Tool information, see page 183.



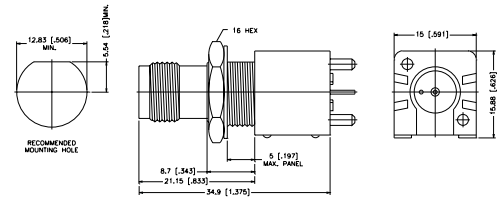


PRINTED CIRCUIT BOARD/STRAIGHT R/A TERMINALS

For Cable Group Legend, see page 97

COMMERCIAL STRAIGHT PCB MOUNT JACK

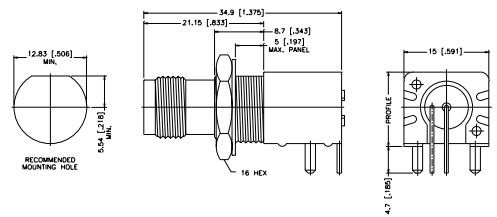
| P.N. | Cable Group | Finish | Insulation | Impedance | Crimp Tool |
|----------------------|-------------|--------|---------------|-----------|------------|
| White Housing | | | | | |
| 122318 | N/A | Nickel | Polypropylene | 50 | N/A |
| 122319 | N/A | Nickel | Polypropylene | 75 | N/A |
| Black Housing | | | | | |
| 122320 | N/A | Nickel | Polypropylene | 50 | N/A |
| 122321 | N/A | Nickel | Polypropylene | 75 | N/A |
| 122383 | N/A | Nickel | Diecast body | 50 | N/A |



Mounting Hole Dia. see "TYPE G" page 185

COMMERCIAL RIGHT ANGLE PCB MOUNT JACK

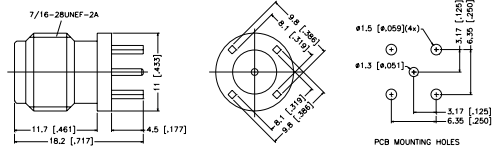
| P.N. | Cable Group | Finish | Insulation | Impedance | Crimp Tool |
|-------------------------------------|-------------|--------|---------------|-----------|------------|
| High Profile, 15.88 mm White | | | | | |
| 122322 | N/A | Nickel | Polypropylene | 50 | N/A |
| 122323 | N/A | Nickel | Polypropylene | 75 | N/A |
| High Profile, 15.88 mm Black | | | | | |
| 122324 | N/A | Nickel | Polypropylene | 50 | N/A |
| 122325 | N/A | Nickel | Polypropylene | 75 | N/A |
| 122384 | N/A | Nickel | Diecast body | 50 | N/A |
| Low Profile, 13.1 mm White | | | | | |
| 122326 | N/A | Nickel | Polypropylene | 50 | N/A |
| 122327 | N/A | Nickel | Polypropylene | 75 | N/A |
| Low Profile, 13.1 mm Black | | | | | |
| 122328 | N/A | Nickel | Polypropylene | 50 | N/A |
| 122329 | N/A | Nickel | Polypropylene | 75 | N/A |



Mounting Hole Dia. see "TYPE H" page 185

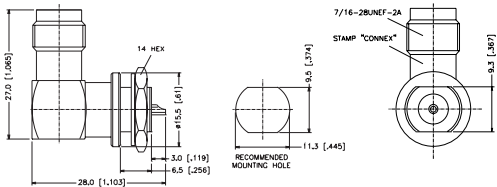
STRAIGHT PCB MOUNT RECEPTACLE JACK

| P.N. | Cable Group | Finish | Insulation | Impedance | Crimp Tool |
|--------|-------------|--------|------------|-----------|------------|
| 122440 | N/A | Nickel | Teflon | 50 | N/A |
| 122439 | N/A | Nickel | Teflon | 75 | N/A |

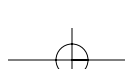


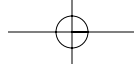
RIGHT ANGLE BULKHEAD RECEPTACLE

| P.N. | Cable Group | Finish | Insulation | Impedance | Crimp Tool |
|--------|-------------|--------|------------|-----------|------------|
| 122368 | N/A | Nickel | Teflon | 50 | N/A |



For Reverse Polarized connectors, add RP to standard part number. Contact Connex marketing for availability.
 For Reverse Threaded connectors, add RT to standard part number. Contact Connex marketing for availability.
 For Crimp Tool information, see page 183.





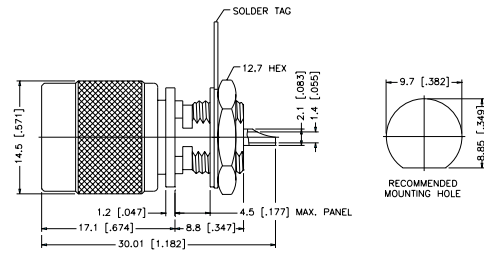
BULKHEAD RECEPTACLE/SOLDER POT TERMINALS

For Cable Group Legend, see page 97

BULKHEAD RECEPTACLE PLUG

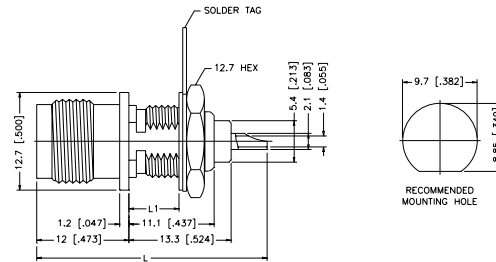
| P.N. | Cable Group | Finish | Insulation | Impedance | Crimp Tool |
|--------|-------------|--------|------------|-----------|------------|
| 122330 | N/A | Nickel | Delrin | 50 | N/A |
| 122331 | N/A | Nickel | Delrin | 75 | N/A |

Remark: 4.5 [.177] Max. panel thickness



BULKHEAD RECEPTACLE JACK

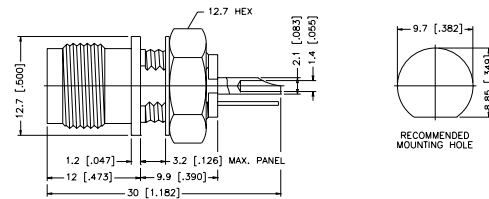
| P.N. | Cable Group | Finish | Insulation | Impedance | Crimp Tool |
|--|-------------|--------|------------|-----------|------------|
| L = 3.2 [.126] panel thickness, L = 26.7 [1.05] | | | | | |
| 122332 | N/A | Nickel | Delrin | 50 | N/A |
| 122333 | N/A | Nickel | Delrin | 75 | N/A |
| L = 6.5 [.256] panel thickness, L = 30.0 [1.18] | | | | | |
| 122334 | N/A | Nickel | Delrin | 50 | N/A |
| 122335 | N/A | Nickel | Delrin | 75 | N/A |
| L1 = 9.5 [.374] panel thickness, L = 33.0 [1.30] | | | | | |
| 122336 | N/A | Nickel | Delrin | 50 | N/A |
| 122337 | N/A | Nickel | Delrin | 75 | N/A |



BULKHEAD RECEPTACLE ISOLATED JACK

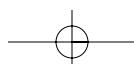
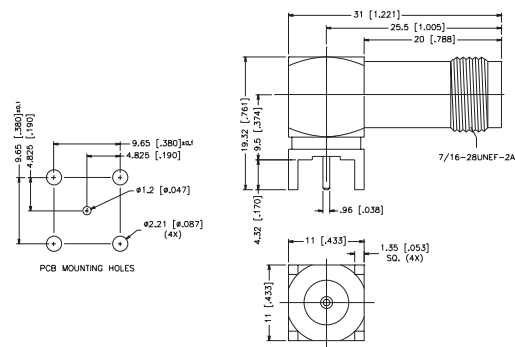
| P.N. | Cable Group | Finish | Insulation | Impedance | Crimp Tool |
|--------|-------------|--------|------------|-----------|------------|
| 122338 | N/A | Nickel | Nylon | 50 | N/A |
| 122339 | N/A | Nickel | Nylon | 75 | N/A |

Remark: Isolated from ground,
3.2 [.126] Max. panel thickness



RIGHT ANGLE PCB MOUNT RECEPTACLE — METAL BODY

| P.N. | Cable Group | Finish | Insulation | Impedance | Crimp Tool |
|--------|-------------|--------|------------|-----------|------------|
| 122462 | N/A | Nickel | Teflon | 50 | N/A |



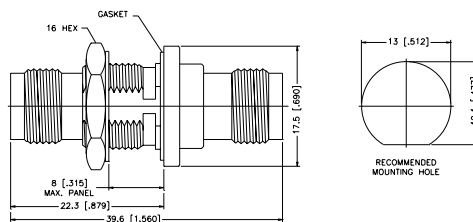
BULKHEAD FEEDTHROUGH ADAPTERS

For Cable Group Legend, see page 97

JACK-TO-JACK BULKHEAD ADAPTER

| P.N. | Cable Group | Finish | Insulation | Impedance | Crimp Tool |
|--------|-------------|--------|------------|-----------|------------|
| 122340 | N/A | Nickel | Delrin | 50 | N/A |
| 122341 | N/A | Nickel | Delrin | 75 | N/A |

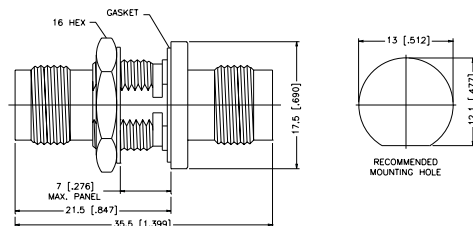
Remark: 8.0 mm Max. panel thickness



JACK-TO-JACK BULKHEAD ADAPTER

| P.N. | Cable Group | Finish | Insulation | Impedance | Crimp Tool |
|--------|-------------|--------|------------|-----------|------------|
| 122342 | N/A | Nickel | Delrin | 50 | N/A |
| 122343 | N/A | Nickel | Delrin | 75 | N/A |

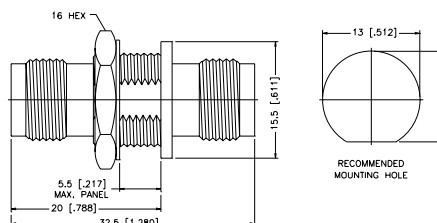
Remark: 7.0 mm Max. panel thickness



JACK-TO-JACK BULKHEAD ADAPTER

| P.N. | Cable Group | Finish | Insulation | Impedance | Crimp Tool |
|--------|-------------|--------|------------|-----------|------------|
| 122344 | N/A | Nickel | Delrin | 50 | N/A |
| 122345 | N/A | Nickel | Delrin | 75 | N/A |

Remark: Without gasket, 5.5 mm Max. panel thickness



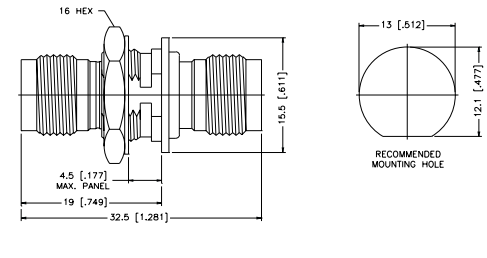
BULKHEAD FEEDTHROUGH ADAPTERS

For Cable Group Legend, see page 97

JACK-TO-JACK BULKHEAD — ISOLATED ADAPTER

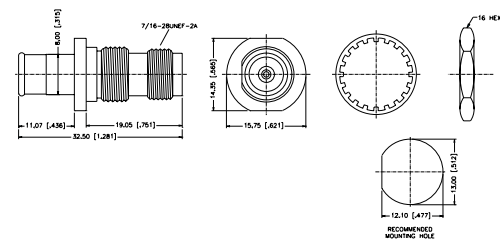
| P.N. | Cable Group | Finish | Insulation | Impedance | Crimp Tool |
|--------|-------------|--------|------------|-----------|------------|
| 122346 | N/A | Nickel | Delrin | 50 | N/A |
| 122347 | N/A | Nickel | Delrin | 75 | N/A |

Remark: With isolated bushing, 4.5 mm Max. panel thickness



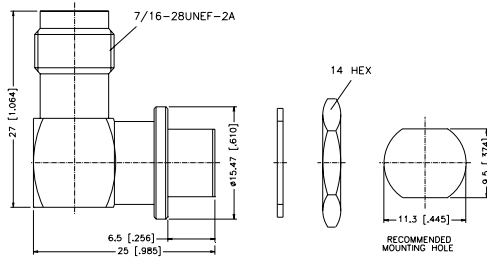
JACK-TO-PLUG BULKHEAD ADAPTER — PUSH ON

| P.N. | Cable Group | Finish | Insulation | Impedance | Crimp Tool |
|--------|-------------|--------|------------|-----------|------------|
| 122380 | N/A | Nickel | Teflon | 75 | N/A |



BULKHEAD RIGHT ANGLE TNC FEMALE TO MCX FEMALE ADAPTER

| P.N. | Cable Group | Finish | Insulation | Impedance | Crimp Tool |
|--------|-------------|--------|------------|-----------|------------|
| 122427 | N/A | Nickel | Teflon | 50 | N/A |

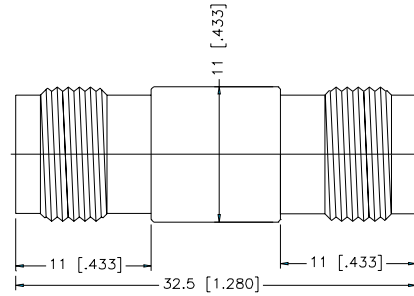


ADAPTERS

For Cable Group Legend, see page 97

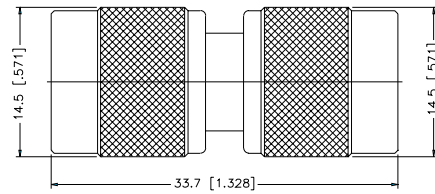
JACK-TO-JACK ADAPTER

| P.N. | Cable Group | Finish | Insulation | Impedance | Crimp Tool |
|--------|-------------|--------|------------|-----------|------------|
| 122348 | N/A | Nickel | Delrin | 50 | N/A |
| 122349 | N/A | Nickel | Delrin | 75 | N/A |



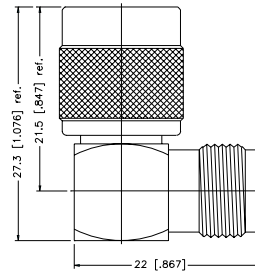
PLUG-TO-PLUG ADAPTER

| P.N. | Cable Group | Finish | Insulation | Impedance | Crimp Tool |
|--------|-------------|--------|------------|-----------|------------|
| 122350 | N/A | Nickel | Delrin | 50 | N/A |
| 122351 | N/A | Nickel | Delrin | 75 | N/A |



RIGHT ANGLE ADAPTER — PLUG-TO-JACK

| P.N. | Cable Group | Finish | Insulation | Impedance | Crimp Tool |
|--------|-------------|--------|------------|-----------|------------|
| 122352 | N/A | Nickel | Delrin | 50 | N/A |
| 122353 | N/A | Nickel | Delrin | 75 | N/A |

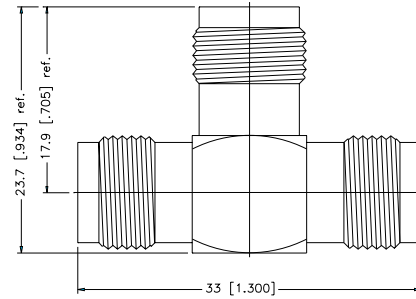


TEE ADAPTERS

For Cable Group Legend, see page 97

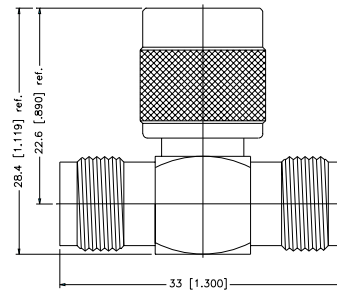
TEE ADAPTER — JACK-TO-JACK-TO-JACK

| P.N. | Cable Group | Finish | Insulation | Impedance | Crimp Tool |
|--------|-------------|--------|------------|-----------|------------|
| 122354 | N/A | Nickel | Delrin | 50 | N/A |
| 122355 | N/A | Nickel | Delrin | 75 | N/A |



TEE ADAPTER — JACK-TO-PLUG-TO-JACK

| P.N. | Cable Group | Finish | Insulation | Impedance | Crimp Tool |
|--------|-------------|--------|------------|-----------|------------|
| 122356 | N/A | Nickel | Delrin | 50 | N/A |
| 122357 | N/A | Nickel | Delrin | 75 | N/A |

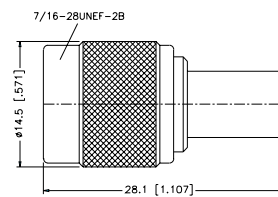


TERMINATORS

For Cable Group Legend, see page 97

TNC TERMINATOR PLUG

| P.N. | Cable Group | Finish | Insulation | Impedance | Crimp Tool |
|--------|-------------|--------|------------|-----------|------------|
| 202117 | N/A | Nickel | Delrin | 50 | N/A |
| 202118 | N/A | Nickel | Delrin | 75 | N/A |



TNC COAXIAL CONNECTORS

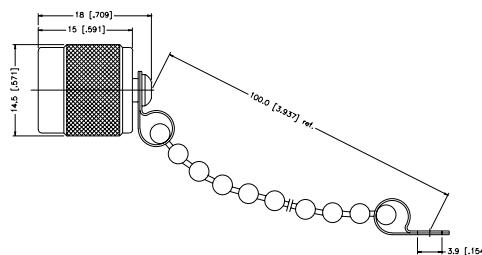


ACCESSORIES

TNC MALE CAP & CHAIN

| P.N. | Cable Group | Finish | Insulation | Impedance | Crimp Tool |
|--------|-------------|--------|------------|-----------|------------|
| 202101 | N/A | Nickel | N/A | N/A | N/A |

Remark: Chain Length 100 mm



For Reverse Polarized connectors, add RP to standard part number. Contact Connex marketing for availability.
 For Reverse Threaded connectors, add RT to standard part number. Contact Connex marketing for availability.
 For Crimp Tool information, see page 183.

