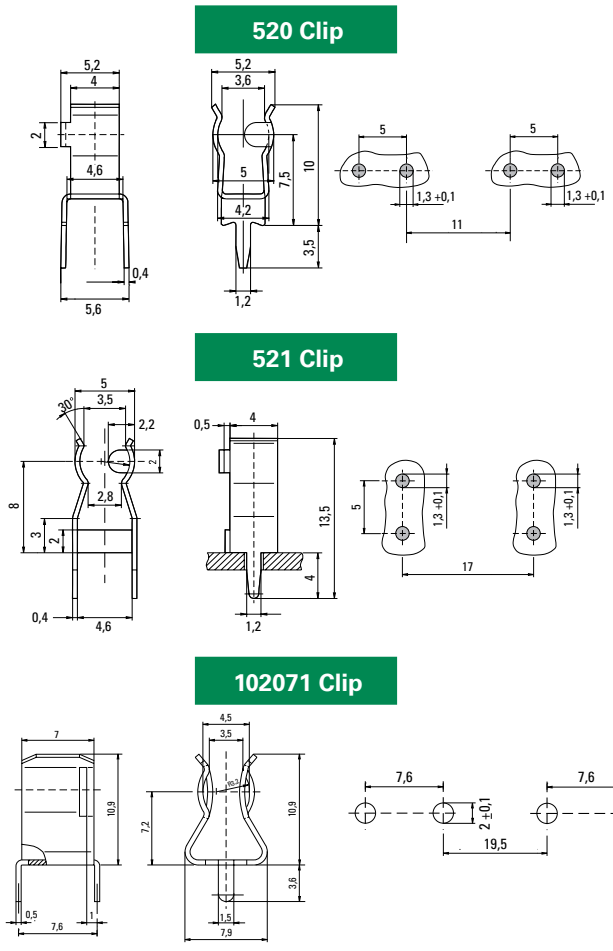


RoHS Pb **520/521/102071 Series, clips**



Product Dimensions



Product Characteristics

	520 Clip	521 Clip	102071 Clip
Compatible Fuse Size	5mm Diameter		6.3mm Diameter
Electrical Data (23°C)	Rated Voltage: 250V		Rated Voltage: 500V
	Max. Current/Power: 6.3A/2.5W		Max. Current/Power: 10A/4W
Mounting	PC Board, 5mm pin spacing Solder pins 0.4 x 1.2mm		PC Board, 7.6 mm pin spacing Solder pins 0.5 x 1.5 mm
Solderability	235°C, 2 sec. (IEC 60068-2-20)		
Soldering Heat Resistance	260°C, 10 sec. (IEC 60068-2-20)		
Minimum Cross Section	Conducting path - 0.2mm ²		
Unit Weight		0.4g	0.9g
UL Agency Approval	N/A	N/A	N/A

Ordering Information

Ordering PN	Clip Material	Plating	Packaging Available
52000001009	Phos Bronze	Tin plated	Bulk 2000
52100001009	Phos Bronze	Tin plated	Bulk 2000
10207101009	Brass	Tin plated	Bulk 1000