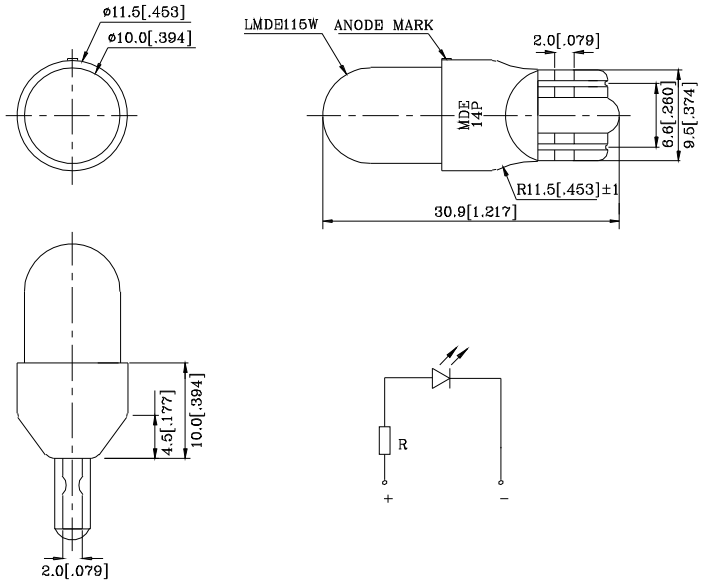


PRELIMINARY SPEC

Features

- BUILT-IN CURRENT LIMITING RESISTOR FOR DIRECT APPLICATION OF DIFFERENT ACROSS CURRENT.
- LONG LIFE.
- LOW CURRENT, POWER SAVINGS.
- LOW MAINTENANCE.
- SOLID STATE, HIGH VIBRATION RESISTANT.
- 14V INTERNAL RESISTOR.
- RoHS COMPLIANT.



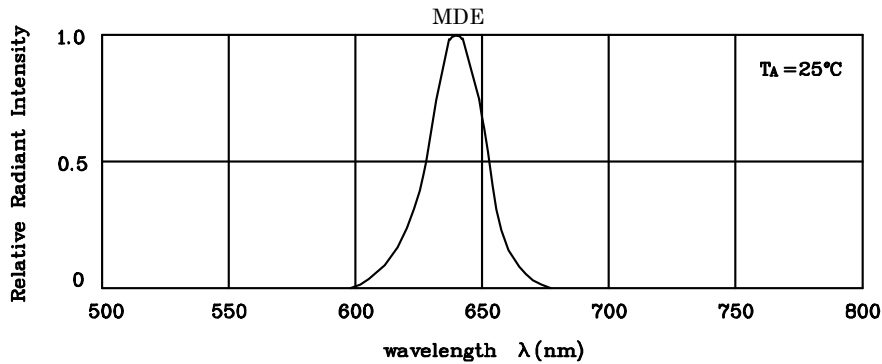
Notes:

1. All dimensions are in millimeters (inches).
2. Tolerance is ± 0.25(0.01") unless otherwise noted.
3. Specifications are subject to change without notice.

Absolute Maximum Ratings (TA=25°C)		MDE (InGaAlP)	Unit
Reverse Voltage	VR	5	V
Forward Voltage	VF	16	V
Power Dissipation	PT	320	mW
Operating Temperature	TA	-40 ~ +70	°C
Storage Temperature	Tstg	-40 ~ +85	

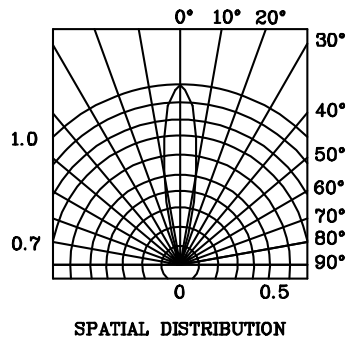
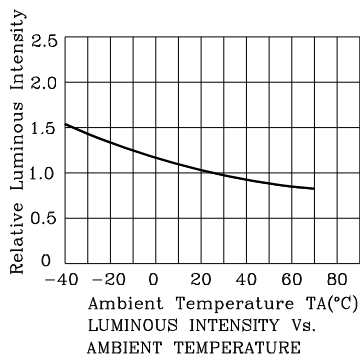
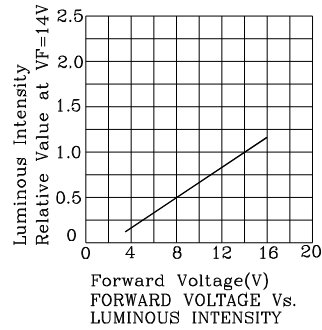
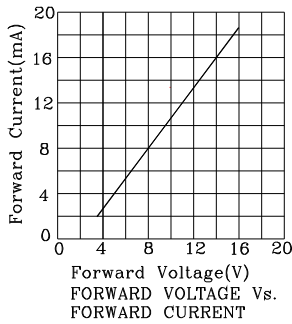
Operating Characteristics (TA=25°C)		MDE (InGaAlP)	Unit
Forward Current (Typ.) (VF=14V)	IF	16	mA
Forward Current (Max.) (VF=14V)	IF	20	mA
Reverse Current (Max.) (VR=5V)	IR	10	uA
Wavelength of Peak Emission (Typ.) (VF=14V)	λ P	640	nm
Wavelength of Dominant Emission (Typ.) (VF=14V)	λ D	630	nm
Spectral Line Full Width At Half-Maximum (Typ.) (VF=14V)	Δλ	25	nm

Part Number	Emitting Color	Emitting Material	Lens-color	Luminous Intensity (V=14V) mcd		Wavelength nm λ P	Viewing Angle 2 θ 1/2
				min.	typ.		
YWMDE101W14V	Red	InGaAlP	Water Clear	1500	2690	640	20°



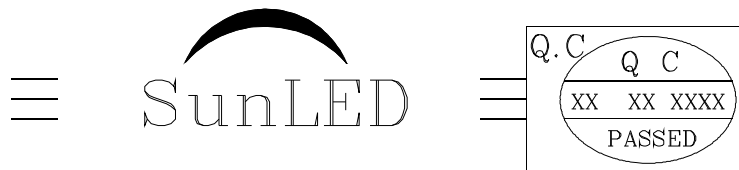
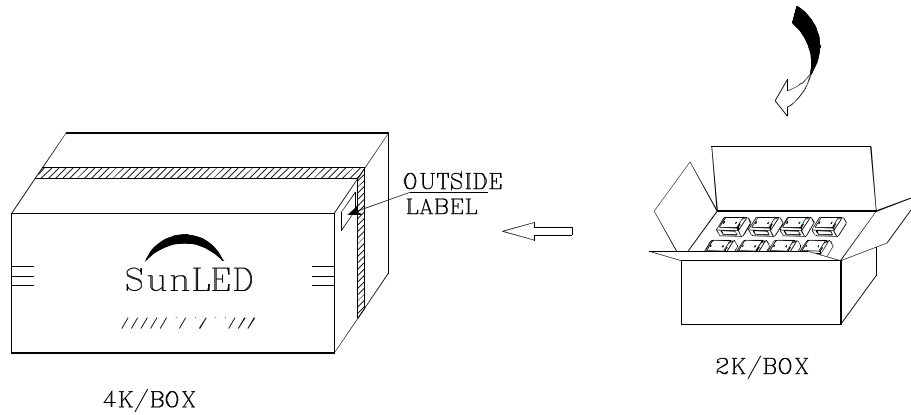
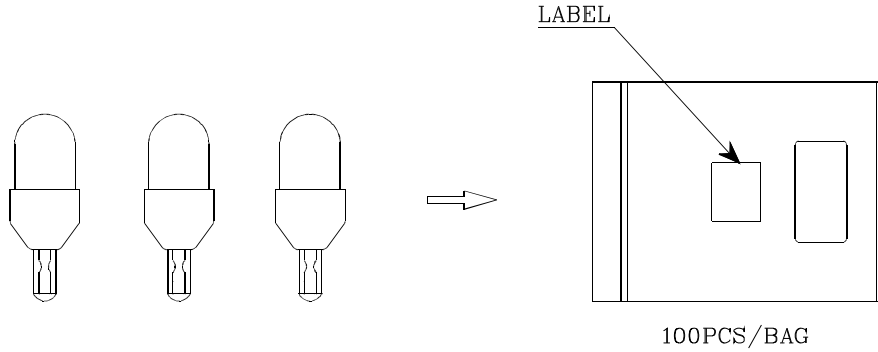
RELATIVE INTENSITY Vs. WAVELENGTH


❖ MDE



PACKING & LABEL SPECIFICATIONS

YWMDE101W14V



P/NO : YWxxx101x	
QTY : 100 pcs	CODE: XXX
S/N : XX	
LOT NO:	
 XXXXXXXXXXXXXXXXXXXX	
RoHS Compliant	