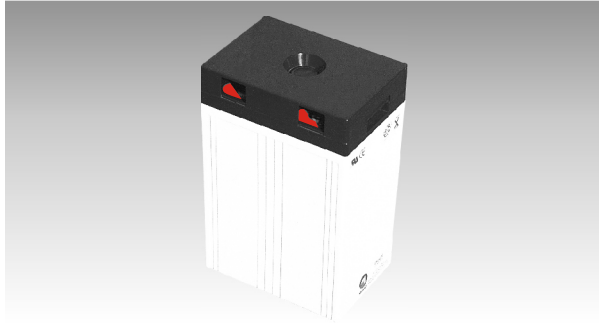
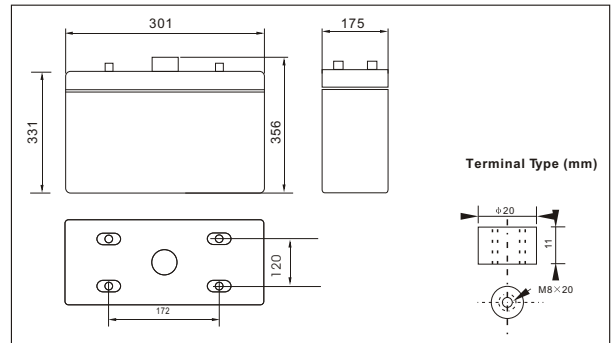




SWE26000(2V600AH)



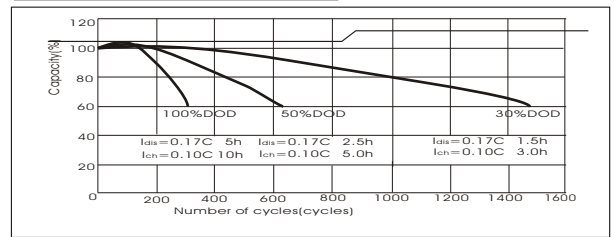
Outer dimensions (mm)



Specifications

Nominal Voltage		2 V
Rated capacity (10 hour rate)		600 Ah
Dimensions	Total Height	356 mm (14.0 inches)
	Height	331 mm (13.0 inches)
	Length	301 mm (11.9 inches)
	Width	175 mm (6.89 inches)
Weight Approx		39 Kg (86lbs)

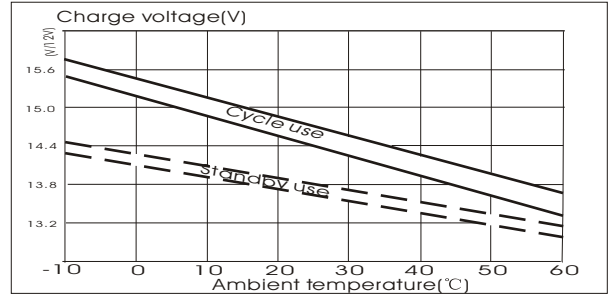
Curves of cycle life(25°C)



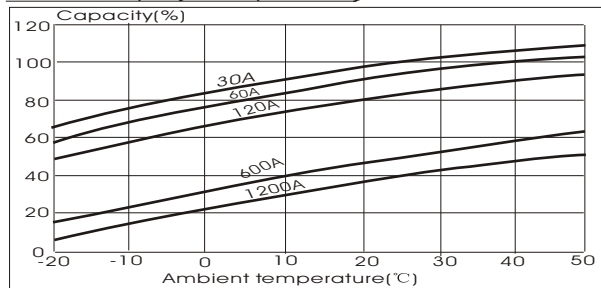
Characteristics

Capacity 25°C(77°F)	10 hour rate(60 A)	600 AH
	5 hour rate(96 A)	480 AH
1.5 hour discharge to 1.75 V		240 A
Internal Resistance	Full charged Battery at 25°C(77°F)	0.5 mΩ
Capacity affected by Temperature (10hour rate)	40°C(104°F)	102%
	25°C(77°F)	100%
	0°C(32°F)	85%
Self-Discharge at 25°C(77°F)	Capacity after 3 month storage	91%
	Capacity after 6 month storage	82%
	Capacity after 12 month storage	64%
Terminal		T20
Charge (constant Voltage)	Initial Charging Current less than 240 A	
	Cycle	Voltage 2.35-2.40V
	Float	Voltage 2.25-2.30V

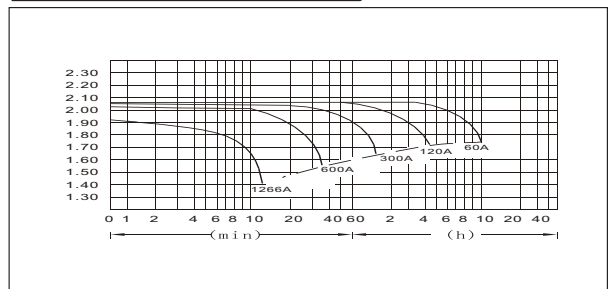
Curves of charge voltage and temperature



Curves of capacity and temperature



Discharge Curves 25°C(77°F)



Constant Current(Amp) and Constant Power(Watt) Discharge Table at 25°C(77°F)

Time		5min	10min	15min	30min	1h	2h	3h	4h	5h	8h	10h	20h
1.60V	A	1922	1266	1021	684.0	360.0	210.0	154.2	120.0	99.0	70.20	63.00	34.02
	W	19833	13521	10943	7354	3888	2306	1716	1350	1126	804	728	395.6
1.70V	A	1861	1142	961	654.0	338.4	200.4	150.0	117.0	97.2	68.40	61.80	33.00
	W	19878	12756	10756	7342	3827	2310	1737	1360	1133	800	726	387.1
1.75V	A	1801	1022	841	612.0	327.6	195.6	146.4	115.2	96.0	67.80	60.60	33.00
	W	19663	11624	9593	7043	3794	2269	1706	1348	1126	797	717	390.1
1.80V	A	1735	963	781	564.0	316.8	190.8	142.8	113.4	93.6	66.00	60.00	32.40
	W	19469	11105	8999	6535	3688	2235	1684	1339	1106	782	713	385.9
1.85V	A	1677	902	721	504.0	306.0	186.0	138.0	110.4	91.2	64.20	57.00	30.60
	W	19017	10450	8395	5897	3599	2199	1639	1315	1088	769	688.1	370.9