

SD103ATW

List

List..... 1

Package outline..... 2

Features..... 2

Mechanical data..... 2

Maximum ratings 2

Rating and characteristic curves..... 3

Pinning information..... 4

Marking..... 4

Suggested solder pad layout..... 4

Packing information..... 5

Reel packing..... 6

Suggested thermal profiles for soldering processes..... 6

High reliability test capabilities..... 7

SD103ATW

175mA Surface Mount Small Signal Schottky Diode Array-40V

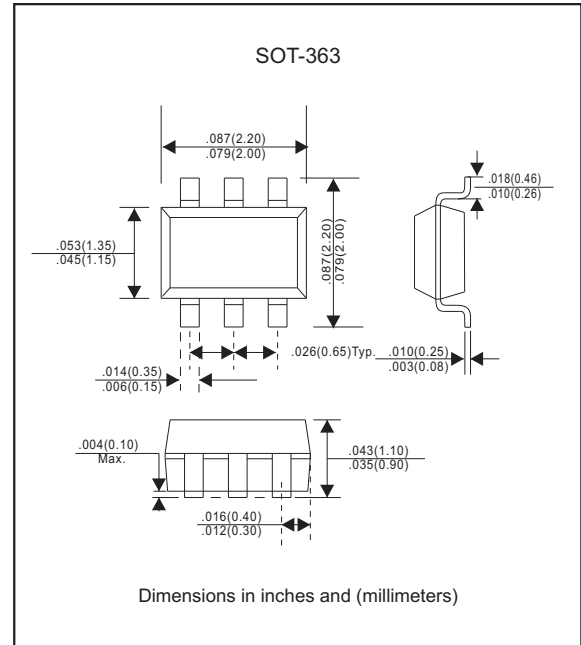
Features

- Fast switching.
- Small surface mount type.
- Up to 175mA current capability.
- Low forward voltage drop ($V_F = 0.5V$ typ. @100mA)
- Silicon epitaxial planar chip, metal silicon junction.
- Lead-free parts for green partner, exceeds environmental standards of MIL-STD-19500 /228
- High speed ($t_{rr} < 10$ ns)
- Suffix "-H" indicates Halogen-free part, ex. SD103ATW-H.

Mechanical data

- Epoxy:UL94-V0 rated flame retardant
- Case : Molded plastic, SOT-363
- Terminals : Solder plated, solderable per MIL-STD-750, Method 2026
- Mounting Position : Any
- Weight : Approximated 0.006 gram

Package outline



Maximum ratings and Electrical Characteristics (AT $T_A=25^{\circ}C$ unless otherwise noted)

PARAMETER	CONDITIONS	Symbol	MIN.	TYP.	MAX.	UNIT
Repetitive peak reverse voltage		V_{RRM}			40	V
Reverse voltage		V_R			30	V
Forward continuous current		I_{FM}			350	mA
Forward surge current	$t_p < 1s$	I_{FSM}			1000	mA
Average rectified current		I_O			175	mA
Power dissipation		P_D			200	mW
Thermal Resistance	Junction to ambient ,Note 1	$R_{\theta JA}$		500		$^{\circ}C/W$
Junction temperature		T_J	-55		+125	$^{\circ}C$
Storage temperature		T_{STG}	-65		+125	$^{\circ}C$
Forward voltage	$I_F = 20$ mA	V_F			0.370	V
	$I_F = 100$ mA	V_F			0.500	V
Reverse current	$V_R = 10$ V	I_R			2.0	μA
	$V_R = 30$ V	I_R			5.0	μA
Diode capacitance	$V_R = 0$ V, $f = 1$ MHz	C_T		50.0		pF
Reverse recovery time	$I_F = 200$ mA, $I_{RR} = 0.1 \times I_{R1}$, $R_L = 100 \Omega$	t_{rr}		10		ns

Note 1. Device mounted on FR-4 PCB, 1 inch x0.85 inchx 0.062 inch.

Rating and characteristic curves for each diode (SD103ATW)

FIG.1-TYPICAL FORWARD CHARACTERISTICS

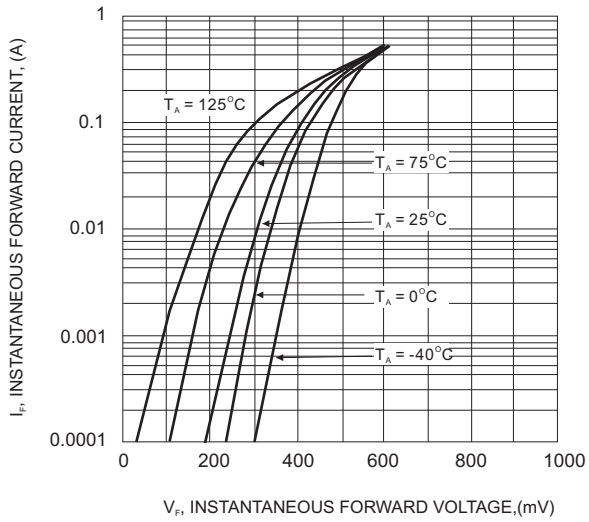


FIG.2 - TYPICAL REVERSE CHARACTERISTICS

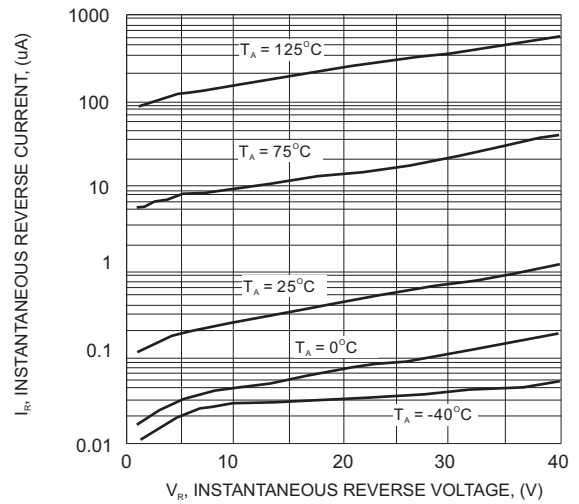


FIG.3-TYPICAL CAPACITANCE CAPACITANCE

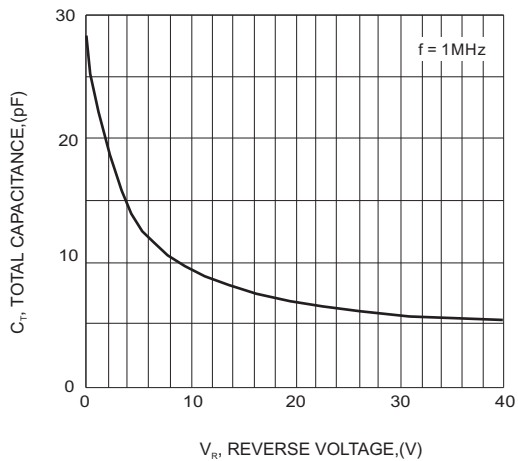
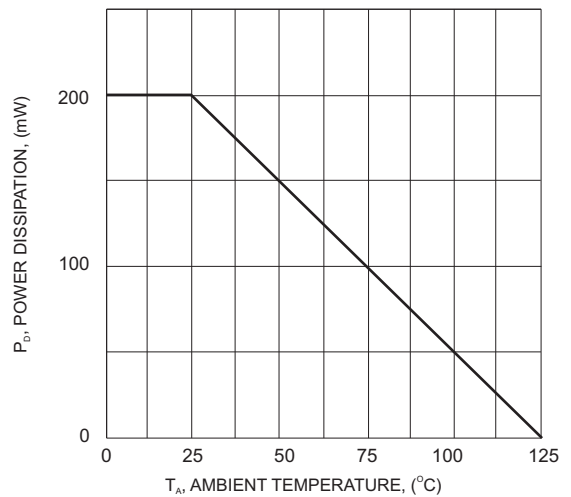


FIG.4 - TYPICAL POWER DERATING CURVE



SD103ATW

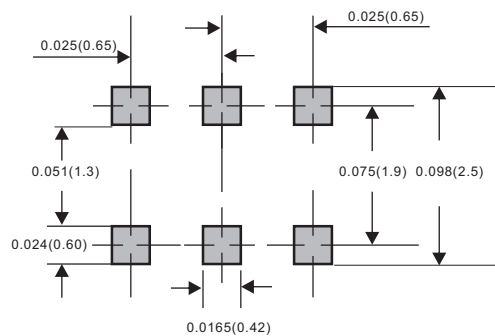
Pinning information

Pinning information

Type number	Marking code	Symbol
SD103ATW	KLL	

Suggested solder pad layout

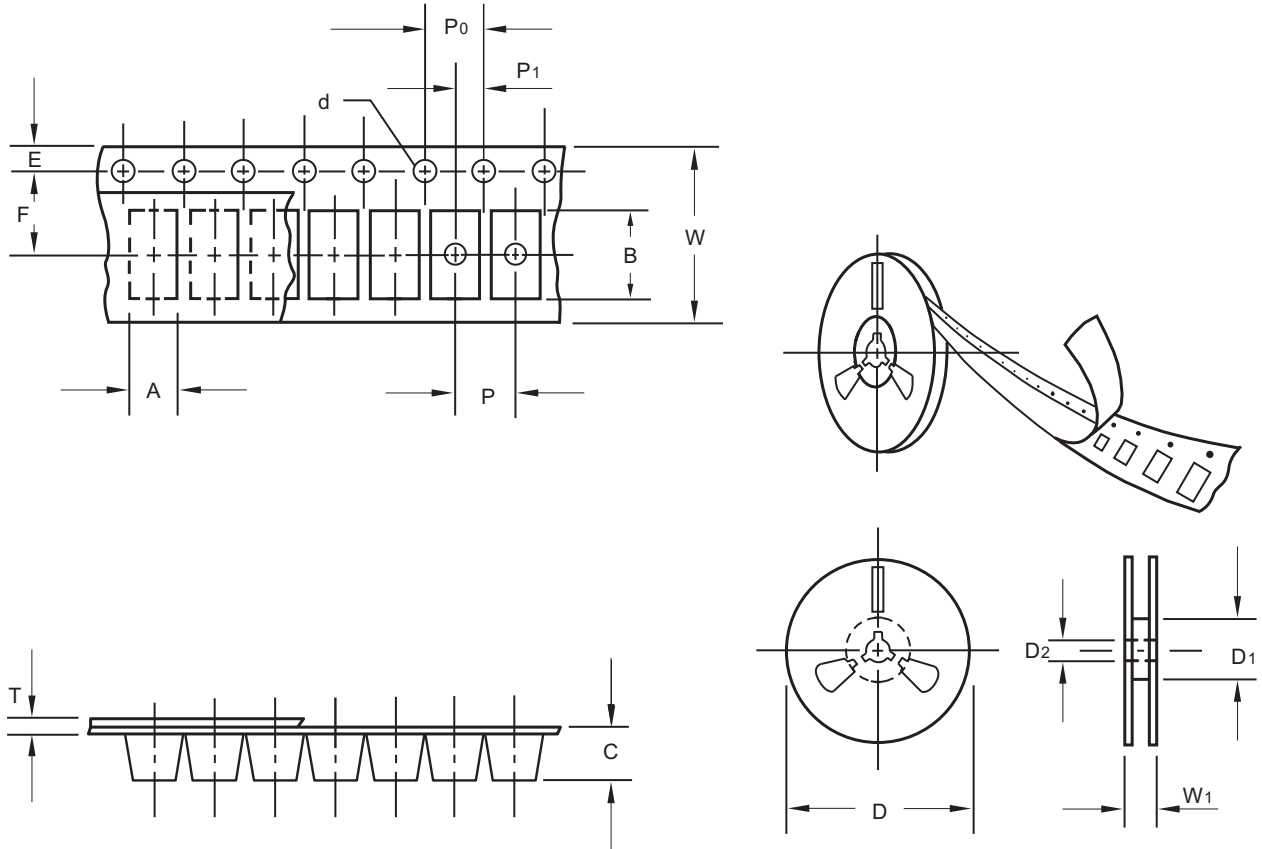
SOT-363



Dimensions in inches and (millimeters)

SD103ATW

Packing information



unit:mm

Item	Symbol	Tolerance	SOT-363
Carrier width	A	0.1	2.36
Carrier length	B	0.1	2.40
Carrier depth	C	0.1	1.20
Sprocket hole	d	0.1	1.50
13" Reel outside diameter	D	2.0	-
13" Reel inner diameter	D ₁	min	-
7" Reel outside diameter	D	2.0	178.00
7" Reel inner diameter	D ₁	min	62.00
Feed hole diameter	D ₂	0.5	13.00
Sprocket hole position	E	0.1	1.75
Punch hole position	F	0.1	3.50
Punch hole pitch	P	0.1	4.00
Sprocket hole pitch	P ₀	0.1	4.00
Embossment center	P ₁	0.1	2.00
Overall tape thickness	T	0.1	0.23
Tape width	W	0.3	8.00
Reel width	W ₁	1.0	11.40

Note: Devices are packed in accordance with EIA standard RS-481-A and specifications listed above.

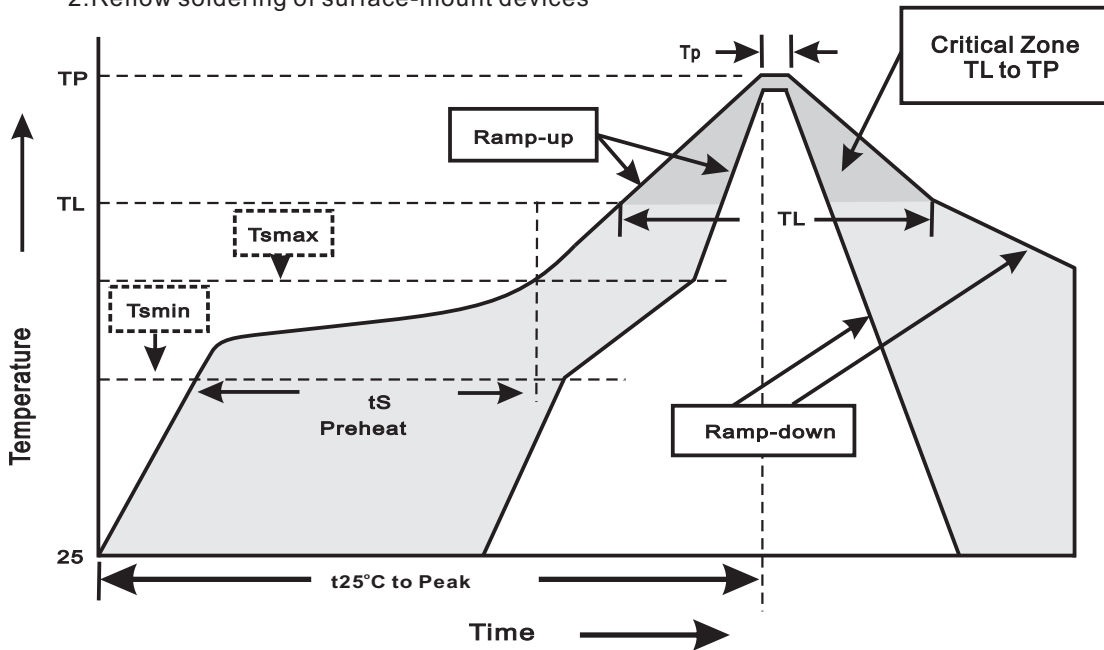
SD103ATW

Reel packing

PACKAGE	REEL SIZE	REEL (pcs)	COMPONENT SPACING (m/m)	BOX (pcs)	INNER BOX (m/m)	REEL DIA, (m/m)	CARTON SIZE (m/m)	CARTON (pcs)	APPROX. GROSS WEIGHT (kg)
SOT-363	7"	3000	4.0	30,000	183*183*123	178	382*262*387	240,000	9.50

Suggested thermal profiles for soldering processes

- 1.Storage environment: Temperature=5°C~40°C Humidity=55%±25%
- 2.Reflow soldering of surface-mount devices



3.Reflow soldering

Profile Feature	Soldering Condition
Average ramp-up rate(T _L to T _P)	<3°C/sec
Preheat -Temperature Min(T _{sm}) -Temperature Max(T _{smax}) -Time(min to max)(t _s)	150°C 200°C 60~120sec
T _{smax} to T _L -Ramp-upRate	<3°C/sec
Time maintained above: -Temperature(T _L) -Time(t _L)	217°C 60~260sec
Peak Temperature(T _P)	255°C-0/+5°C
Time within 5°C of actual Peak Temperature(t _p)	10~30sec
Ramp-down Rate	<6°C/sec
Time 25°C to Peak Temperature	<6minutes

SD103ATW**High reliability test capabilities**

Item Test	Conditions	Reference
1. Solder Resistance	at $260\pm 5^{\circ}\text{C}$ for $10\pm 2\text{sec}$. immerse body into solder $1/16''\pm 1/32''$	MIL-STD-750D METHOD-2031
2. Solderability	at $245\pm 5^{\circ}\text{C}$ for 5 sec.	MIL-STD-202F METHOD-208
3. High Temperature Reverse Bias	$V_R=80\%$ rate at $T_J=125^{\circ}\text{C}$ for 168 hrs.	MIL-STD-750D METHOD-1038
4. Forward Operation Life	Rated average rectifier current at $T_A=25^{\circ}\text{C}$ for 500hrs.	MIL-STD-750D METHOD-1027
5. Intermittent Operation Life	$T_A = 25^{\circ}\text{C}$, $I_F = I_O$ On state: power on for 5 min. off state: power off for 5 min. on and off for 500 cycles.	MIL-STD-750D METHOD-1036
6. Pressure Cooker	$15P_{SIE}$ at $T_A=121^{\circ}\text{C}$ for 4 hrs.	JESD22-A102
7. Temperature Cycling	-55°C to $+125^{\circ}\text{C}$ dwelled for 30 min. and transferred for 5min. total 10 cycles.	MIL-STD-750D METHOD-1051
8. Thermal Shock	0°C for 5 min. rise to 100°C for 5 min. total 10 cycles.	MIL-STD-750D METHOD-1056
9. Forward Surge	Peak Forward Current at $t=1\text{s}$	MIL-STD-750D METHOD-4066-2
10. Humidity	at $T_A=85^{\circ}\text{C}$, RH=85% for 1000hrs.	MIL-STD-750D METHOD-1021
11. High Temperature Storage Life	at 175°C for 1000 hrs.	MIL-STD-750D METHOD-1031