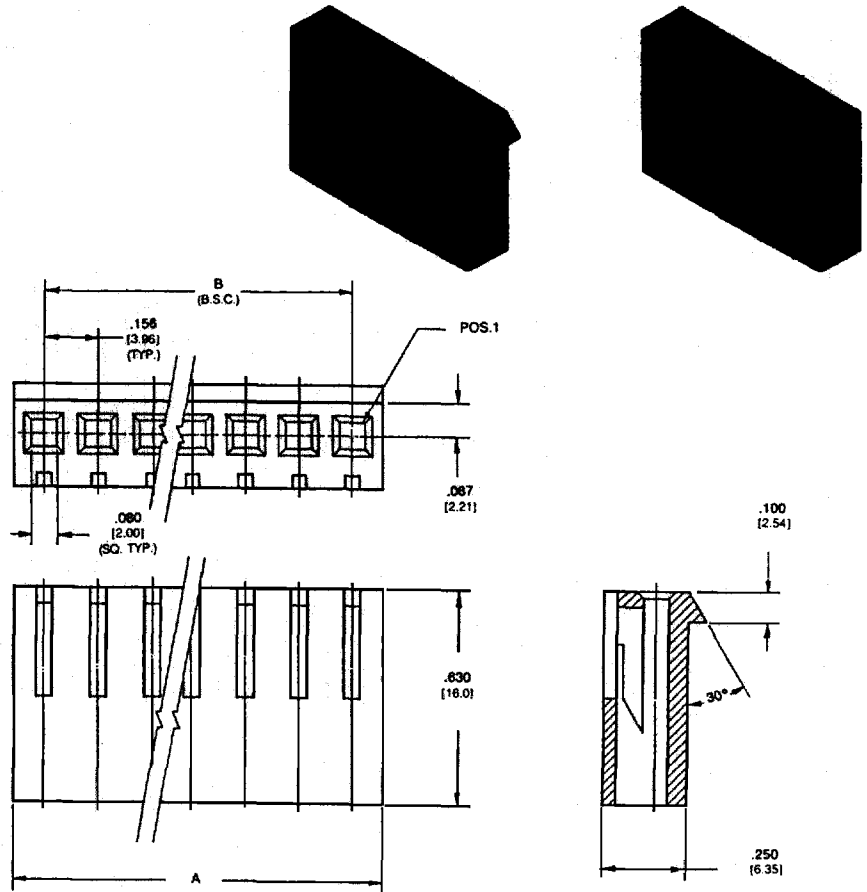


.156" (3.96mm) Center Crimp Terminal Housing



Dimensioning:
All dimensions in inches and millimetres. Values in brackets are metric equivalents. Charts contain dimensions in inches and millimetres.

Material—
Nylon 94V-2 Rated
Or Better, Natural
Mates With FOXCONN
HF07, 05, 18, Series
HD07, 05, 19.



Dimensional Information:

Circuits	Dim. A	Circuits	Dim. A	Circuits	Dim. A	Circuits	Dim. A	Circuits	Dim. A	Circuits	Dim. A
2	$.31 \pm .007$ 7.92 ± 0.18	6	$.33 \pm .010$ 23.67 ± 0.25	10	$1.56 \pm .012$ 39.52 ± 0.30	14	$2.18 \pm .014$ 55.37 ± 0.36	18	$2.804 \pm .009$ 71.22 ± 0.23	22	$3.428 \pm .018$ 87.07 ± 0.46
3	$.46 \pm .010$ 11.79 ± 0.25	7	$1.09 \pm .012$ 27.84 ± 0.30	11	$1.71 \pm .012$ 43.48 ± 0.30	15	$2.34 \pm .014$ 59.33 ± 0.36	19	$2.960 \pm .014$ 65.18 ± 0.36	23	$3.584 \pm .018$ 91.03 ± 0.46
4	$.62 \pm .010$ 15.75 ± 0.25	8	$1.24 \pm .012$ 31.60 ± 0.30	12	$1.87 \pm .012$ 47.45 ± 0.30	16	$2.492 \pm .007$ 63.30 ± 0.18	20	$3.116 \pm .018$ 79.15 ± 0.46	24	$3.740 \pm .018$ 95.00 ± 0.46
5	$.78 \pm .010$ 19.71 ± 0.25	9	$1.40 \pm .012$ 35.56 ± 0.36	13	$2.02 \pm .014$ 51.41 ± 0.36	17	$2.648 \pm .008$ 67.26 ± 0.20	21	$3.272 \pm .018$ 83.11 ± 0.62		

Ordering Information:

Circuits	With Locking Ramp	Without Locking Ramp	Circuits	With Lock Ramp	Without Lock Ramp	Circuits	With Lock Ramp	Without Lock Ramp
2	SC01029-P2	SC01029	10	SC01109-P2	SC01109	18	SC01189-P2	SC01189
3	SC01039-P2	SC01039	11	SC01119-P2	SC01119	19	SC01199-P2	SC01199
4	SC01049-P2	SC01049	12	SC01129-P2	SC01129	20	SC01209-P2	SC01209
5	SC01059-P2	SC01059	13	SC01139-P2	SC01139	21	SC01219-P2	SC01219
6	SC01069-P2	SC01069	14	SC01149-P2	SC01149	22	SC01229-P2	SC01229
7	SC01079-P2	SC01079	15	SC01159-P2	SC01159	23	SC01239-P2	SC01239
8	SC01089-P2	SC01089	16	SC01169-P2	SC01169	24	SC01249-P2	SC01249
9	SC01099-P2	SC01099	17	SC01179-P2	SC01179	25		

NOTES: Optional polarizing key is available-contact factory.